

**READ AND FOLLOW ALL SAFETY INSTRUCTIONS!  
SAVE THESE INSTRUCTIONS AND DELIVER TO OWNER AFTER INSTALLATION**

- To reduce the risk of death, personal injury or property damage from fire, electric shock, falling parts, cuts/abrasions, and other hazards please read all warnings and instructions included with and on the fixture box and all fixture labels.
- Before installing, servicing, or performing routine maintenance upon this equipment, follow these general precautions.
- Installation and service of luminaires should be performed by a qualified licensed electrician.
- Maintenance of the luminaires should be performed by person(s) familiar with the luminaires' construction and operation and any hazards involved. Regular fixture maintenance programs are recommended.
- It will occasionally be necessary to clean the outside of the refractor/lens. Frequency of cleaning will depend on ambient dirt level and minimum light output which is acceptable to user. Refractor/lens should be washed in a solution of warm water and any mild, non-abrasive household detergent, rinsed with clean water and wiped dry. Should optical assembly become dirty on the inside, wipe refractor/lens and clean in above manner, replacing damaged gaskets as necessary.
- **DO NOT INSTALL DAMAGED PRODUCT!** This luminaire has been properly packed so that no parts should have been damaged during transit. Inspect to confirm. Any part damaged or broken during or after assembly should be replaced.
- **Recycle:** For information on how to recycle LED electronic products, please visit [www.epa.gov](http://www.epa.gov).
- These instructions do not purport to cover all details or variations in equipment nor to provide every possible contingency to meet in connection with installation, operation, or maintenance. Should further information be desired or should particular problems arise which are not covered sufficiently for the purchaser's or owner's purposes, this matter should be referred to Acuity Brands Lighting, Inc.

<div style="display: flex; align-items: center; margin-bottom: 10px;"> <div style="border: 1px solid black; padding: 5px; text-align: center; flex-grow: 1;"> <p><b>WARNING</b> RISK OF ELECTRIC SHOCK</p> </div> </div> <ul style="list-style-type: none"> <li>✓ Disconnect or turn off power before installation or servicing.</li> <li>✓ Verify that supply voltage is correct by comparing it with the luminaire label information.</li> <li>✓ Make all electrical and grounded connections in accordance with the National Electrical Code (NEC) and any applicable local code requirements.</li> <li>✓ All wiring connections should be capped with UL approved recognized wire connectors.</li> </ul>	<div style="display: flex; align-items: center; margin-bottom: 10px;"> <div style="border: 1px solid black; padding: 5px; text-align: center; flex-grow: 1;"> <p><b>WARNING</b> RISK OF BURN</p> </div> </div> <ul style="list-style-type: none"> <li>✓ Allow lamp/fixture to cool before handling. Do not touch enclosure or light source.</li> <li>✓ Do not exceed maximum wattage marked on luminaire label.</li> <li>✓ Follow all manufacturer's warnings, recommendations and restrictions for: driver type, burning position, mounting locations/methods, replacement and recycling.</li> </ul>
------------------------------------------------------------------------------------------------------------------------------------------------------------------------------------------------------------------------------------------------------------------------------------------------------------------------------------------------------------------------------------------------------------------------------------------------------------------------------------------------------------------------------------------------------------------------------------------------------------------------------------------------------------------------------------------------------------------	-----------------------------------------------------------------------------------------------------------------------------------------------------------------------------------------------------------------------------------------------------------------------------------------------------------------------------------------------------------------------------------------------------------------------------------------------------------------------------------------------------------------------------------------------------------------------------------------------------------

<div style="display: flex; align-items: center; margin-bottom: 10px;"> <div style="border: 1px solid black; padding: 5px; text-align: center; flex-grow: 1;"> <p><b>CAUTION</b> RISK OF INJURY</p> </div> </div> <ul style="list-style-type: none"> <li>✓ Wear gloves and safety glasses at all times when removing luminaire from carton, installing, servicing or performing maintenance.</li> <li>✓ Avoid direct eye exposure to the light source while it is on.</li> </ul>	<div style="display: flex; align-items: center; margin-bottom: 10px;"> <div style="border: 1px solid black; padding: 5px; text-align: center; flex-grow: 1;"> <p><b>CAUTION</b> RISK OF FIRE</p> </div> </div> <ul style="list-style-type: none"> <li>✓ Keep combustible and other materials that can burn, away from lamp/lens.</li> <li>✓ Do not operate in close proximity to persons, combustible materials or substances affected by heat or drying.</li> </ul>
-------------------------------------------------------------------------------------------------------------------------------------------------------------------------------------------------------------------------------------------------------------------------------------------------------------------------------------------------------------------------------------------------------------------------------------------------------------------------------------	--------------------------------------------------------------------------------------------------------------------------------------------------------------------------------------------------------------------------------------------------------------------------------------------------------------------------------------------------------------------------------------------------------------------------------------------------------------------------

LED IMPORTANT SAFETY INSTRUCTIONS



CAUTION: RISK OF PRODUCT DAMAGE

- ✓ Never connect components under load.
- ✓ Do not mount or support these fixtures in a manner that can cut the outer jacket or damage wire insulation.
- ✓ Controls for dimming, auto-sensing, or remote control of a luminaire that are not factory-wired to the luminaire must be checked for compatibility with the luminaire prior to installation. LED fixtures must be powered directly off a switched circuit.
- ✓ Unless individual product specifications deem otherwise: Do not restrict fixture ventilation. Allow for some volume of airspace around fixture. Avoid covering LED fixtures with insulation, foam, or other material that will prevent convection or conduction cooling.
- ✓ Unless individual product specifications deem otherwise: Do not exceed fixtures maximum ambient temperature.
- ✓ Only use fixture in its intended location.
- ✓ LED products are Polarity Sensitive. Ensure proper Polarity before installation.
- ✓ Electrostatic Discharge (ESD): ESD can damage LED fixtures. Personal grounding equipment must be worn during all installation or servicing of the unit.
- ✓ Do not touch individual electrical components as this can cause ESD, shorten lamp life, or alter performance.
- ✓ Some components inside the fixture may not be serviceable. In the unlikely event your unit may require service, stop using the unit immediately and contact an ABL representative for assistance.
- ✓ Always read the fixtures complete installation instructions prior to installation for any additional fixture specific warnings.

**Please see product specific installation instructions for additional warnings or any applicable FCC or other regulatory statements.**

**Failure to follow any of these instructions could void product warranties. For a complete listing of product Terms and Conditions, please visit [www.acuitybrands.com](http://www.acuitybrands.com).**

<b>Our Brands</b>	<b>Indoor/Outdoor</b> Lithonia Lighting Carandini Holophane RELOC Light Concepts	<b>Indoor Lighting</b> Gotham Mark Architectural Lighting Peerless Renaissance Lighting Winona Lighting	<b>Outdoor Lighting</b> American Electric Lighting Antique Street Lamps Hydrel Tersen	<b>Controls</b> DARK TO LIGHT LC&D ROAM Sensor Switch Synergy	<b>Daylighting</b> SunOptics
-------------------	-------------------------------------------------------------------------------------------------	------------------------------------------------------------------------------------------------------------------------	---------------------------------------------------------------------------------------------------	------------------------------------------------------------------------------	---------------------------------

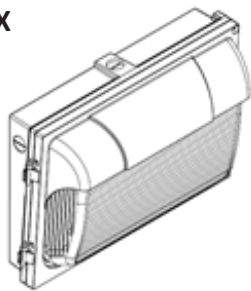
Acuity Brands Lighting, Inc. assumes no responsibility for claims arising out of improper or careless installation or handling of its products.

ABL LED General Warnings, Form No. 503.203

© 2010 Acuity Brands Lighting, Inc. All rights reserved. 12/01/10

## Installation Instructions

TWX



5 year limited warranty

**DELIVERY:** Upon receipt of fixture and accessories (packed separately), thoroughly inspect for any freight damage. All damage should be reported to the delivery carrier. Compare the catalog description listed on the packing slip with the fixture label on the inside of the housing to be sure you have received the correct merchandise.

This device complies with Part 15 of the FCC Rules. Operation is subject to the following two conditions: (1) this device may not cause harmful interference, and (2) this device must accept any interference received, including interference that may cause undesired operation.

**Tools Required: 1/8" Allen wrench, Flathead Screwdriver, Philips Screwdriver (NPT Conduit only)**

**Optional: Silicone Sealant**

**This wall pack is designed to be mounted to a recessed junction box or directly to the wall for wiring via surface conduit.**

Installing the luminaire:

1. Loosen the 2 captive screws in the front housing, using the 1/8" Allen wrench.
2. Separate the front door from the back housing. The door needs to be opened more than 90° to disengage the hinges. Set the door aside on a clean surface, to avoid any damage or scratches.
3. Prepare the back housing for installation by removing the center knock out and mounting knock out holes as needed (Page 4, Figure 1). Be careful not to touch the LEDs or damage the internal components in any way.
4. Feed the supply wires through the center knock out hole.
5. Install the back housing directly to the wall (recommended) using the wall anchor holes and appropriate screws (not provided). When installing to a junction box, make sure it is rated for the weight of the luminaire.
6. Apply silicone sealant (not provided) covering the mounting holes and hardware to prevent moisture entry.

**For Wet Location compliance, fixture must be properly sealed.**

Fixture is designed to be water tight, but for extra protection, apply a bead of silicone caulking (not provided) to the perimeter of the fixture between the housing and the wall (top and two sides) leaving the bottom side clear of any caulking. Sealant will prevent any water coming down the wall from entering the fixture. Note: Do not apply sealant to bottom side of fixture.

**Make sure all wiring access holes are sealed with weatherproof silicone sealant (not included).**

7. Make supply connections.
8. If provided with an ALO device, adjust the dial to the required lumen level (use the ALO label on the backside of the door as reference), by turning it using a small flat head screwdriver.
9. Replace front cover. Make sure the hinges are engaged properly.
10. Tighten the 2 captive screws (30-35in lbs). Do not over tighten. Over tightening will cause stripping and void all warranties.



An Acuity Brands Company

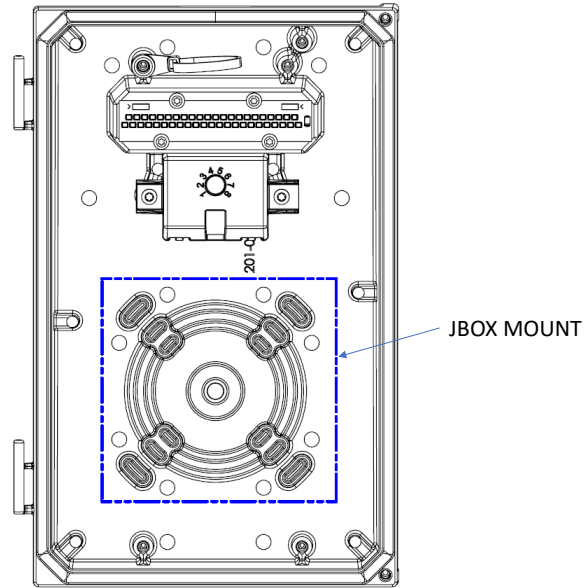
©2019-2020 Acuity Brands Lighting, Inc.  
All Rights Reserved. Rev. 2022

Lithonia Lighting Outdoor  
One Lithonia Way, Conyers, GA 30012  
Phone: 1-800-705-SERV (7378)  
www.lithonia.com

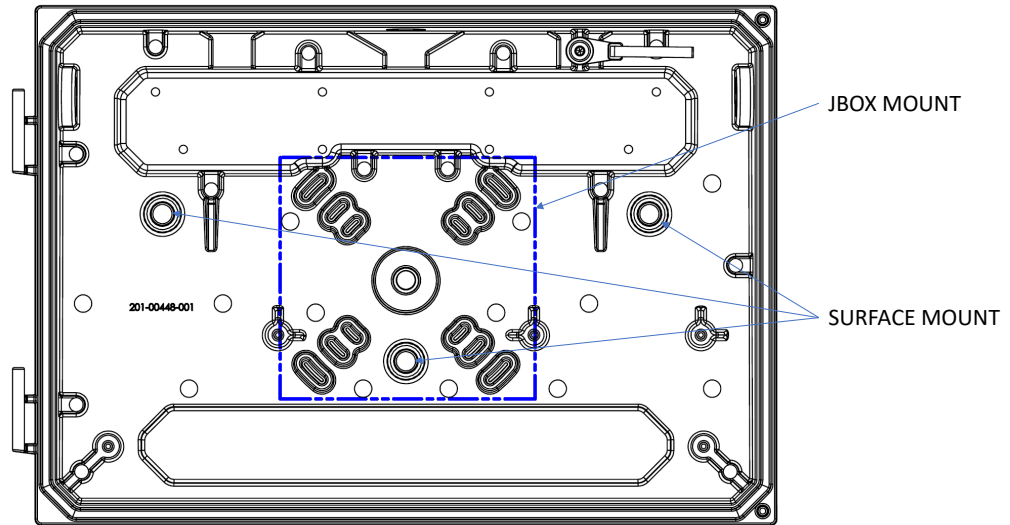
Part Number: 912-00181-001 REV B  
Revision Date: 7/15/22

Fig. 1.

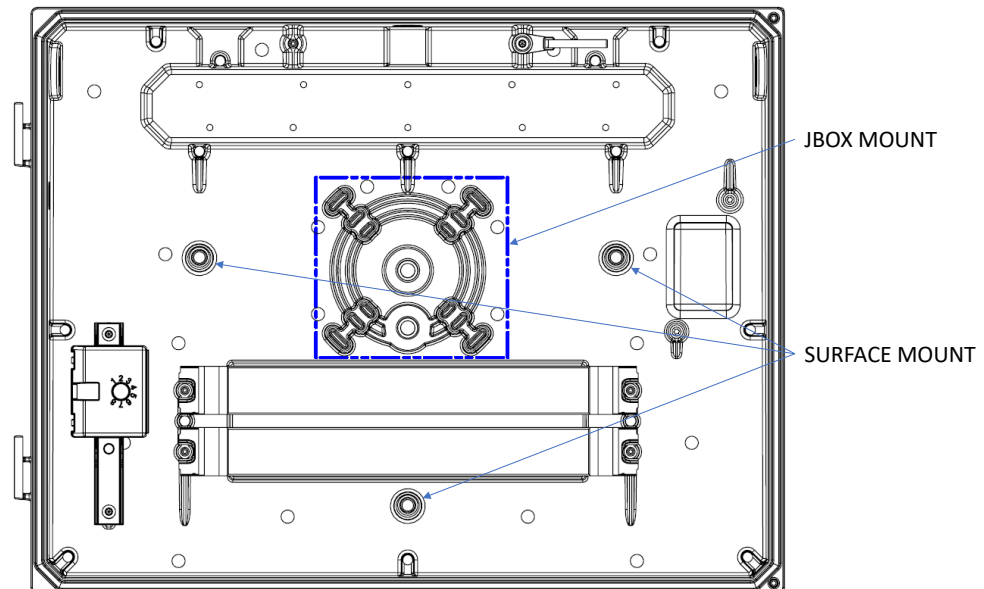
TWX1



TWX2



TWX3



## Installation Instructions

### TWX

Surface conduit application:

1. Loosen the 2 captive screws in the front housing, using the 1/8" Allen wrench.
2. Separate the front door from the back housing. The door needs to be opened more than 90° to disengage the hinges. Set the door aside on a clean surface, to avoid any damage or scratches.
3. Prepare the back housing for installation by removing the appropriate conduit plug (figure 2) and mounting knock out holes as needed. Be careful not to touch the LEDs or damage the internal components in any way.
4. Install the back housing directly to the wall using the wall anchor holes and appropriate screws (not provided).
5. Apply silicone sealant covering the mounting holes and hardware to prevent moisture entry.
6. Connect liquid-tight 1/2" conduit fitting (not provided) into any of the conduit entry positions. To ensure proper seal, installer may add liquid tight sealant (not provided) to conduit threads. Misapplication or overtightening of conduit fittings will result in field failure.
7. Make supply connections.
8. If provided with an ALO device, adjust the dial to the required lumen level (use the ALO label on the backside of the door as reference), by turning it using a small flat head screwdriver.
9. Replace front cover. Make sure the hinges are engaged properly.
10. Tighten the 2 captive screws (30-35in lbs). Do not over tighten. Over tightening will cause stripping and void all warranties.

### For Wet Location compliance, fixture must be properly sealed.

Fixture is designed to be water tight, but for extra protection, apply a bead of silicone caulking (not provided) to the perimeter of the fixture between the housing and the wall (top and two sides) leaving the bottom side clear of any caulking. Sealant will prevent any water coming down the wall from entering the fixture. Note: Do not apply sealant to bottom side of fixture.

**Make sure all wiring access holes are sealed with weatherproof silicone sealant (not included).**

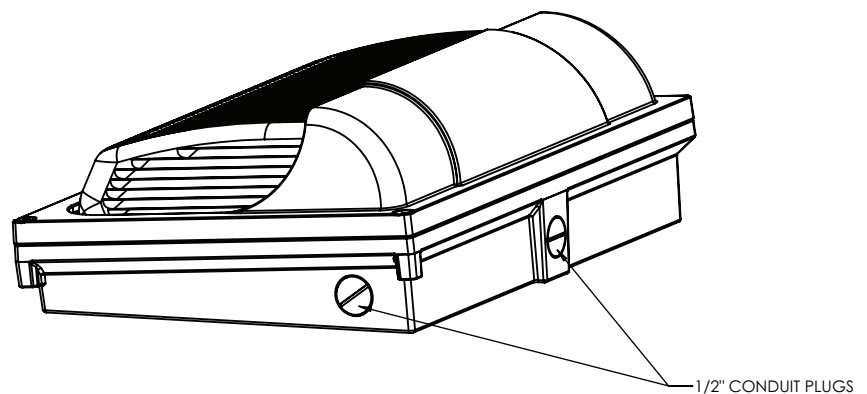


Fig. 2. Conduit entry locations

Troubleshooting: If this fixture fails to operate properly, check to make sure: • The fixture is wired correctly. • There are no loose connections. • The fixture is grounded correctly. • The line voltage at the fixture is correct. If all these variables have been checked and the fixture still does not operate as specified, contact your local Lithonia Lighting distributor.

## VEUILLEZ LIRE ET RESPECTER TOUTES LES CONSIGNES DE SÉCURITÉ! CONSERVER CES CONSIGNES ET LES REMETTRE AU PROPRIÉTAIRE APRÈS L'INSTALLATION

- Afin de réduire les risques de blessure, d'accident mortel ou de dommage matériel en raison d'un incendie, de décharge électrique, de chute de pièces, de coupure ou d'abrasion ou de tout autre type de risque, il est essentiel de lire toutes les instructions et tous les avertissements compris dans et sur la boîte du luminaire ainsi que sur toutes les étiquettes.
- Avant l'installation ou l'entretien particulier ou courant de cet équipement, tenir compte de ces précautions générales.
- L'installation, l'entretien et les réparations des luminaires ne doivent être effectués que par un électricien diplômé et qualifié.
- L'entretien doit être effectué par des personnes qui connaissent bien la fabrication et l'utilisation des luminaires et tous les risques qu'ils comportent. Il est recommandé de mettre en place des programmes périodiques d'entretien.
- À l'occasion, il sera nécessaire de nettoyer la partie extérieure du réflecteur ou de la lentille. La fréquence du nettoyage dépend de la saleté présente dans l'environnement et du rendement lumineux minimal acceptable pour l'utilisateur. Le réflecteur et la lentille doivent être lavés dans une solution d'eau tiède avec un détergent ménager doux et non-abrasif, rincés à l'eau claire puis essuyés pour être séchés. En cas d'accumulation de saleté à l'intérieur de l'assemblage optique, essuyer le réflecteur ou la lentille et nettoyer comme indiqué ci-dessus, en remplaçant les joints endommagés au besoin.
- **N'INSTALLEZ PAS UN PRODUIT ENDOMMAGÉ!** Ce luminaire a été adéquatement emballé, de sorte qu'aucune pièce ne devrait avoir subi de dommage pendant le transport. Inspecter toutes les pièces pour vérifier qu'elles sont en bon état. Toute pièce endommagée ou brisée pendant ou après l'assemblage doit être remplacée.
- Recyclage : Pour obtenir des renseignements sur la manière de recycler les produits électroniques à DEL, veuillez visiter le site [www.epa.gov](http://www.epa.gov).
- Ces instructions ne sont pas censées traiter de tous les détails ou de toutes les variations de l'équipement. Elles ne fournissent pas les informations sur toutes les éventualités possibles en ce qui concerne l'installation, l'utilisation ou l'entretien. Pour obtenir plus d'informations ou pour résoudre des problèmes qui sont insuffisamment traités dans les consignes de sécurité par rapport aux besoins de l'acheteur ou du propriétaire, veuillez soumettre ces questions à Acuity Brands Lighting, Inc.



### AVERTISSEMENT RISQUE DE DÉCHARGE ÉLECTRIQUE

- ✓ Débrancher ou couper l'alimentation électrique avant l'installation ou l'entretien.
- ✓ Vérifier que la tension d'alimentation est adéquate en la comparant avec les informations imprimées sur l'étiquette du luminaire.
- ✓ Effectuer l'ensemble des raccordements électriques et des mises à la terre conformément au Code national de l'électricité (NEC) et à toutes les exigences des codes locaux applicables.
- ✓ Tous les raccordements câblés doivent être isolés avec des connecteurs reconnus et certifiés UL.



### AVERTISSEMENT RISQUE DE BRÛLURE

- ✓ Laisser la lampe ou la fixation refroidir avant de la manipuler. Ne pas toucher l'enceinte ou la source de lumière.
- ✓ Ne pas dépasser la puissance électrique maximum indiquée sur l'étiquette de la lampe.
- ✓ Respecter les avertissements, les recommandations et les restrictions du fabricant, notamment pour : le type de circuit, la position de fonctionnement, les méthodes et les endroits de montage, le remplacement et le recyclage.



### MISE EN GARDE RISQUE DE BLESSURE

- ✓ Porter des gants et des lunettes de protection à tout moment pour sortir le luminaire de la boîte, l'installer, le réparer ou en faire l'entretien.
- ✓ Éviter le contact direct de la source de lumière avec les yeux lorsque le luminaire est allumé.



### MISE EN GARDE RISQUE D'INCENDIE

- ✓ Maintenir toutes les matières combustibles ou susceptibles de brûler à l'écart des lampes et des optiques.
- ✓ Ne pas utiliser le dispositif à proximité de personnes, de matériaux combustibles ou de substances affectées par la chaleur ou par le séchage.



**ATTENTION : RISQUE D'ENDOMMAGEMENT DU PRODUIT**

- ✓ Ne jamais connecter des composants sous tension.
- ✓ Ne pas monter ni soutenir ces luminaires d'une manière qui pourrait couper la gaine extérieure ou endommager l'isolation des câbles.
- ✓ Les commandes pour la gradation, l'autodétection ou la télécommande d'un luminaire qui ne sont pas câblées en usine doivent être vérifiées avant l'installation. Les luminaires DEL doivent être alimentés directement hors d'un circuit à interrupteur.
- ✓ À moins que des spécifications particulières applicables au produit ne l'exigent : Ne pas limiter la ventilation du luminaire. Laisser un espace libre suffisant autour du luminaire. Éviter de couvrir les luminaires DEL avec un isolant, de la mousse ou tout autre matériau pouvant limiter le refroidissement par conduction ou par convection.
- ✓ À moins que des spécifications particulières applicables au produit ne l'exigent : Ne pas dépasser la température ambiante maximale à laquelle le luminaire peut être exposé.
- ✓ N'utiliser le luminaire qu'à son emplacement prévu.
- ✓ Les produits DEL sont sensibles à la polarité. Vérifier la polarité correcte avant l'installation.
- ✓ Décharge électrostatique (DES) : Une DES peut endommager les luminaires DEL. Un équipement personnel de mise à la terre doit être porté lors de tout montage ou de tout entretien de l'unité.
- ✓ Ne pas toucher les composants électriques individuels, car cela peut causer une DES, réduire la durée de vie de la lampe ou altérer son rendement.
- ✓ Certains composants internes des luminaires peuvent ne pas être réparables. Dans le cas peu probable où l'appareil aurait besoin d'une réparation, cesser immédiatement de l'utiliser et faire appel à un représentant ABL.
- ✓ Toujours lire toutes les instructions d'installation des appareils avant l'installation pour connaître tout avertissement spécifique à l'appareil.

Voir les instructions de montage propres au produit pour connaître tout avertissement complémentaire ou toute disposition réglementaire de la Commission fédérale des communications (FCC) ou autre à observer.

Le non-respect de ces instructions pourrait annuler les garanties du produit. Pour consulter la liste complète des conditions d'utilisation du produit, veuillez visiter le site [www.acuitybrands.com](http://www.acuitybrands.com).

Nos marques	Intérieur/extérieur	Éclairage intérieur	Éclairage extérieur	Commandes	Éclairage de jour
	Lithonia Lighting	Gotham	American Electric Lighting	DARK TO LIGHT	SunOptics
	Carandini	Mark Architectural Lighting	Antique Street Lamps	LC&D	
	Holophane	Peerless	Hydrel	ROAM	
	RELOC	Renaissance Lighting	Tersen	Sensor Switch	
	Light Concepts	Winona Lighting			
				Synergy	

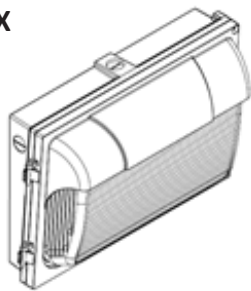
Acuity Brands Lighting, Inc. décline toute responsabilité pour les réclamations résultant d'une installation incorrecte ou d'une manipulation imprudente de ses produits.

Avertissements généraux DEL ABL, formulaire n° 503.203

© 2010 Acuity Brands Lighting, Inc. Tous droits réservés. 01/12/2010

## Instructions d'installation

### TWX



Garantie limitée de 5 ans

**RÉCEPTION :** Lors de la réception du luminaire et des accessoires (emballés séparément), procéder à une inspection minutieuse à la recherche de dommages éventuels subis lors du transport. Tous les dommages doivent être signalés au transporteur livreur. Comparez la description du catalogue indiquée sur le bordereau d'emballage avec l'étiquette du luminaire à l'intérieur du boîtier afin de vous assurer que vous avez reçu les bonnes marchandises.

Ce dispositif est conforme à la partie 15 des règles de la Commission fédérale des communications. Le fonctionnement est assujéti aux deux conditions suivantes : (1) ce dispositif ne doit générer aucune interférence préjudiciable, et (2) ce dispositif doit accepter n'importe quelle interférence reçue, y compris les interférences pouvant entraîner un fonctionnement non souhaité.

Outils nécessaires : clé hexagonale 1/8 po, tournevis plat, tournevis Phillips (conduit NPT uniquement) Facultatif : agent d'étanchéité à base de silicone

Cette applique murale est conçue pour être montée sur une boîte de jonction encastrée ou directement sur le mur avec un câblage à travers un conduit de surface.

#### Installation du luminaire :

1. Desserrez les 2 vis imperdables du boîtier avant, à l'aide de la clé Allen de 1/8 po.
2. Séparez la porte avant du boîtier arrière. La porte doit être ouverte à plus de 90° pour pouvoir se dégager des charnières. Mettez la porte de côté sur une surface propre afin d'éviter tout dommage ou égratignure.
3. Préparez le boîtier arrière pour l'installation en défonçant le trou central et les trous de fixation au besoin (Page 4, Figure 1). Veillez à ne pas toucher les DEL ni à endommager les composants internes de quelque manière que ce soit.
4. Faites passer les fils d'alimentation par le trou central.
5. Installez le boîtier arrière directement sur le mur (recommandé) en utilisant les trous d'ancrage muraux et les vis appropriées (non fournies). Lors de l'installation sur une boîte de jonction, assurez-vous que celle-ci est adaptée au poids du luminaire.
6. Appliquez l'agent d'étanchéité à base de silicone (non fourni) de manière à recouvrir les trous de montage et la quincaillerie pour empêcher l'humidité d'y pénétrer.

Pour respecter les normes relatives au montage dans des endroits humides, le luminaire doit être hermétiquement scellé. Le luminaire est conçu pour être étanche à l'eau, mais pour encore plus de protection, appliquez des perles de silicone (non fournies) sur le contour du luminaire, entre le boîtier et le mur (sur le dessus et les deux côtés), en laissant le bord inférieur exempt de calfeutrage. L'agent d'étanchéité empêche l'eau descendant le long du mur de pénétrer à l'intérieur du luminaire. Remarque : ne pas appliquer l'agent d'étanchéité sur le bord inférieur du luminaire.

Assurez-vous que les trous d'accès au câblage sont scellés avec un agent d'étanchéité imperméable à base de silicone (non inclus).

7. Effectuez les raccordements d'alimentation.
8. Si le luminaire est équipé d'un dispositif de RLR (rendement lumineux réglable), réglez le cadran au niveau de lumen requis (utilisez l'étiquette RLR au dos de la porte comme référence), en le tournant à l'aide d'un petit tournevis à tête plate.
9. Remplacez le couvercle avant. Assurez-vous que les charnières sont correctement enclenchées.
10. Serrez les 2 vis imperdables (30 à 35 po-lb). Ne serrez pas trop fort. Un serrage excessif entraînera un arrachement de filetage et annulera toutes les garanties.



An Acuity Brands Company

©2019-2020 Acuity Brands Lighting, Inc.

Tous droits réservés.

Lithonia Lighting Outdoor  
One Lithonia Way, Conyers, GA 30012  
Téléphone : 1-800-705-SERV (7378)  
www.lithonia.com

Numéro de la pièce : 912-00181-001 REV B  
Date de révision : 7/15/22



## Instructions d'installation

### TWX

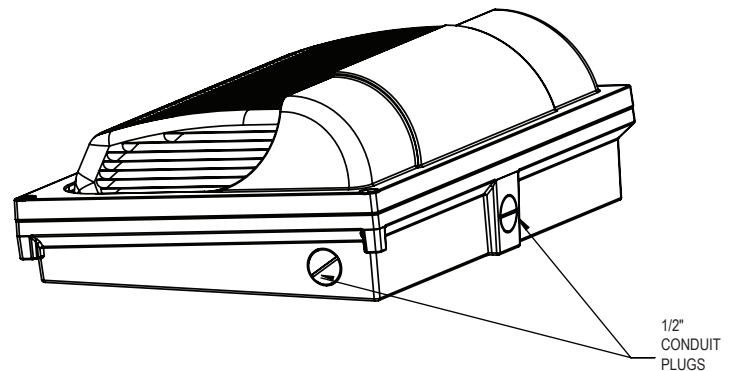
Utilisation avec des conduits de surface :

1. Desserrez les 2 vis imperdables du boîtier avant, à l'aide de la clé Allen de 1/8 po.
2. Séparez la porte avant du boîtier arrière. La porte doit être ouverte à plus de 90° pour pouvoir se dégager des charnières. Mettez la porte de côté sur une surface propre afin d'éviter tout dommage ou égratignure.
3. Préparez le boîtier arrière pour l'installation en retirant le bouchon de conduit approprié (figure 2) et en fixant les trous défonceables au besoin. Veillez à ne pas toucher les DEL ni à endommager les composants internes de quelque manière que ce soit.
4. Installez le boîtier arrière directement sur le mur en utilisant les trous d'ancrage muraux et les vis appropriées (non fournies).
5. Appliquez l'agent d'étanchéité à base de silicone (non fourni) de manière à recouvrir les trous de montage et la quincaillerie pour empêcher l'humidité d'y pénétrer.
6. Connectez le raccord de conduit de 1/2 po étanche aux liquides (non fourni) à l'une des positions d'entrée du conduit. Pour assurer une étanchéité appropriée, l'installateur peut ajouter un agent étanche aux liquides (non fourni) sur les filets de conduit. Une application incorrecte ou un serrage excessif des raccords de conduit entraînera une défaillance sur site.
7. Effectuez les raccordements d'alimentation.
8. Si le luminaire est équipé d'un dispositif de RLR (rendement lumineux réglable), réglez le cadran au niveau de lumen requis (utilisez l'étiquette RLR au dos de la porte comme référence), en le tournant à l'aide d'un petit tournevis à tête plate.
9. Remplacez le couvercle avant. Assurez-vous que les charnières sont correctement enclenchées.
10. Serrez les 2 vis imperdables (30 à 35 po-lb). Ne serrez pas trop fort. Un serrage excessif entraînera un arrachement de filetage et annulera toutes les garanties.

Pour respecter les normes relatives au montage dans des endroits humides, le luminaire doit être hermétiquement scellé. Le luminaire est conçu pour être étanche à l'eau, mais pour encore plus de protection, appliquez des perles de silicone (non fournies) sur le contour du luminaire, entre le boîtier et le mur (sur le dessus et les deux côtés), en laissant le bord inférieur exempt de calfeutrage. L'agent d'étanchéité empêche l'eau descendant le long du mur de pénétrer à l'intérieur du luminaire. Remarque : ne pas appliquer l'agent d'étanchéité sur le bord inférieur du luminaire.

Assurez-vous que les trous d'accès au câblage sont scellés avec un agent d'étanchéité imperméable à base de silicone (non inclus).

Fig. 2. Emplacements des trous d'entrée de conduit



Dépannage : Si ce dispositif ne fonctionne pas correctement, vérifiez que : • Le luminaire est bien câblé. • Il n'y a pas de connexions desserrées. • Le luminaire est bien mis à la terre. • La tension de la ligne au niveau du luminaire est appropriée. Si vous avez vérifié tous ces aspects et que le dispositif ne fonctionne toujours pas comme indiqué, communiquez avec votre distributeur Lithonia Lighting local.

## ¡LEA Y SIGA TODAS LAS INSTRUCCIONES DE SEGURIDAD! GUARDE ESTAS INSTRUCCIONES Y ENTRÉGUESELAS AL PROPIETARIO DESPUÉS DE LA INSTALACIÓN

- Para reducir el riesgo de muerte, lesiones personales o daño a la propiedad que pueda surgir de incendios, descargas eléctricas, caída de partes, cortes, abrasiones y otros peligros, lea todas las advertencias e instrucciones incluidas en la caja o su interior, además de las etiquetas del montaje.
- Antes de instalar, reparar o realizar el mantenimiento de rutina en este equipo, siga estas precauciones generales.
- La instalación y la reparación de las luminarias deben estar a cargo de un electricista calificado autorizado.
- El mantenimiento de las luminarias debe ser realizado por una persona familiarizada con la fabricación y el funcionamiento de este producto y con los peligros relacionados. Se recomienda seguir programas de mantenimiento regular de las luminarias.
- En ocasiones, será necesario limpiar el exterior del refractor o la lente. La frecuencia de la limpieza dependerá del nivel de suciedad ambiental y de la salida de luz mínima que sea aceptable para el usuario. Lave el refractor o la lente con una solución de agua tibia y detergente de uso doméstico, suave y no abrasivo; luego, enjuáguelos con agua limpia y séquelos. En caso de que se ensucie el interior del ensamblaje óptico, limpie el refractor o la lente de la forma indicada anteriormente y reemplace las juntas dañadas según sea necesario.
- ¡NO INSTALE EL PRODUCTO DAÑADO! Esta luminaria se empaquetó adecuadamente de modo tal que las piezas no resulten dañadas durante su transporte. Inspecciónelas para confirmarlo. Cualquier parte dañada o rota durante o después del ensamblaje debe reemplazarse.
- Reciclado: para obtener información sobre cómo reciclar productos electrónicos de led, visite [www.epa.gov](http://www.epa.gov).
- Estas instrucciones no pretenden cubrir todos los detalles o las variaciones de los equipos ni abarcar todas las posibles eventualidades relacionadas con la instalación, el funcionamiento o el mantenimiento. Si necesita más información o surgen problemas específicos que no estén debidamente explicados para los fines del comprador o propietario, comuníquese con Acuity Brands Lighting, Inc.



### ADVERTENCIA RIESGO DE DESCARGA ELÉCTRICA

- ✓ Desconecte o interrumpa el suministro eléctrico antes de realizar la instalación o efectuar reparaciones.
- ✓ Compare el voltaje de alimentación con la información de la etiqueta de la luminaria para verificar que sea el correcto.
- ✓ Realice todas las conexiones eléctricas y a tierra de acuerdo con los requisitos del Código Eléctrico Nacional (NEC) y de cualquier código local aplicable.
- ✓ Todas las conexiones del cableado deben cubrirse con conectores para cables reconocidos y aprobados por UL.



### ADVERTENCIA RIESGO DE QUEMADURAS

- ✓ Antes de manipular la lámpara o luminaria, déjela enfriar. No toque la carcasa ni la fuente de iluminación.
- ✓ No supere el vataje máximo señalado en la etiqueta de la luminaria.
- ✓ Siga todas las advertencias, recomendaciones y restricciones del fabricante en relación con el tipo de circuito controlador, la posición de funcionamiento, las ubicaciones y los métodos de montaje, la sustitución y el reciclaje.



### PRECAUCIÓN RIESGO DE LESIONES

- ✓ Use guantes y gafas de seguridad en todo momento cuando quite la luminaria de la caja, la instale, la repare o realice tareas de mantenimiento.
- ✓ Cuando la luz esté encendida, evite la exposición directa de los ojos a la fuente de luz.



### PRECAUCIÓN RIESGO DE INCENDIO

- ✓ Mantenga los materiales combustibles y de otro tipo que se puedan incendiar lejos de la lámpara o las lentes.
- ✓ No haga funcionar las luminarias cerca de personas, materiales combustibles o sustancias sensibles al calor o a la desecación.



PRECAUCIÓN: RIESGO DE DAÑO PARA EL PRODUCTO

- ✓ Nunca conecte componentes bajo carga.
- ✓ No monte ni sujete estas luminarias de manera que se pueda cortar el revestimiento exterior o dañar el aislamiento de los cables.
- ✓ Deben revisarse los controles para la atenuación, la detección automática o el control remoto de una luminaria que no hayan sido conectados a la luminaria en la fábrica a fines de comprobar su compatibilidad con la luminaria antes de la instalación. Las luminarias de led deben alimentarse directamente de un circuito conmutado.
- ✓ A menos que las especificaciones particulares del producto indiquen lo contrario, no restrinja la ventilación de las luminarias. Deje un poco de espacio libre alrededor de las luminarias. Evite cubrir las luminarias de led con material aislante, espuma u otro material que impida el enfriamiento por convección o conducción.
- ✓ A menos que las especificaciones particulares del producto indiquen lo contrario, no exceda la temperatura ambiente máxima de las luminarias.
- ✓ Use la luminaria únicamente en el lugar previsto.
- ✓ Los productos de led son sensibles a la polaridad. Asegúrese de que la polaridad sea la adecuada antes de la instalación.
- ✓ Descarga electrostática (ESD): la descarga electrostática puede dañar las luminarias de led. Debe usarse equipamiento personal de conexión a tierra durante todos los procesos de instalación o mantenimiento de la unidad.
- ✓ No toque los componentes eléctricos individuales, ya que esto puede causar ESD, acortar la vida útil de la lámpara o alterar el rendimiento.
- ✓ Es posible que algunos componentes del interior de la luminaria no se puedan reparar. En el caso improbable de que su unidad requiera reparación, deje de usarla inmediatamente y comuníquese con un representante de ABL para obtener ayuda.
- ✓ Lea siempre las instrucciones completas de instalación de las luminarias antes de su instalación para verificar si hay advertencias específicas adicionales para cada luminaria.

Consulte las instrucciones de instalación específicas del producto para verificar si hay advertencias adicionales, normas de la FCC aplicables u otras normas reglamentarias.

El incumplimiento de alguna de estas instrucciones puede anular las garantías del producto. Para obtener una lista completa de los Términos y condiciones del producto, visite [www.acuitybrands.com](http://www.acuitybrands.com).

<p><b>Nuestras marcas</b></p>	<p><b>Indoor/Outdoor</b> Lithonia Lighting Carandini Holophane RELOC Light Concepts</p>	<p><b>Indoor Lighting</b> Gotham Mark Architectural Lighting Peerless Renaissance Lighting Winona Lighting</p>	<p><b>Outdoor Lighting</b> American Electric Lighting Antique Street Lamps Hydrel Tersen</p>	<p><b>Controls</b> DARK TO LIGHT LC&amp;D ROAM Sensor Switch Synergy</p>	<p><b>Daylighting</b> SunOptics</p>
-------------------------------	-------------------------------------------------------------------------------------------------------------	------------------------------------------------------------------------------------------------------------------------------------	--------------------------------------------------------------------------------------------------------------	----------------------------------------------------------------------------------------------	-----------------------------------------

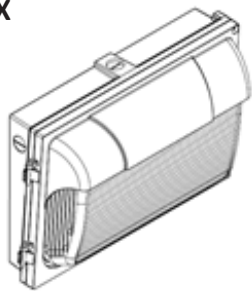
Acuity Brands Lighting, Inc. no se hace responsable de los reclamos que puedan surgir por la instalación o la manipulación inadecuada o negligente de sus productos.

Advertencias generales de ABL LED, formulario n.º 503.203

## Instrucciones de instalación

Garantía limitada por 5 años

### TWX



**ENTREGA:** Una vez recibido el dispositivo y los accesorios (embalados por separado), inspeccione minuciosamente para detectar daños durante el transporte. Informe todos los daños a la compañía a cargo del envío. Compare la descripción de catálogo incluida en el comprobante de empaque con la etiqueta del aparato en el interior del paquete para asegurarse de haber recibido la mercadería correcta.

Este dispositivo cumple con la Parte 15 de las reglas de la FCC. El funcionamiento está sujeto a las siguientes dos condiciones: (1) este dispositivo no puede ocasionar interferencias perjudiciales, y (2) este dispositivo debe aceptar cualquier interferencia recibida, incluso, las interferencias que pueden ocasionar un mal funcionamiento.

Herramientas necesarias: Llave Allen de 1/8", destornillador de cabeza plana, destornillador Phillips (solo para conductos NPT) Opcional: Sellador de silicona

Este paquete de pared está diseñado para ser montado en una caja de conexiones empotrada o directamente en la pared para el cableado a través de un conducto de superficie.

Instalación de la luminaria:

1. Afloje los 2 tornillos cautivos de la carcasa delantera con la llave Allen de 1/8".
2. Separe la puerta delantera de la carcasa trasera. La puerta debe abrirse más de 90° para desenganchar las bisagras. Deje la puerta a un lado sobre una superficie limpia, para evitar daños o rayones.
3. Prepare la carcasa trasera para su instalación, al quitar el agujero ciego central y montar los agujeros ciegos según sea necesario (Page 4, Figure 1). Tenga cuidado de no tocar los ledes ni dañar los componentes internos de ninguna manera.
4. Pase los cables de suministro a través del orificio ciego central.
5. Instale la carcasa trasera directamente en la pared (recomendado) utilizando los orificios de anclaje de pared y los tornillos adecuados (no incluidos). Cuando la instale en una caja de conexiones, asegúrese de que esté clasificada para el peso de la luminaria.
6. Aplique un sellador de silicona (no suministrado) que cubra los orificios de montaje y los accesorios para evitar la entrada de humedad.

Para cumplir con los requisitos de un lugar húmedo, el montaje debe estar sellado adecuadamente. La luminaria está diseñada para ser hermética, pero para una mayor protección, aplique una capa de silicona (no suministrada) alrededor de la luminaria entre la carcasa y la pared (arriba y dos lados) dejando la parte inferior libre de cualquier masilla. El sellador evitará que el agua que baje por la pared entre en la luminaria. Nota: No aplique el sellador en la parte inferior de la luminaria. Asegúrese de que todos los orificios de acceso del cableado estén sellados con sellador de silicona impermeable (no incluido).

7. Realice las conexiones de suministro.
8. Si tiene un dispositivo ALO, ajuste el dial al nivel de luz requerido (use la etiqueta ALO en la parte trasera de la puerta como referencia), girándolo con un destornillador pequeño de cabeza plana.
9. Vuelva a colocar la tapa delantera. Asegúrese de que las bisagras estén correctamente acopladas.
10. Apriete los 2 tornillos cautivos (30 a 35 en lb). No apriete demasiado. Un apriete excesivo provocará que se pele y anulará todas las garantías.



©2019-2020 Acuity Brands Lighting, Inc.  
Todos los derechos reservados.

Lithonia Lighting Outdoor  
One Lithonia Way, Conyers, GA 30012  
Teléfono: 1-800-705-SERV (7378)  
www.lithonia.com

Número de pieza: 912-00181-001 REV B  
Fecha de revisión: 7/15/22

## Instrucciones de instalación

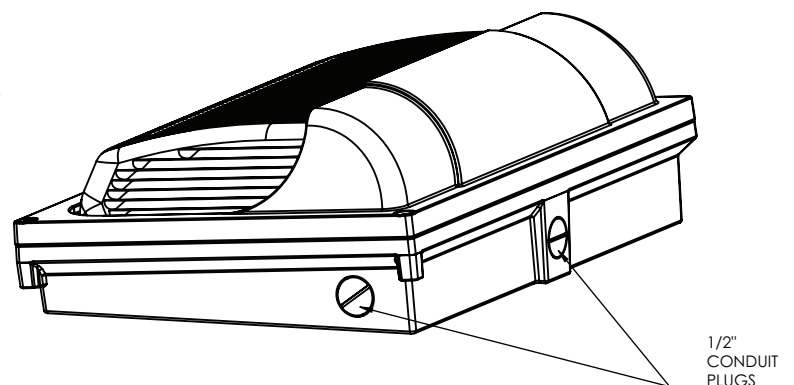
### TWX

Montaje del conducto de superficie:

1. Afloje los 2 tornillos cautivos de la carcasa delantera con la llave Allen de 1/8".
2. Separe la puerta delantera de la carcasa trasera. La puerta debe abrirse más de 90° para desenganchar las bisagras. Deje la puerta a un lado sobre una superficie limpia, para evitar daños o rayones.
3. Prepare la carcasa trasera para su instalación, al quitar el tapón de conducto adecuado (figura 2) y montar los orificios ciegos según sea necesario. Tenga cuidado de no tocar los ledes ni dañar los componentes internos de ninguna manera.
4. Instale la carcasa trasera directamente en la pared utilizando los orificios de anclaje de pared y los tornillos adecuados (no incluidos).
5. Selle los orificios de montaje para evitar la entrada de humedad.
6. Conecte el accesorio de conducto de 1/2" hermético (no suministrado) en cualquiera de las posiciones de entrada del conducto. Para garantizar un sellado adecuado, el instalador puede añadir sellador hermético (no suministrado) a las roscas del conducto. Una aplicación incorrecta o un apriete excesivo de los accesorios para conductos provocará un fallo de campo.
7. Realice las conexiones de suministro.
8. Si tiene un dispositivo ALO, ajuste el dial al nivel de luz requerido (use la etiqueta ALO en la parte trasera de la puerta como referencia), girándolo con un destornillador pequeño de cabeza plana.
9. Vuelva a colocar la tapa delantera. Asegúrese de que las bisagras estén correctamente acopladas.
10. Apriete los 2 tornillos cautivos (30 a 35 en lb). No apriete demasiado. Un apriete excesivo provocará que se pele y anulará todas las garantías.

Para cumplir con los requisitos de un lugar húmedo, el montaje debe estar sellado adecuadamente. La luminaria está diseñada para ser hermética, pero para una mayor protección, aplique una capa de silicona (no suministrada) alrededor de la luminaria entre la carcasa y la pared (arriba y dos lados) dejando la parte inferior libre de cualquier masilla. El sellador evitará que el agua que baje por la pared entre en la luminaria. Nota: No aplique el sellador en la parte inferior de la luminaria. Asegúrese de que todos los orificios de acceso del cableado estén sellados con sellador de silicona impermeable (no incluido).

Fig. 2. Ubicaciones de entrada de conductos



Solución de problemas: Si la luminaria no funciona adecuadamente, verifique lo siguiente: • Que el montaje esté conectado correctamente. • No hay conexiones sueltas. • Que el montaje esté conectado a tierra de manera adecuada. • Que el voltaje de línea del montaje sea correcta. Si se han verificado todas estas variables y el dispositivo aún no funciona como se especifica, comuníquese con su distribuidor local de Lithonia Lighting.