



DESCRIPTION

Improve security lighting around your home or business by installing these efficient LED security light fixtures. Featuring a built in photocell and PIR motions sensor, these fixtures come on automatically when motion is detected and operates from dusk till dawn.

FEATURES

- Efficiently replaces a 100W pulse start metal halide fixture
- 3-head fixture lamp heads and motion sensor have 8 swivel points, 2-head fixture lamp heads and motion sensor have 6 swivel points; see Adjust and Rotate sections to see articulation points and degrees.
- 3-head fixtures feature additional anti-corrosion coating to help protect swivel points
- Built in photocell allows for dusk to dawn operation
- Built-in PIR motion sensor allows light to come on automatically when motion is detected within a range of up to 45 feet, then turn off 30, 60, or 120 seconds after motion stops
- PIR motion sensor sensitivity and timing can be adjusted with the switches on the bottom of the sensor; see Motion Sensor Instructions for more information

LISTINGS

- ETL rated for wet locations
- FCC
- RoHS

PERFORMANCE

- CRI: 80
- CCT: 4000K and 5000K
- Beam Angle: 110°
- LED L70 Life Hours: 50,000 hours

THERMAL

- -4°F to 104°F (-20°C to 40°C) operating temperature

ELECTRICAL

- THD: 12%, 14%, or 20%
- Power Factor: >0.9
- Input Voltage: 120V
- Surge Protection: 28W & 38W – 1000V; 50W - 1240V

INSTALLATION

- Designed for wall mounting with included hardware; see installation instructions for more details

CONSTRUCTION

- 3-head fixtures have aluminum housing with white finish; 2-head fixture has polycarbonate housing with white finish
- 3-head fixtures have clear polycarbonate lens that evenly distributes light; 2-head fixture has frosted polycarbonate leans that evenly diffuses the light for reduced glare

project name	type
catalog number	
comments	voltage
approved by	date



WARRANTY

- 3 year limited warranty; see pltsolutions.com for warranty details

APPLICATIONS

- Security Lighting
- Wall Lighting
- Outdoor Lighting

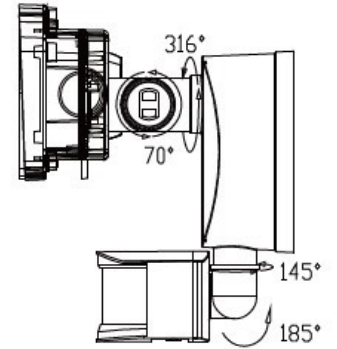
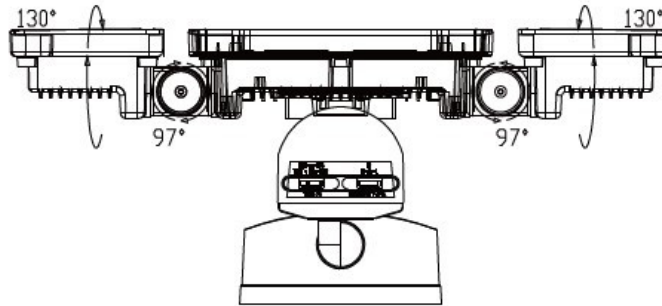
PERFORMANCE SUMMARY

Item #	Watts	Lumens	LPW	CCT	CRI	Voltage	Replaces	Number of Heads	THD	Surge Protection
PLT-12418	38W	3600	94	4000K	80	120-277V	MH100W	3	14%	1000V
PLT-12419	50W	5500	110	5000K	80	120-277V	MH100W	3	12%	1240V
PLT-12420	28W	2500	89	5000K	80	120-277V	MH100W	2	20%	1000V

ADJUST AND ROTATE

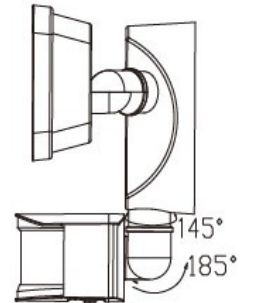
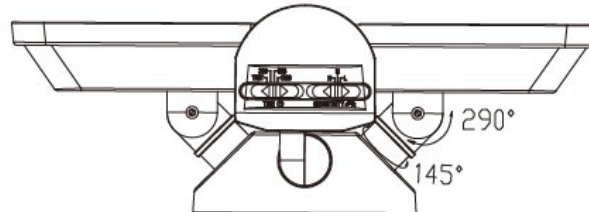
3-HEAD FIXTURE:

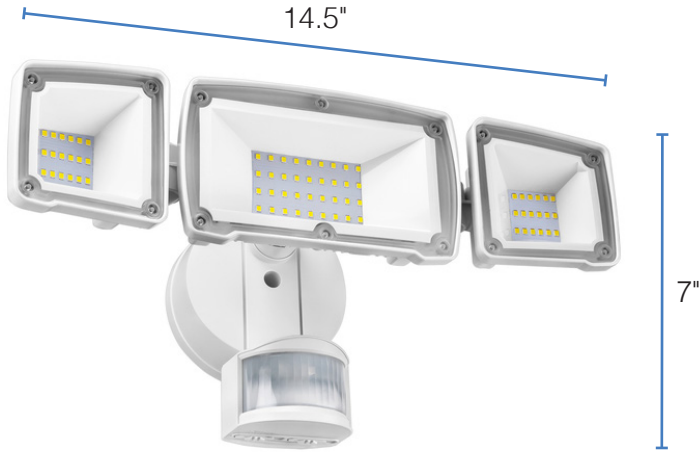
There are 8 swivel points to adjust light position



2-HEAD FIXTURE:

There are 6 swivel points to adjust light position





3-HEAD FIXTURE DIMENSIONS

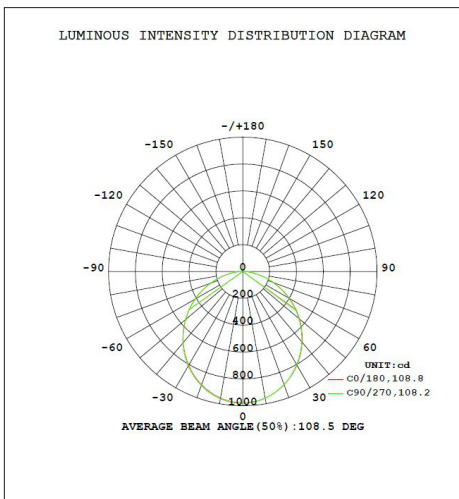
- Width: 14.5"
- Height (with sensor): 7"
- Depth: 6.25"
- Large Middle Head Width: 6.82"
- Large Middle Head Depth: 1.94"
- Large Middle Head Height: 3.72"
- Individual Side Heads Width: 3.37"
- Individual Side Heads Depth: 1.97"
- Individual Side Heads Height: 3.5"
- Weight: 2.05 lbs



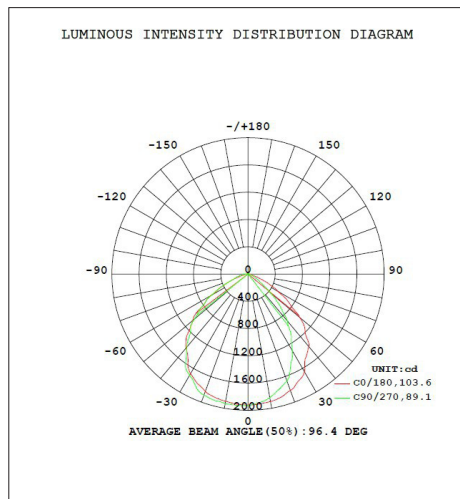
2-HEAD FIXTURE DIMENSIONS

- Width: 11.5"
- Height (with sensor): 6.8"
- Depth: 3.65"
- Individual Head Width: 5.33"
- Individual Head Depth: 1.34"
- Individual Head Height: 3.58"
- Weight: 1.04 lbs

28W FIXTURE



38W FIXTURE



50W FIXTURE

