



COLOR SELECTABLE ARCHITECTURAL LED VAPOR TIGHT FIXTURE

WARNING, CAUTION, SAFETY AND INSTALLATION INSTRUCTIONS

WARNING

- Installation, service, and maintenance of luminaires should be performed by a qualified licensed electrician.
- Risk of burn. Disconnect power and allow fixture to cool before handling fixture.
- Account for small parts and destroy packing material, as these may be hazardous to children.

CAUTION

- All wiring connections should be capped with UL approved wire connectors.
- Do not create any new or alter any existing holes.
- Verify that supply voltage is correct by comparing it with the luminaire label information.
- Minimum 90° supply conductors.

NOTICE

- Specifications and dimensions are subject to change without notice.
- Suitable for dry or damp location.

Installation Instructions

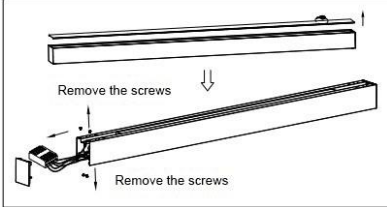
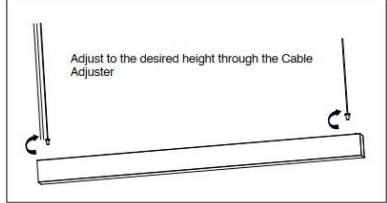
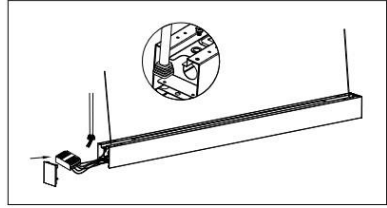
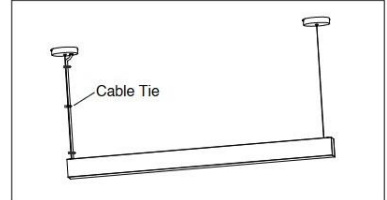
Single Pendant Mounting to Drywall Ceiling

<p>1. Take the fixture and accessories out of the box.</p>			
<p>2. Attach the cable to the canopy.</p>			
<p>3. Connect the AC wires. Push all of the wires back into the junction box. Mount the cross bar on the junction box.</p>			
<p>4. Place the canopy on the ceiling.</p>			

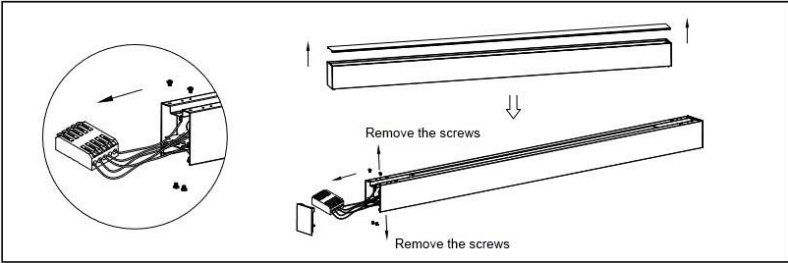
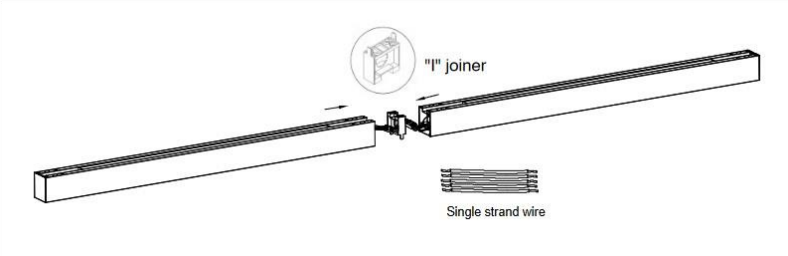


COLOR SELECTABLE ARCHITECTURAL LED VAPOR TIGHT FIXTURE

WARNING, CAUTION, SAFETY AND INSTALLATION INSTRUCTIONS

<p>5. Remove one end-cap.</p>	 <p>Remove the screws</p> <p>Remove the screws</p>
<p>6. Hang luminaire. Screw both bottom parts of the cables clockwise and secure them on the top of the housing, making sure the fixture is securely hung.</p>	 <p>Adjust to the desired height through the Cable Adjuster</p>
<p>7. Connect the power cord to the connector, referring to the wiring diagram below, and attach the power cord and reattach the end-cap.</p> <p>Caution: Isolate the two dimming wires (pink and purple) by P2 terminal individually if not dimming. You MUST connect wires so black goes to black, white goes to white, and ground goes to ground.</p>	
<p>8. The installation is complete.</p>	 <p>Cable Tie</p>

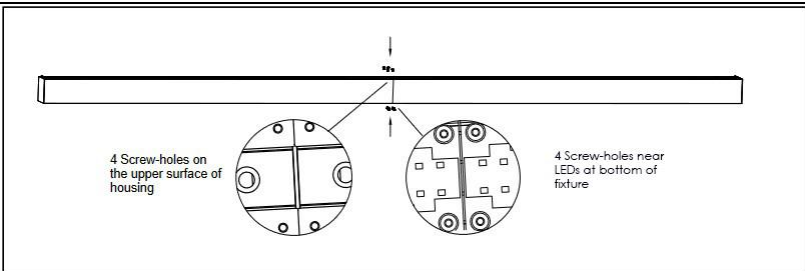
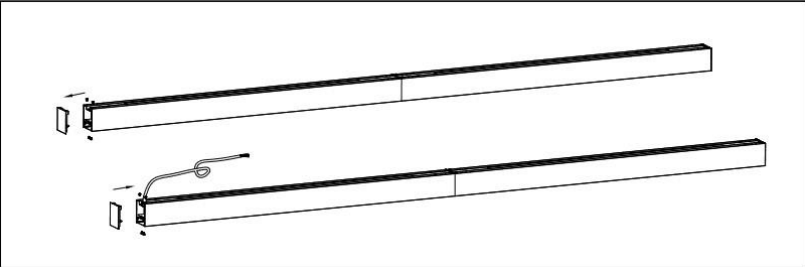
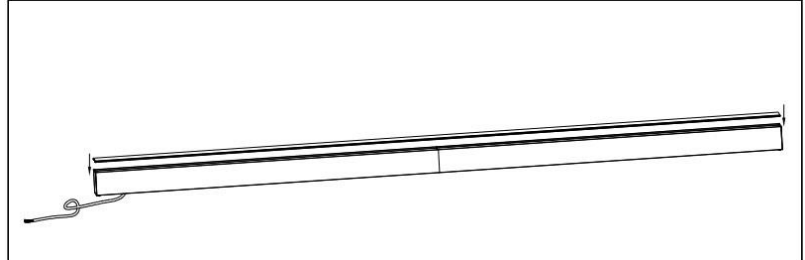
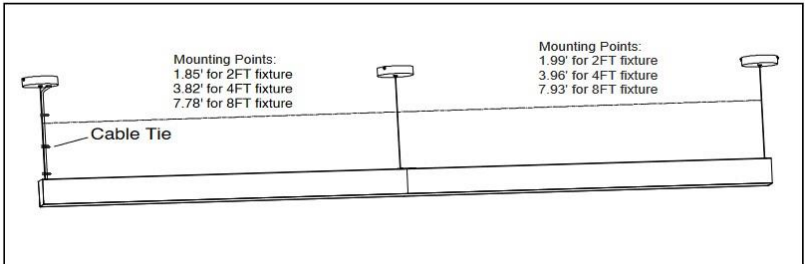
Continuous Row Mounting to Drywall Ceiling

<p>1. Remove the diffusers using a suction cup, then remove the plastic end-cap, and pull out the connector.</p>	 <p>Remove the screws</p> <p>Remove the screws</p>
<p>2. Connect the two connectors by wires. Pass the wires through the "I" joiner.</p>	 <p>"I" joiner</p> <p>Single strand wire</p>

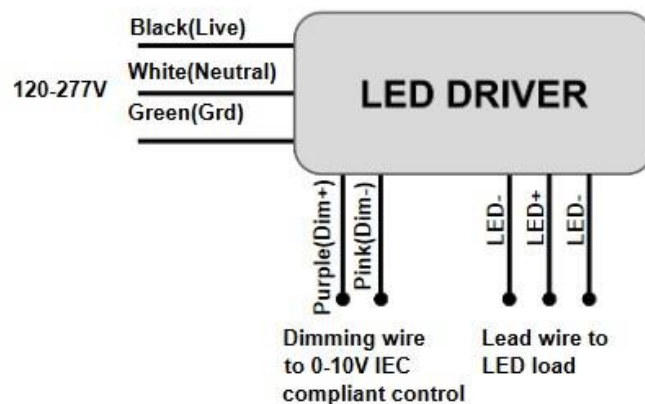


COLOR SELECTABLE ARCHITECTURAL LED VAPOR TIGHT FIXTURE

WARNING, CAUTION, SAFETY AND INSTALLATION INSTRUCTIONS

<p>3. Join both fixtures so that the "I" joiner will be embedded into the fixture bodies. Screw the "I" joiner in place.</p>	
<p>4. Remove the end-cover to make the wiring connection, and re-attach the end-cap after connecting the power cord to the housing.</p> <p>CAUTION: You MUST connect wires so black goes to black, white goes to white, and ground goes to ground.</p>	
<p>5. Install the diffuser.</p>	
<p>6. Hang the luminaire.</p>	

Wiring Diagrams





⚠ WARNING

- Before installing, servicing, or performing routine maintenance upon this equipment, follow these general precautions.
- To reduce the risk of death, personal injury, or property damage from fire, electric shock, falling parts, cuts/abrasions, and other hazards, read all warnings and instructions included with and on the fixture box and all fixture labels.
- Proper grounding is required to ensure safety.
- Power must be turned off at the breaker before installation or maintenance.
- This product must be installed in accordance with the applicable installation code by a person familiar with the construction and operation of the product and the hazards involved.
- Wear gloves and eye protection at all times while installing, servicing, or performing maintenance on the luminaire, and avoid direct eye exposure to the light source while it is on.
- To prevent wiring damage or abrasion, do not expose wiring to edges of sheet metal or other sharp objects.
- Do not install damaged product. Inspect luminaire for damage that may have occurred during transit. If damaged, contact the manufacturer immediately.
- These instructions do not purport to cover all details or variations in equipment nor to provide every possible contingency to meet in connection with installation, operation, or maintenance. Should further information be desired or should particular problems arise which are not covered sufficiently for the purchaser's or owner's purposes, contact the manufacturer.

⚠ ADVERTENCIA

- Antes de instalar, reparar o realizar el mantenimiento de rutina de este equipo, siga estas precauciones generales.
- Para reducir el riesgo de muerte, lesiones personales o daños a la propiedad por fuego, descarga eléctrica, caída de piezas, cortes / abrasiones y otros peligros, lea todas las advertencias y instrucciones incluidas con y en la caja del dispositivo y todas las etiquetas del dispositivo.
- Se requiere una conexión a tierra adecuada para garantizar la seguridad.
- Se debe apagar la energía en el disyuntor antes de la instalación o el mantenimiento.
- Este producto debe ser instalado de acuerdo con el código de instalación aplicable por una persona familiarizada con la construcción y operación del producto y los peligros involucrados.
- Utilice guantes y protección para los ojos en todo momento durante la instalación, el servicio o el mantenimiento de la luminaria, y evite la exposición directa de los ojos a la fuente de luz mientras está encendida.
- Para evitar daños o abrasiones en el cableado, no exponga el cableado a bordes de láminas de metal u otros objetos afilados.
- No instale un producto dañado. Inspeccione la luminaria en busca de daños que puedan haber ocurrido durante el tránsito. Si está dañado, comuníquese con el fabricante de inmediato.
- Estas instrucciones no pretenden cubrir todos los detalles o variaciones en el equipo ni proporcionar todas las posibles contingencias a cumplir en relación con la instalación, operación o mantenimiento. Si desea obtener más información o si surgen problemas particulares que no están suficientemente cubiertos para los propósitos del comprador o propietario, comuníquese con el fabricante.