



### WARNING

- Installation, service, and maintenance of luminaries should be performed by a qualified licensed electrician.

### CAUTION

- Equipment should be mounted where it will not be subject to tampering by unauthorized personnel.
- Do not mount near gas or electric heaters.
- The use of accessory equipment not recommended by the manufacturer may cause an unsafe condition.
- Do not use this equipment for any other purpose than its intended use.
- When re-lamping, use only LED lamps specified in the fixture. Using other lamp types may result in transformer damage or unsafe conditions.

### NOTICE

- The battery in this unit may not be fully charged. After electricity is connected to the unit, let the battery charge up for at least 24 hours for normal operation of this unit to take effect.
- Do not use outdoors.

## Installation Instructions

### Ceiling Mount

- Remove the faceplate(s) and set aside.
- Connect the 20" jumper leads to the AC input leads in the junction box. For 120V-277V, use the red and white wires.
- Fasten the junction box bracket to the junction box.
- Fasten the canopy to the junction box bracket.
- Remove the canopy hole cover on the top and snap the housing to the canopy.
- Connect and trim the input leads.
- Slide the input leads through the canopy and connect to the supply leads in the junction box.
- Unused wires must be capped using enclosed wire nuts.
- Connect the battery only after continuous AC power can be provided to the unit.
- Place the proper chevron(s) as required.
- Secure the faceplate(s) to the housing.
- Apply continuous AC power and press the TEST button to ensure the wiring is correct. The lamps should illuminate when the TEST button is pressed.

### Wall Mount

- Remove the faceplate and backplate and set aside.
- Connect the 20" jumper leads to the AC input leads in the junction box. For 120V-277V, use the red and white wires.
- Fasten the junction box bracket to the junction box.
- Remove the necessary knockouts and fasten the backplate to the junction box bracket.
- Snap the housing onto the backplate.
- Connect and trim the input leads.

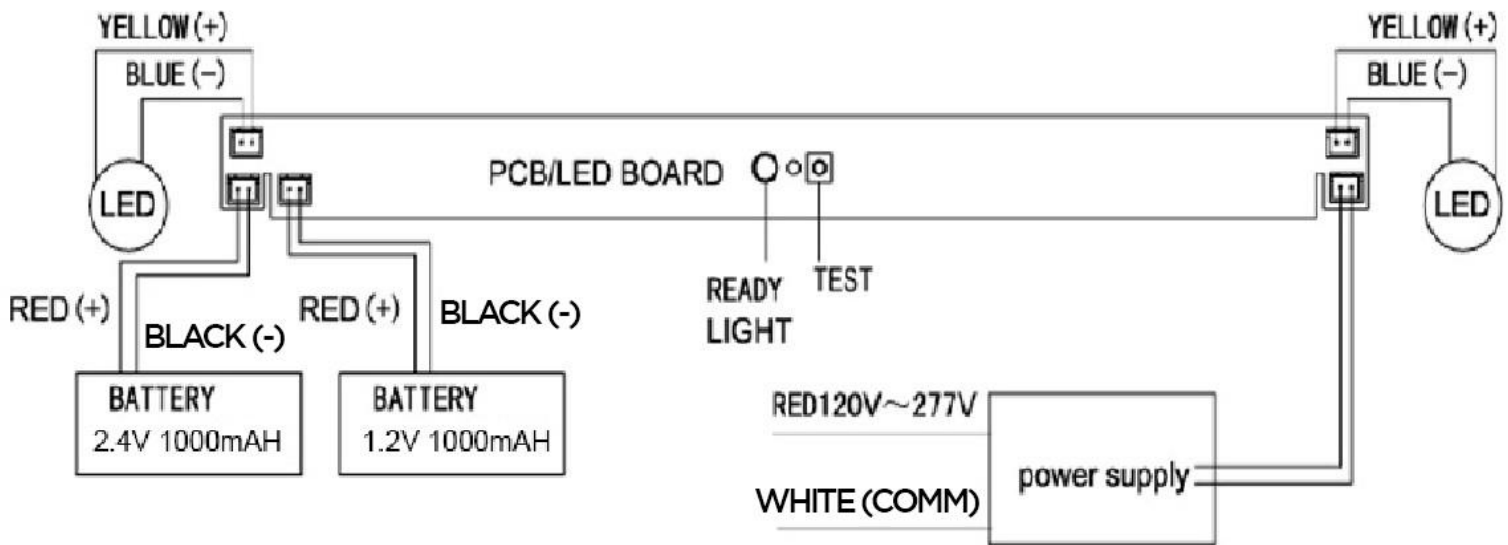


# RED OR GREEN LED EXIT SIGN WITH LAMPS

## SAFETY AND INSTALLATION INSTRUCTIONS

- Slide the input leads through the backplate and connect to the supply leads in the junction box.
- Unused wires must be capped using enclosed wire nuts.
- Connect the battery only after continuous AC power can be provided to the unit.
- Place the proper chevron(s) as required.
- Secure the faceplate to the housing.
- Apply continuous AC power and press the TEST button to ensure the wiring is correct. The lamps should illuminate when the TEST button is pressed.

### Wiring Diagram



### ⚠ WARNING

- Before installing, servicing, or performing routine maintenance upon this equipment, follow these general precautions.
- To reduce the risk of death, personal injury, or property damage from fire, electric shock, falling parts, cuts/abrasions, and other hazards, read all warnings and instructions included with and on the fixture box and all fixture labels.
- Power must be turned off at the breaker before installation or maintenance.
- This product must be installed in accordance with the applicable installation code by a person familiar with the construction and operation of the product and the hazards involved.
- Wear gloves and eye protection at all times while installing, servicing, or performing maintenance on the luminaire, and avoid direct eye exposure to the light source while it is on.
- To prevent wiring damage or abrasion, do not expose wiring to edges of sheet metal or other sharp objects.
- Do not install damaged product. Inspect luminaire for damage that may have occurred during transit. If damaged, contact the manufacturer immediately.
- These instructions do not purport to cover all details or variations in equipment nor to provide every possible contingency to meet in connection with installation, operation, or maintenance. Should further information be



desired or should particular problems arise which are not covered sufficiently for the purchaser's or owner's purposes, contact the manufacturer.

### **⚠ ADVERTENCIA**

- Antes de instalar, reparar o realizar el mantenimiento de rutina de este equipo, siga estas precauciones generales.
- Para reducir el riesgo de muerte, lesiones personales o daños a la propiedad por fuego, descarga eléctrica, caída de piezas, cortes / abrasiones y otros peligros, lea todas las advertencias y instrucciones incluidas con y en la caja del dispositivo y todas las etiquetas del dispositivo.
- Se debe apagar la energía en el disyuntor antes de la instalación o el mantenimiento.
- Este producto debe ser instalado de acuerdo con el código de instalación aplicable por una persona familiarizada con la construcción y operación del producto y los peligros involucrados.
- Utilice guantes y protección para los ojos en todo momento durante la instalación, el servicio o el mantenimiento de la luminaria, y evite la exposición directa de los ojos a la fuente de luz mientras está encendida.
- Para evitar daños o abrasiones en el cableado, no exponga el cableado a bordes de láminas de metal u otros objetos afilados.
- No instale un producto dañado. Inspeccione la luminaria en busca de daños que puedan haber ocurrido durante el tránsito. Si está dañado, comuníquese con el fabricante de inmediato.
- Estas instrucciones no pretenden cubrir todos los detalles o variaciones en el equipo ni proporcionar todas las posibles contingencias a cumplir en relación con la instalación, operación o mantenimiento. Si desea obtener más información o si surgen problemas particulares que no están suficientemente cubiertos para los propósitos del comprador o propietario, comuníquese con el fabricante.