



WARNING


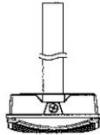
- Installation, service, and maintenance of luminaries should be performed by a qualified licensed electrician.

CAUTION

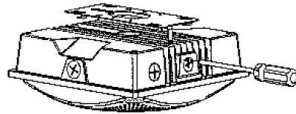
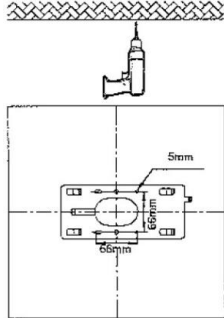
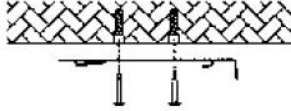
- Do not use a generator to test this fixture.
- In the event of smoke or fire, turn off the power immediately and call a licensed electrician.
- Min 75°C supply conductors.

Installation Instructions

Pendant Mounting

| | |
|---|---|
| <ol style="list-style-type: none">1. Connect the wiring to the local power supply in the 3/4" NPT conduit (conduit by others). (Figure 1)2. Screw the fixtures to the 3/4" NPT Stem (supplied by others). (Figure 2) |   <p>Figure 1 Figure 2</p> |
|---|---|

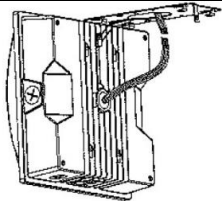
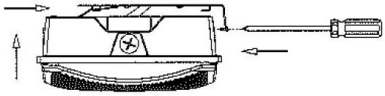
Surface Mounting

| | |
|--|---|
| <ol style="list-style-type: none">1. Take the plate off the LED fixture. (Figure 3) |  <p>Figure 3</p> |
| <ol style="list-style-type: none">2. Drill the holes on the ceiling to match the holes of the plate. (Figure 4) |  <p>Figure 4</p> |
| <ol style="list-style-type: none">3. Hammer plastic anchors into the ceiling, then position the plate on the ceiling. (Figure 5) |  <p>Figure 5</p> |

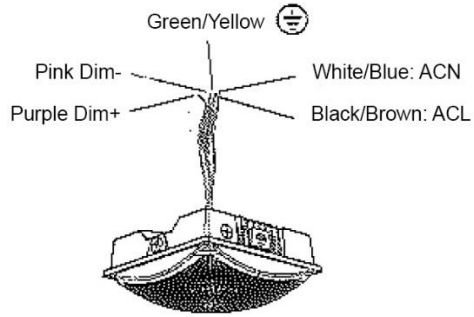


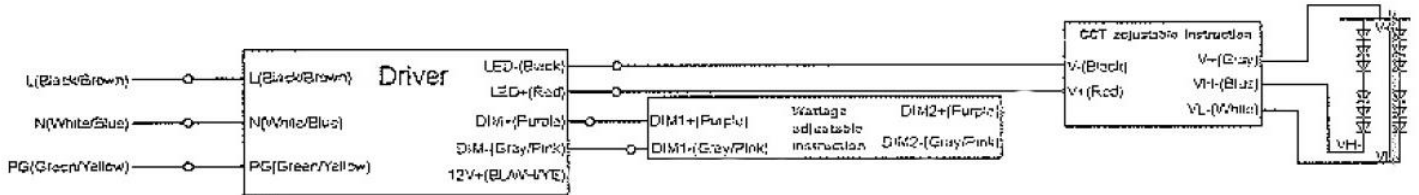
COLOR SELECTABLE LED CANOPY FIXTURE

SAFETY AND INSTALLATION INSTRUCTIONS

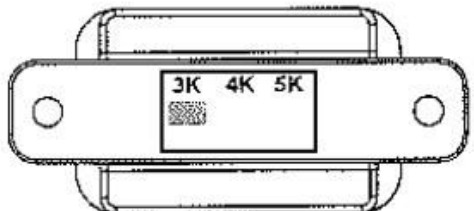
| | |
|--|---|
| <p>4. Hang the fixture from the ring on plate (Figure 6), and connect to the power supply.</p> |  <p>Figure 6</p> |
| <p>5. Slide the fixture into the place, then fasten the screw on the side of the fixture. (Figure 7)</p> |  <p>Figure 7</p> |

Wiring Diagrams

| | |
|--|---|
| <ol style="list-style-type: none"> Recommended Dimmers <ul style="list-style-type: none"> Lutron DTSTV-DV Leviton DS710-10Z Leviton IP710 Legrand RH4FBL3PW Use only passive dimmers. The turn-off voltage should be between 0.6V-0.65V. Please use the dimming+, dimming- (DC 10V) marking leads to connect to outside dimmer. <ul style="list-style-type: none"> Class 1 wiring only. Please assure a cumulative leakage current of less than 3.5mA on the control circuit. |  |
|--|---|



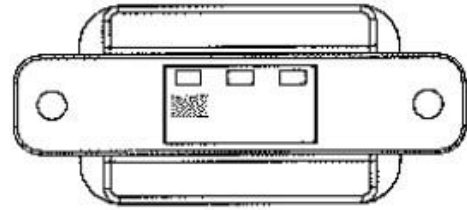
CCT & Wattage Adjustment

| | |
|---|--|
| <ul style="list-style-type: none"> To access the CCT or wattage selectable dip switches, unscrew the clear weatherproof plugs on either side of the fixture. CCT Adjustment <ul style="list-style-type: none"> Set the dip switch to 3K for 3000K Set the dip switch to 4K for 4000K Set the dip switch to 5K for 5000K |  |
|---|--|



COLOR SELECTABLE LED CANOPY FIXTURE SAFETY AND INSTALLATION INSTRUCTIONS

- Wattage Adjustment
 - Set the dipswitch to your desired wattage/light output.



⚠ WARNING

- Before installing, servicing, or performing routine maintenance upon this equipment, follow these general precautions.
- To reduce the risk of death, personal injury, or property damage from fire, electric shock, falling parts, cuts/abrasions, and other hazards, read all warnings and instructions included with and on the fixture box and all fixture labels.
- Proper grounding is required to ensure safety.
- Power must be turned off at the breaker before installation or maintenance.
- This product must be installed in accordance with the applicable installation code by a person familiar with the construction and operation of the product and the hazards involved.
- Wear gloves and eye protection at all times while installing, servicing, or performing maintenance on the luminaire, and avoid direct eye exposure to the light source while it is on.
- To prevent wiring damage or abrasion, do not expose wiring to edges of sheet metal or other sharp objects.
- Do not install damaged product. Inspect luminaire for damage that may have occurred during transit. If damaged, contact the manufacturer immediately.
- These instructions do not purport to cover all details or variations in equipment nor to provide every possible contingency to meet in connection with installation, operation, or maintenance. Should further information be desired or should particular problems arise which are not covered sufficiently for the purchaser's or owner's purposes, contact the manufacturer.

⚠ ADVERTENCIA

- Antes de instalar, reparar o realizar el mantenimiento de rutina de este equipo, siga estas precauciones generales.
- Para reducir el riesgo de muerte, lesiones personales o daños a la propiedad por fuego, descarga eléctrica, caída de piezas, cortes / abrasiones y otros peligros, lea todas las advertencias y instrucciones incluidas con y en la caja del dispositivo y todas las etiquetas del dispositivo.
- Se requiere una conexión a tierra adecuada para garantizar la seguridad.
- Se debe apagar la energía en el disyuntor antes de la instalación o el mantenimiento.
- Este producto debe ser instalado de acuerdo con el código de instalación aplicable por una persona familiarizada con la construcción y operación del producto y los peligros involucrados.
- Utilice guantes y protección para los ojos en todo momento durante la instalación, el servicio o el mantenimiento de la luminaria, y evite la exposición directa de los ojos a la fuente de luz mientras está encendida.



COLOR SELECTABLE LED CANOPY FIXTURE SAFETY AND INSTALLATION INSTRUCTIONS

- Para evitar daños o abrasiones en el cableado, no exponga el cableado a bordes de láminas de metal u otros objetos afilados.
- No instale un producto dañado. Inspeccione la luminaria en busca de daños que puedan haber ocurrido durante el tránsito. Si está dañado, comuníquese con el fabricante de inmediato.
- Estas instrucciones no pretenden cubrir todos los detalles o variaciones en el equipo ni proporcionar todas las posibles contingencias a cumplir en relación con la instalación, operación o mantenimiento. Si desea obtener más información o si surgen problemas particulares que no están suficientemente cubiertos para los propósitos del comprador o propietario, comuníquese con el fabricante.