

DESCRIPTION

Provide exceptional energy and maintenance savings by replacing 400W metal halide fixtures with this round LED hazardous location light.

FEATURES

- Durable, explosion proof design ideal for areas with ignitable and combustible elements
- Impressive 135 LPW ultra-high efficiency delivers superior performance over HID fixtures
- Completely sealed against water and dust ingress
- Wire guard included, provides additional protection to lens

LISTINGS

- Class 1 Div 2 for hazardous locations
- IP66 Rated
- UL Listed for wet locations
- CSA Listed
- DesignLights Consortium® 5.1 Standard - meets the requirements for the highest DLC qualification for efficacy and lumen maintenance; DLC Part Number - PLTSN61481312

PERFORMANCE

- CRI: 80+
- CCT: 5000K
- Rated Lifetime L70: 50,000 hours
- Samsung SMD LEDs and Sosen driver

ELECTRICAL

- THD: ≤ 20%
- Power Factor: ≥ 0.9
- Input Voltage: 120-277V

THERMAL

- -40°F to 131°F (-40°C to 55°C) operating temperature

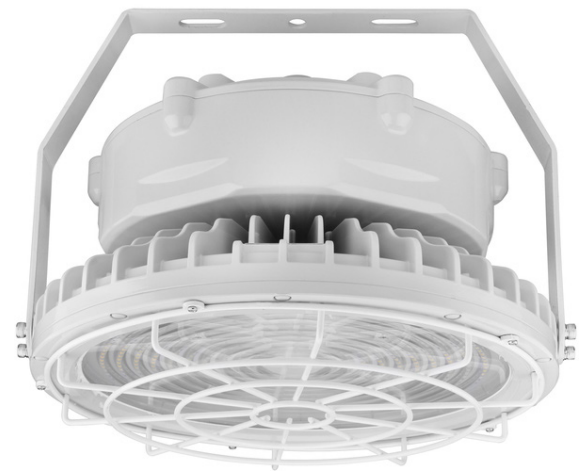
INSTALLATION

- Designed for mounting with pre-installed bracket or for pendant mounting to a 3/4 inch NPT threaded pipe; see installation instructions for more information

CONSTRUCTION

- Aluminum alloy housing with grey finish
- Clear, flat glass lens with wire guard

project name	type
catalog number	
comments	voltage
approved by	date



WARRANTY

- 5 year limited warranty; see pltsolutions.com for warranty details

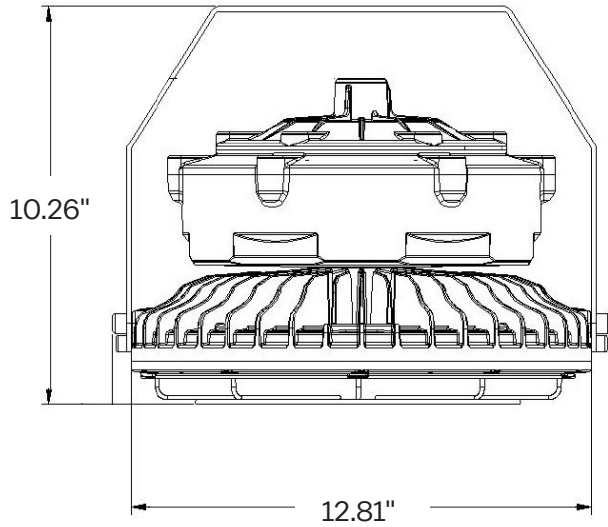
APPLICATIONS

- Warehouses
- Factories
- Workshops
- Petroleum Refineries
- Grain Processing Facilities
- Gas Stations
- Ship Ports

PERFORMANCE SUMMARY

Item #	Watts	Lumens	LPW	CRI	CCT	Lens	Dimming	Voltage	Replaces	DLC #	DLC Rating
PLTS-11958	150	20,307	135	80+	5000K	Glass	No	120-277V	MH400	PLTSN61481312	5.1 Standard

DIMENSIONS



DIMENSIONS

Height: 8.24"
 Height w/ bracket: 10.26"
 Diameter: 12.81"
 Weight: 25.2 lbs.

PHOTOMETRICS

