

DESCRIPTION

Provide exceptional energy and maintenance savings by replacing 175W metal halide fixtures with this round LED hazardous location light.

FEATURES

- Durable, explosion proof design ideal for areas with ignitable and combustible elements
- Impressive 130 LPW ultra-high efficiency delivers superior performance over HID fixtures
- Completely sealed against water and dust ingress
- Wire guard included, provides additional protection to lens

LISTINGS

- Class 1 Div 2 for hazardous locations
- IP66 Rated
- UL Listed for wet locations
- CSA Listed
- T4A T Rating
- DesignLights Consortium® 5.1 Standard - meets the requirements for the highest DLC qualification for efficacy and lumen maintenance; DLC Part Number - PLTSN61281312

PERFORMANCE

- CRI: 80+
- CCT: 5000K
- Rated Lifetime L70: 50,000 hours
- Samsung SMD LEDs and Sosen driver

ELECTRICAL

- THD: ≤ 20%
- Power Factor: ≥ 0.9
- Input Voltage: 120-277V

THERMAL

- -40°F to 131°F (-40°C to 55°C) operating temperature

INSTALLATION

- Designed for mounting with pre-installed bracket or for pendant mounting to a 3/4 inch NPT threaded pipe; see installation instructions for more information

CONSTRUCTION

- Aluminum alloy housing with grey finish
- Clear, flat glass lens with wire guard

| | |
|----------------|---------|
| project name | type |
| catalog number | |
| comments | voltage |
| approved by | date |



WARRANTY

- 5 year limited warranty; see pltsolutions.com for warranty details

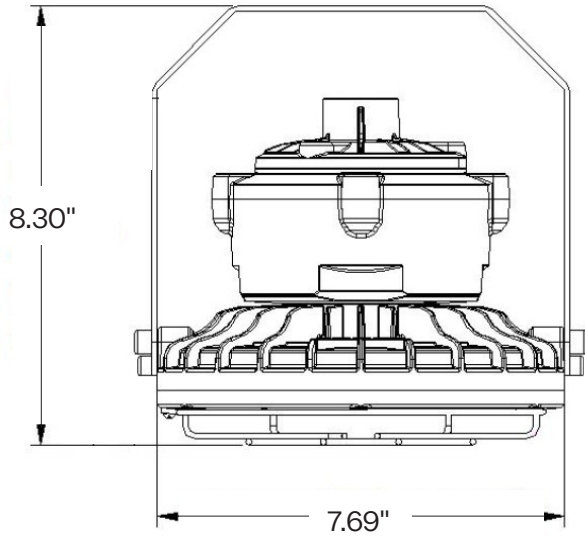
APPLICATIONS

- Warehouses
- Factories
- Workshops
- Petroleum Refineries
- Grain Processing Facilities
- Gas Stations
- Ship Ports

PERFORMANCE SUMMARY

| Item # | Watts | Lumens | LPW | CRI | CCT | Lens | Dimming | Voltage | Replaces | DLC # | DLC Rating |
|------------|-------|--------|-----|-----|-------|-------|---------|----------|----------|---------------|--------------|
| PLTS-11957 | 60 | 7821 | 130 | 80+ | 5000K | Glass | No | 120-277V | MH175 | PLTSN61281312 | 5.1 Standard |

DIMENSIONS



DIMENSIONS

Height: 5.95"

Height w/ bracket: 8.30"

Width: 7.69"

Weight: 8.9 lbs.

PHOTOMETRICS

Luminous Intensity Distribution Curve

