



WATTAGE/COLOR SELECTABLE LED STAIRWELL FIXTURE W/ MOTION SENSOR & EMERGENCY BACKUP

WARNING, CAUTION, SAFETY AND INSTALLATION INSTRUCTIONS

WARNING

- Installation, service, and maintenance of luminaires should be performed by a qualified licensed electrician.
- Specifications and dimensions are subject to change without notice.
- Emergency battery is a rechargeable LiFePo4 type and must be recycled or disposed of properly.

CAUTION

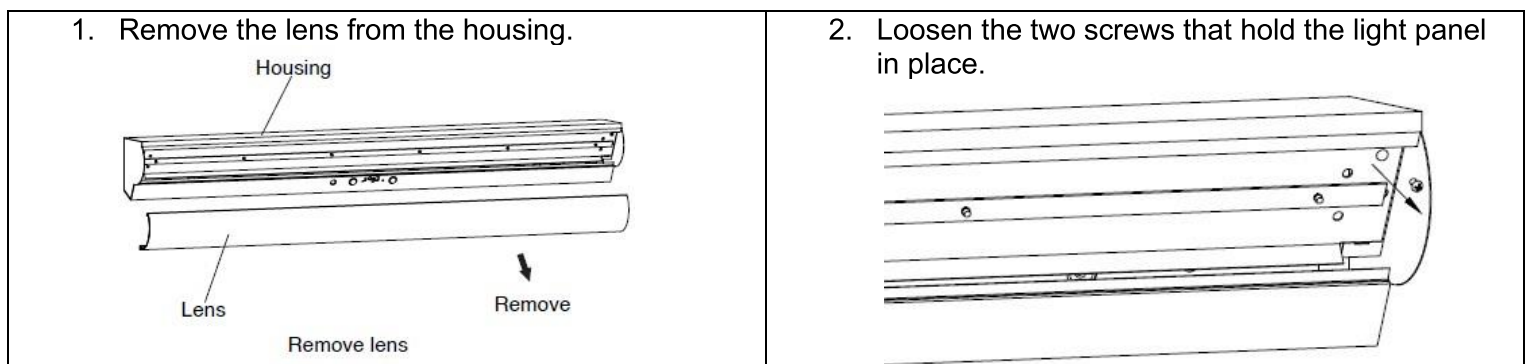
- Do not make or alter any holes in the wiring enclosure or electrical components during installation.
- Do not use outdoors. Do not mount near gas or electric heaters.
- Verify that the supply voltage is correct by comparing it with the luminaire label.
- All wiring connections should be capped with UL approved wire connectors.
- The green ground screw is provided in the proper location. Do not relocate.
- Minimum 90°C supply conductors.
- Max. mounting height: 12 FT (3.66m). Equipment should be mounted in locations and at heights where it will not readily be subjected to tampering by unauthorized personnel.
- The use of accessory equipment not recommended by the manufacturer may cause unsafe operation.
- The emergency battery requires a minimum charge time of one hour before testing the circuit. A minimum of 12 hours is required for a full charge.
- In order to maintain proper operation and warranty coverage, the battery must be recharged once per year prior to installation.

NOTICE

- Suitable for dry and damp locations.
- Account for small parts and destroy packing material, as these may be hazardous to children.
- Rated Emergency Operation: 90 minutes for the 10W load.

Installation Instructions

Wall Mounting

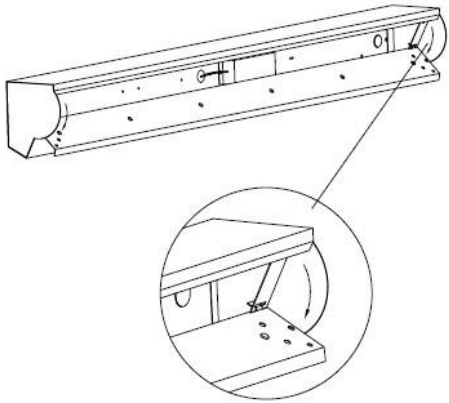




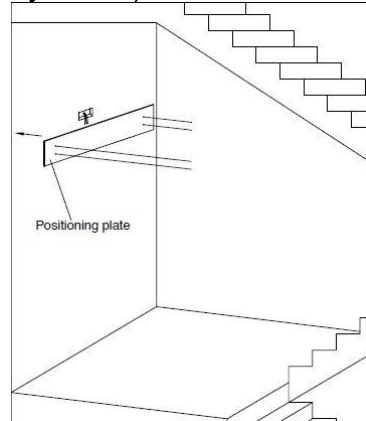
WATTAGE/COLOR SELECTABLE LED STAIRWELL FIXTURE W/ MOTION SENSOR & EMERGENCY BACKUP

WARNING, CAUTION, SAFETY AND INSTALLATION INSTRUCTIONS

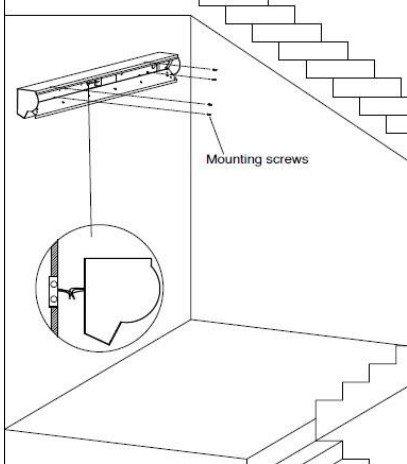
3. Allow the light panel to lay open.



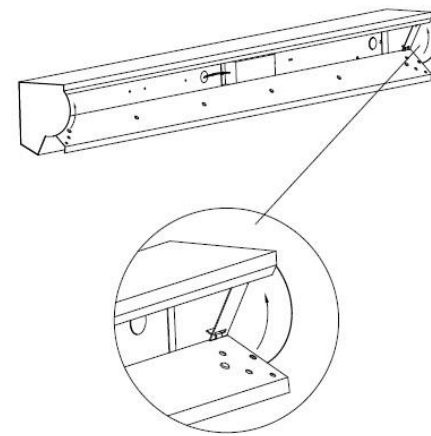
4. Drill four holes in the corresponding positions on the wall using the positioning plate provided by the manufacturer. Insert an anchor bolt (supplied by others) into each hole.



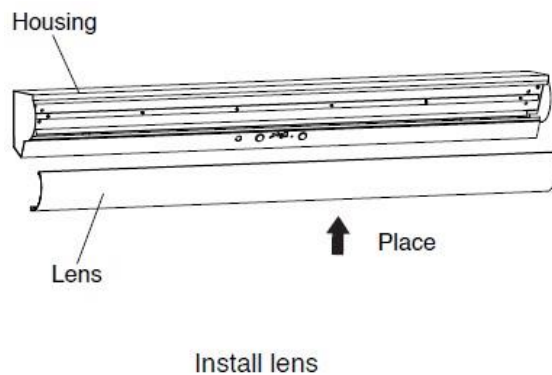
5. Connect the AC wires, then screw the four mounting screws into each anchor bolt.



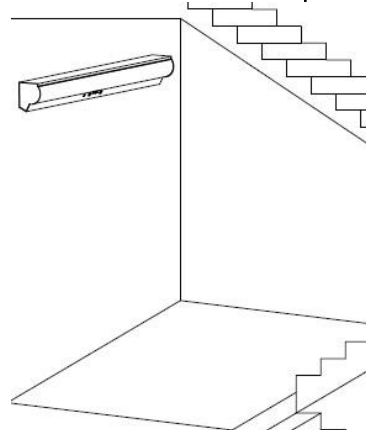
6. Push the light panel back to its original position and secure that light panel to the bracket.



7. Reinstall the lens.



8. The installation is complete.

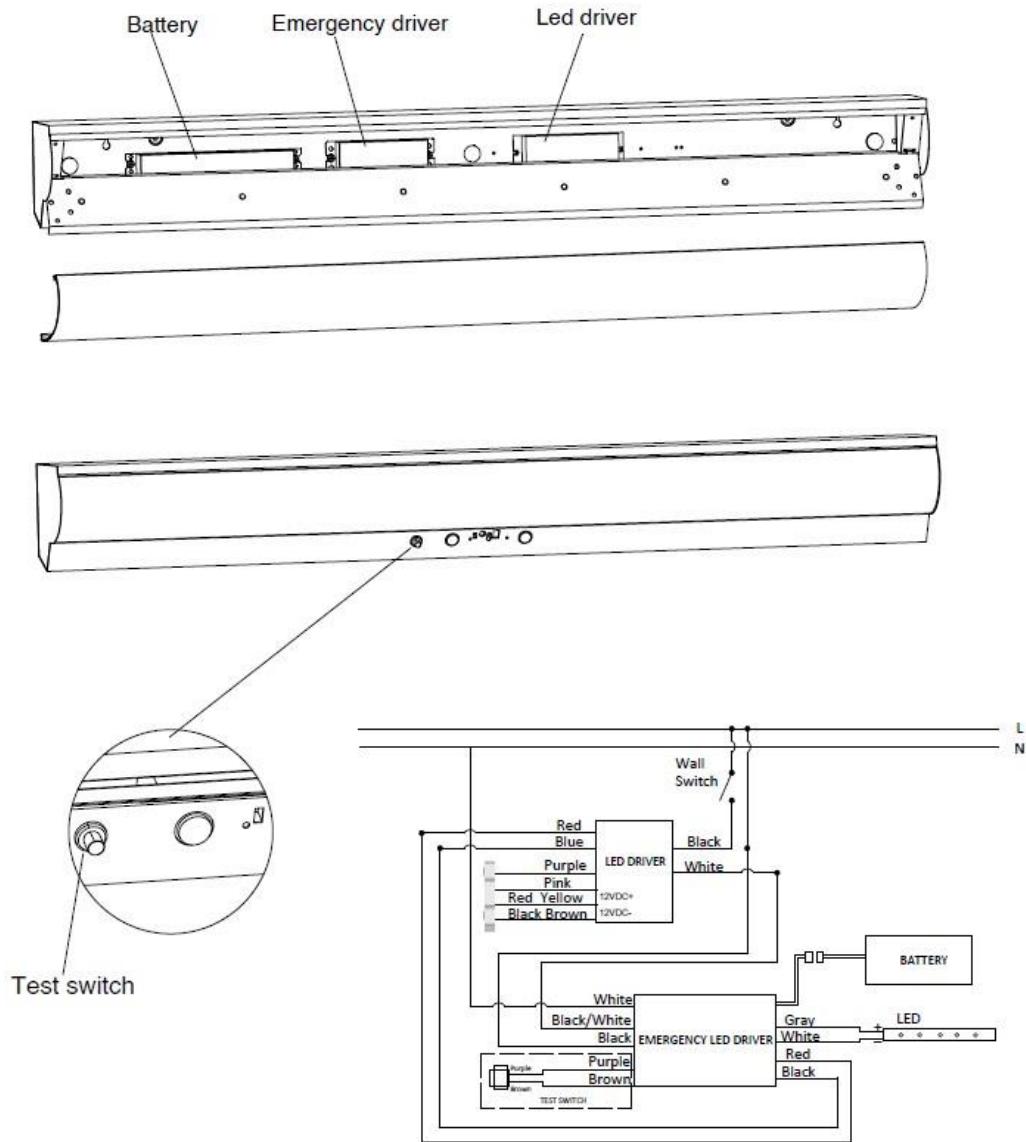




WATTAGE/COLOR SELECTABLE LED STAIRWELL FIXTURE W/ MOTION SENSOR & EMERGENCY BACKUP

WARNING, CAUTION, SAFETY AND INSTALLATION INSTRUCTIONS

Emergency Driver and Battery



NOTE:

- An un-switched AC power source of 100VAC to 277VAC is required for black and white leads.
- A switched or un-switched AC power source of 100VAC to 277VAC is acceptable for the black lead only.



WATTAGE/COLOR SELECTABLE LED STAIRWELL FIXTURE W/ MOTION SENSOR & EMERGENCY BACKUP

WARNING, CAUTION, SAFETY AND INSTALLATION INSTRUCTIONS

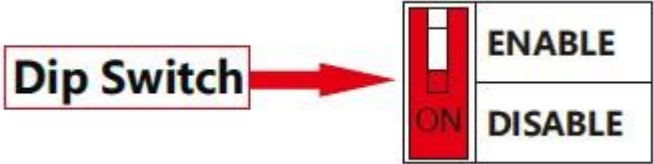
Test Switch Indicator Status

LED Indicator Status	EM Driver Status/Mode
Solid Green	System OK/AC OK
Red indicator flashing <ul style="list-style-type: none"> 4 seconds ON, 1 second OFF 	Low battery voltage, Self-diagnostic failed
Green indicator <ul style="list-style-type: none"> 1 second ON, 1 second OFF 	Self-diagnostic Mode
The indicator light is OFF	Power grid of OFF, in Emergency Mode
Alternate brightness of red & green <ul style="list-style-type: none"> 1 second RED, 1 second GREEN 	Load Open
Red indicator flashing <ul style="list-style-type: none"> 1 second ON, 1 second OFF 	Load short, Self-diagnostic Mode
Alternate brightness of red & green <ul style="list-style-type: none"> 4 seconds RED, 1 second GREEN 	Self-diagnostic and the output current exceeds 25% of the ratted value

Self-Diagnostic Mode

- Monthly auto self-diagnostic
- Yearly auto self-diagnostic for 90 minutes

Self-Diagnostic Mode Enable & Disable Operation Method

<p>Sliding the dip switch to the enable position will turn on the self-diagnostic feature.</p> <ul style="list-style-type: none"> “ENABLE” is the default setting. The self-diagnostic can be turned off by moving the dip switch to “DISABLE”. 	
---	--

Recharge Time – 12 Hours

Operation Time - 90 minutes with 1000-15000 lumen output

- The fixture can be switched off by a connected wall switch. When in emergency conditions (main power is off), use the wall switch to turn on the fixture, which will be operating in emergency mode.



WATTAGE/COLOR SELECTABLE LED STAIRWELL FIXTURE W/ MOTION SENSOR & EMERGENCY BACKUP

WARNING, CAUTION, SAFETY AND INSTALLATION INSTRUCTIONS

Settings Adjustment

Dipswitch 1	Dipswitch 2	DIM Level
OFF	OFF	OFF
OFF	ON	10%
ON	OFF	25%
ON	ON	50%

- Trimpot #1 on left adjusts motion detection range and sensitivity. Trimpot #2 on right adjusts time delay. Turn clockwise to increase, turn counterclockwise to decrease.
- Test Button sets the time delay to five seconds and runs for 5 minutes. LED will flash 2 times to indicate that Test Mode has started. After 5 minutes, the LED flash 3 times and the sensor will return to the selected Trimpot time delay setting. You can also end Test Mode by pushing the Test Mode button again.

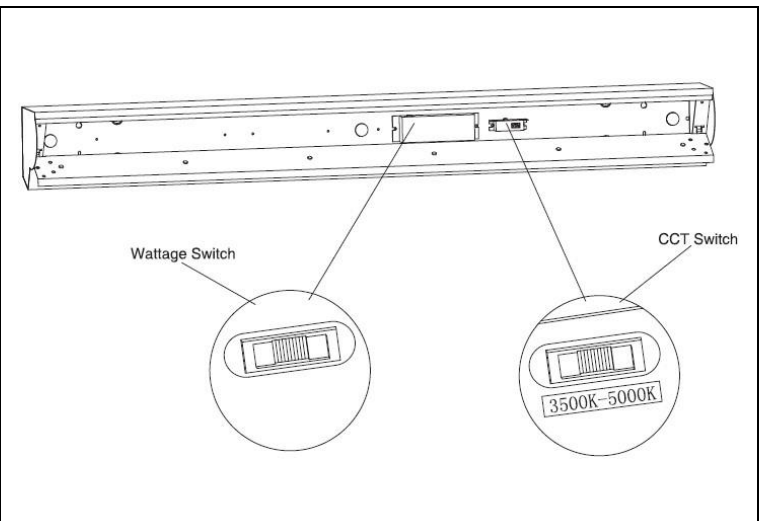
Field-Adjustable Wattage & CCT

The end users can adjust the color temperature and lumen output using the two DIP switches. Each DIP switch accommodates three options (left, middle, and right) that correspond to three color temperatures and three wattages, which can perform the desired output combination.

1. The DIP switches are located inside the fixture body.
2. Select a wattage and color temperature by sliding each DIP switch left or right to the desired value.

Default Settings:

- 55W, 5000K



⚠ WARNING

- Before installing, servicing, or performing routine maintenance upon this equipment, follow these general precautions.
- To reduce the risk of death, personal injury, or property damage from fire, electric shock, falling parts, cuts/abrasions, and other hazards, read all warnings and instructions included with and on the fixture box and all fixture labels.



WATTAGE/COLOR SELECTABLE LED STAIRWELL FIXTURE W/ MOTION SENSOR & EMERGENCY BACKUP

WARNING, CAUTION, SAFETY AND INSTALLATION INSTRUCTIONS

- Proper grounding is required to ensure safety.
- Power must be turned off at the breaker before installation or maintenance.
- This product must be installed in accordance with the applicable installation code by a person familiar with the construction and operation of the product and the hazards involved.
- Wear gloves and eye protection at all times while installing, servicing, or performing maintenance on the luminaire, and avoid direct eye exposure to the light source while it is on.
- To prevent wiring damage or abrasion, do not expose wiring to edges of sheet metal or other sharp objects.
- Do not install damaged product. Inspect luminaire for damage that may have occurred during transit. If damaged, contact the manufacturer immediately.
- These instructions do not purport to cover all details or variations in equipment nor to provide every possible contingency to meet in connection with installation, operation, or maintenance. Should further information be desired or should particular problems arise which are not covered sufficiently for the purchaser's or owner's purposes, contact the manufacturer.

⚠ ADVERTENCIA

- Antes de instalar, reparar o realizar el mantenimiento de rutina de este equipo, siga estas precauciones generales.
- Para reducir el riesgo de muerte, lesiones personales o daños a la propiedad por fuego, descarga eléctrica, caída de piezas, cortes / abrasiones y otros peligros, lea todas las advertencias y instrucciones incluidas con y en la caja del dispositivo y todas las etiquetas del dispositivo.
- Se requiere una conexión a tierra adecuada para garantizar la seguridad.
- Se debe apagar la energía en el disyuntor antes de la instalación o el mantenimiento.
- Este producto debe ser instalado de acuerdo con el código de instalación aplicable por una persona familiarizada con la construcción y operación del producto y los peligros involucrados.
- Utilice guantes y protección para los ojos en todo momento durante la instalación, el servicio o el mantenimiento de la luminaria, y evite la exposición directa de los ojos a la fuente de luz mientras está encendida.
- Para evitar daños o abrasiones en el cableado, no exponga el cableado a bordes de láminas de metal u otros objetos afilados.
- No instale un producto dañado. Inspeccione la luminaria en busca de daños que puedan haber ocurrido durante el tránsito. Si está dañado, comuníquese con el fabricante de inmediato.
- Estas instrucciones no pretenden cubrir todos los detalles o variaciones en el equipo ni proporcionar todas las posibles contingencias a cumplir en relación con la instalación, operación o mantenimiento. Si desea obtener más información o si surgen problemas particulares que no están suficientemente cubiertos para los propósitos del comprador o propietario, comuníquese con el fabricante.