

DESCRIPTION

A long-lasting and highly efficient replacement for metal halide fixtures, use this LED canopy light to improve outdoor security lighting.

FEATURES

- Panels can rotate up to 120 degrees, allowing you to aim the output where needed
- Replaces 100W metal halide fixtures
- 0-10V dimming
- Instant on with no warmup

LISTINGS

- IP65 Rated
- UL Listed for wet locations
- DesignLights Consortium® 5.1 Premium - meets the requirements for the highest DLC qualification for efficacy and lumen maintenance - PLTSN81D[1;2;3;4]6[S;blank][1;blank]

PERFORMANCE

- CRI: >80
- CCT: 5000K
- Rated Lifetime L70: 50,000 hours
- Philips Lumileds LEDs

ELECTRICAL

- THD: ≤20%
- Power Factor: ≥0.9
- Input Voltage: 120-277V
- Dimmable power supply (0-10V)

THERMAL

- -4°F to 113°F (-20°C to 45°C) operating temperature

INSTALLATION

- Designed for pendant or surface mounting with J-box (not included); see installation instructions for more information

CONSTRUCTION

- Low-profile aluminum alloy housing with white finish
- Polycarbonate lens

WARRANTY

- 5 year limited warranty; see pltsolutions.com for warranty details

project name	type
catalog number	
comments	voltage
approved by	date



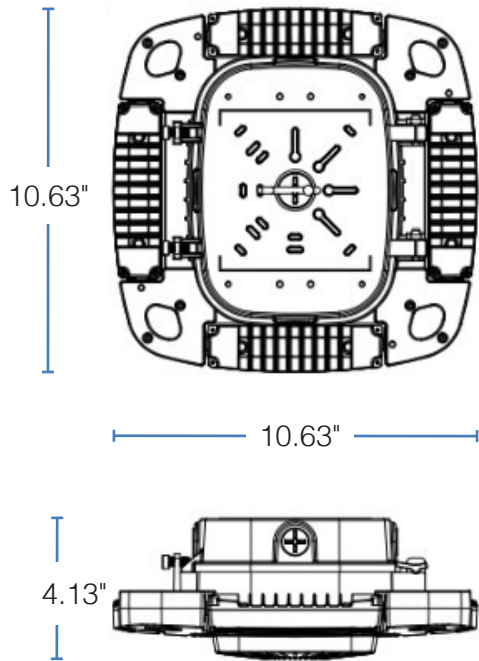
APPLICATIONS

- Warehouses
- Factories
- Hospitals
- Hotels
- Offices

PERFORMANCE SUMMARY

Item #	Watts	Lumens	LPW	CRI	CCT	Lens	Dimming	Voltage	Replaces	DLC #	DLC Level
PLTS-12079	35	4,000	114	>80	5000K	Polycarbonate	0-10V	120-277	MH100	PLTSN81D[1;2;3;4]6 [S;blank][1;blank]	5.1 Premium

DIMENSIONS



DIMENSIONS

Length: 10.63"

Height: 4.13"

Width: 10.63"

Weight: 4.85 lbs

PHOTOMETRICS

