



DESCRIPTION

Improve outdoor security lighting by replacing existing metal halide wall packs with these longer lasting and more efficient LED mini wall packs.

FEATURES

- Up to 130 LPW ultra-high efficiency delivers superior performance over older fixtures
- Replaces 70W metal halide fixtures
- Integrated photocell for dusk till dawn operation

LISTINGS

- IP65 Rated
- UL Listed for wet locations
- FCC

PERFORMANCE

- CRI: >80
- CCT: 3000K, 4000K, and 5000K
- LED L70 Life Hours: ≥100,000 hours
- Philips Lumileds SMD LEDs

ELECTRICAL

- THD: < 20%
- Power Factor: > 0.9
- Input Voltage: 120-277V
- Surge Protection: 2kV

THERMAL

- -40°F to 104°F (-40°C to 40°C) operating temperature

CONSTRUCTION

- Aluminum housing with bronze finish and anti-corrosion spray
- Polycarbonate lens is shatter resistant and resists corrosion and yellowing

WARRANTY

- 5-year limited warranty; see pltsolutions.com for warranty details

project name	type
catalog number	
comments	voltage
approved by	date



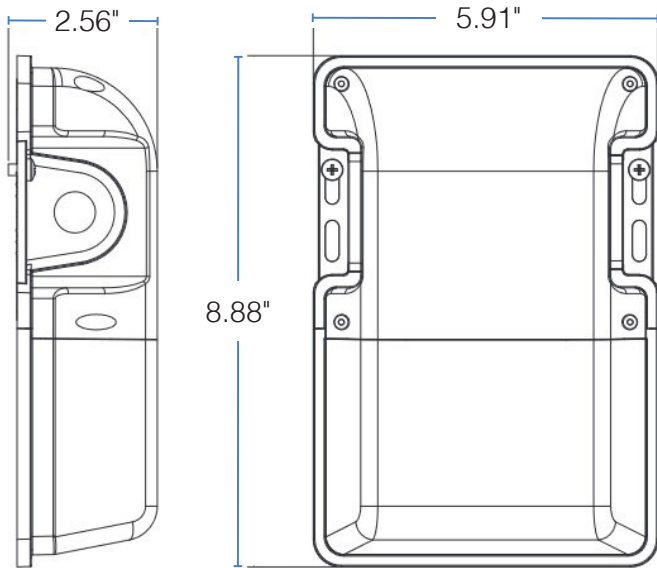
APPLICATIONS

- Security Lighting
- Pedestrian Lighting
- Parking Areas
- Building Entrances

PERFORMANCE SUMMARY

Item #	Watts	Lumens	LPW	CRI	CCT	Lens	Voltage	Replaces
PLTS-12364	15W	1950	130	>80	5000K	Polycarbonate	120-277V	MH70
PLTS-12365	15W	1950	130	>80	4000K	Polycarbonate	120-277V	MH70
PLTS-12366	15W	1950	130	>80	3000K	Polycarbonate	120-277V	MH70

DIMENSIONS



DIMENSIONS

Height: 8.88"

Width: 5.91"

Depth: 2.56"

PHOTOMETRICS

