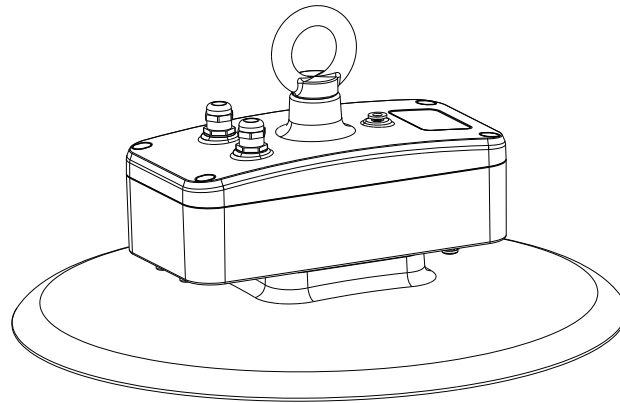
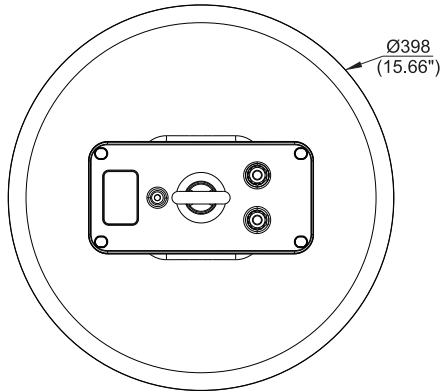
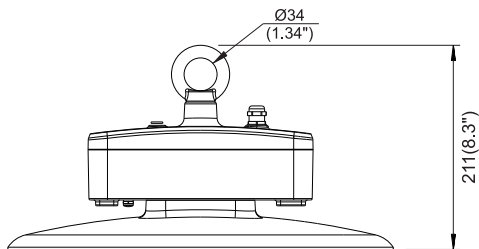


LED High Bay Light

Installation Instructions

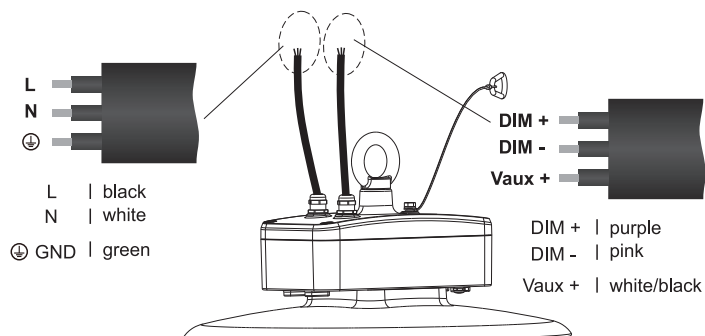


Physical Dimensions (Unit: mm/inch)

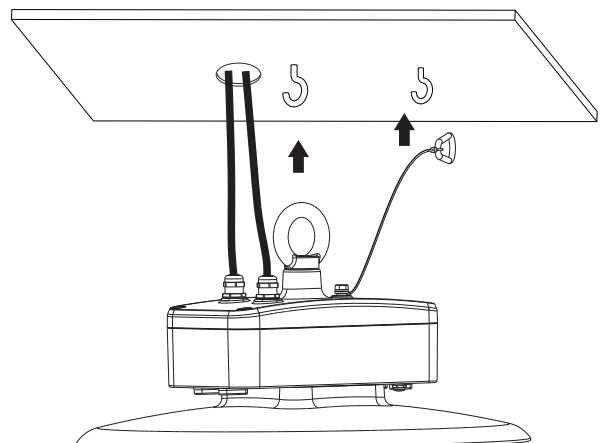


Product Specifications	100/150/200W
Input Voltage	100-277V AC
Power Frequency	50 / 60 Hz
Outlook Dimensions	Ø398x211mm(Ø15.66"x8.3")
Working Temperature	-30°C to +45°C(-22°F to +113°F)
Storing Temperature	-40°C to +70°C(-40°F to +158°F)

1



2

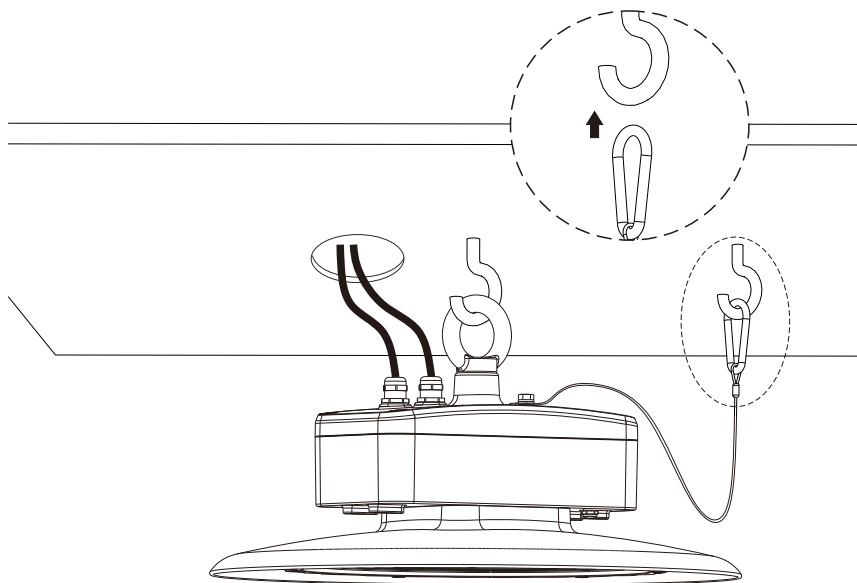


LED High Bay Light



Installation Instructions

3



- Do not connect the dimming conductors to supply line voltage. Erroneous connection will disable the dimming function and void the fixture warranty.
- Minimum mounting height is 13.2 feet in required indoor applications.
- Regular cleaning/dust removal is highly recommended to maintain fixture life.
- Do not use if power or dimming conductors are damaged. Contact PLT Solutions for replacement.

pltsolutions.com