

DESCRIPTION

Featuring selectable wattage and color temperatures that allow you to adjust the light output as needed, these LED wall packs are an efficient choice for improving security lighting in outdoor areas.

FEATURES

- Delivers up to 149 LPW depending on the wattage setting; settings are 60%, 80%, and 100%
- Efficiently replaces a 175W metal halide fixture
- Photocell for dusk to dawn operation
- Wattage and color temperature are adjusted via switches inside of fixture; see installation instructions for more information.

LISTINGS

- IP65 Rated
- UL Listed
- DesignLights Consortium® 5.1 Premium - meets requirements for the highest DLC qualification for efficacy and lumen maintenance; DLC PN - PLTBD16P

PERFORMANCE

- CRI: 80+
- CCT: 4000K and 5000K
- LED L70 Life Hours: ≥100,000 hours
- Philips Lumileds LEDs

ELECTRICAL

- THD: <20%
- Power Factor: >0.9
- Input Voltage: 120-277V

THERMAL

- -40°F to 113°F (-40°C to 45°C) operating temperature

CONSTRUCTION

- Heavy duty die-cast aluminum housing with bronze finish and anti-corrosion spray
- Durable borosilicate glass lens doesn't fade and allows high light transmittance

WARRANTY

- 5 year limited warranty; see pltsolutions.com for warranty details

project name	type
catalog number	
comments	voltage
approved by	date



APPLICATIONS

- General Security Lighting
- Pathways
- Loading Docks
- Building Perimeters

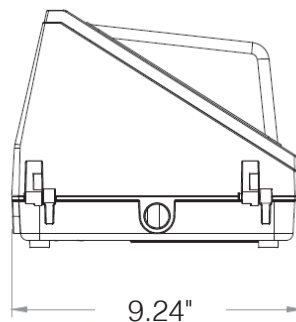
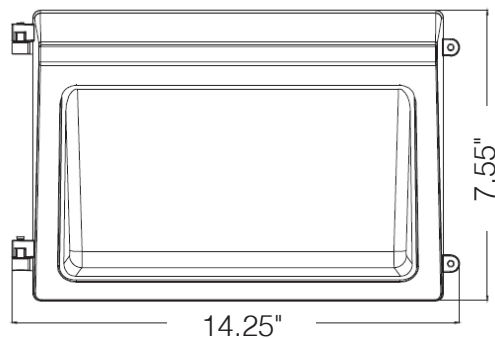
PERFORMANCE SUMMARY

Item #	Watts	Lumens	LPW	CRI	CCT	Lens	Voltage	Replaces	DLC #	DLC Rating
PLTS-12127	21 / 28 / 35	3100 / 3200 / 3800 / 3900 / 4700 / 4800	136 / 137 / 139 / 147 / 149	80+	4000K / 5000K	Borosilicate Glass	120-277V	MH175	PLTBD16P	5.1 Premium

INSTALLATION HEIGHT REFERENCE



DIMENSIONS



DIMENSIONS

Length: 14.25"
 Height: 7.55"
 Width: 9.24"
 Weight: 8.04 lbs.

PHOTOMETRICS

INTENSITY DISTRIBUTION DIAGRAM
 IN C PLANS

