

## DESCRIPTION

Replace existing fluorescent under cabinet lights with these more efficient direct wire LED under cabinet lights that can switch between 2700K, 3000K, 3500K, 4000K, and 5000K outputs.

## FEATURES

- Has one on/off rocker switch and one CCT selection sliderswitch
- High color rendering index (CRI) of 90 makes color appear more accurate
- Hardwires directly into main power
- Dimmable; see dimmer compatibility sheet for a full list of dimmers

## LISTINGS

- UL listed for damp locations
- FCC Title 47 CFR, Part 15, Class B
- RoHS

## PERFORMANCE

- CRI: 90
- CCT: 2700K, 3000K, 3500K, 4000K, & 5000K
- LED L70 Life Hours: 100,000 hours

## ELECTRICAL

- THD: <20%
- Power Factor: >0.8
- Input Voltage: 120V

## INSTALLATION

- Designed for surface mounting (hardware not included); see installation instructions for more information.

## CONSTRUCTION

- Steel plate construction with white finish
- Frosted polycarbonate lens helps diffuse light output and reduce glare

## WARRANTY

- 5 year limited warranty; see [pltsolutions.com](http://pltsolutions.com) for warranty details

project name	type
catalog number	
comments	voltage
approved by	date



## APPLICATIONS

- Under and Over Cabinets
- Task Lighting
- Office Lighting
- Display Cases
- Coves
- Utility and Work Areas

# PERFORMANCE SUMMARY

Item #	Watts*	CCT*	CRI	Voltage	Lens	Dimmable	Length
PLTS-40081	5	2700K / 3000K / 3500K / 4000K / 5000K	90	120V	Polycarbonate	Yes	9"
PLTS-40082	5	2700K / 3000K / 3500K / 4000K / 5000K	90	120V	Polycarbonate	Yes	12"
PLTS-40083	9	2700K / 3000K / 3500K / 4000K / 5000K	90	120V	Polycarbonate	Yes	18"
PLTS-40084	9	2700K / 3000K / 3500K / 4000K / 5000K	90	120V	Polycarbonate	Yes	21"
PLTS-40085	9	2700K / 3000K / 3500K / 4000K / 5000K	90	120V	Polycarbonate	Yes	24"
PLTS-40086	14	2700K / 3000K / 3500K / 4000K / 5000K	90	120V	Polycarbonate	Yes	33"
PLTS-40087	18	2700K / 3000K / 3500K / 4000K / 5000K	90	120V	Polycarbonate	Yes	42"

\*See Selectable Table for full breakdown

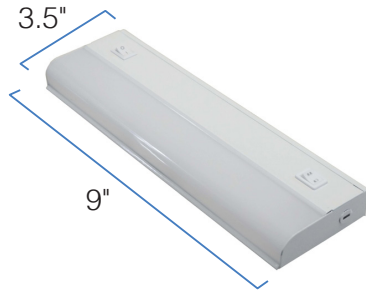
## SELECTABLE TABLE

Item#	Wattage	CCT	Lumen	Efficacy
PLTS-40081	5	2700K	340	68
		3000K	345	69
		3500K	350	70
		4000K	355	71
		5000K	360	72
PLTS-40082	5	2700K	340	68
		3000K	345	69
		3500K	350	70
		4000K	355	71
		5000K	360	72
PLTS-40083	9	2700K	612	68
		3000K	621	69
		3500K	630	70
		4000K	639	71
		5000K	648	72
PLTS-40084	9	2700K	612	68
		3000K	621	69
		3500K	630	70
		4000K	639	71
		5000K	648	72
PLTS-40085	9	2700K	612	68
		3000K	621	69
		3500K	630	70
		4000K	639	71
		5000K	648	72
PLTS-40086	14	2700K	952	68
		3000K	966	69
		3500K	980	70
		4000K	994	71
		5000K	1,008	72
PLTS-40087	18	2700K	1,224	68
		3000K	1,242	69
		3500K	1,260	70
		4000K	1,278	71
		5000K	1,296	72

## DIMENSIONS

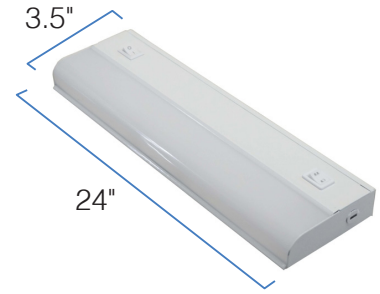
### 9" DIMENSIONS

Length: 9"  
Height: 1.14"  
Width: 3.5"  
Weight: 0.79 lbs



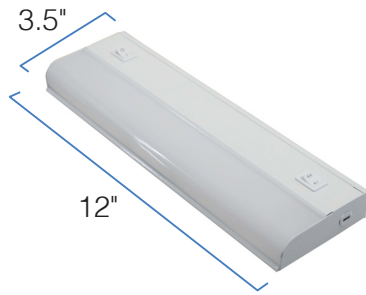
### 24" DIMENSIONS

Length: 24"  
Height: 1.14"  
Width: 3.5"  
Weight: 1.70 lbs



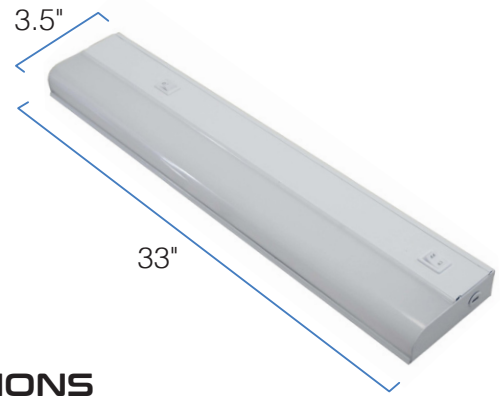
### 12" DIMENSIONS

Length: 12"  
Height: 1.14"  
Width: 3.5"  
Weight: 1.01 lbs



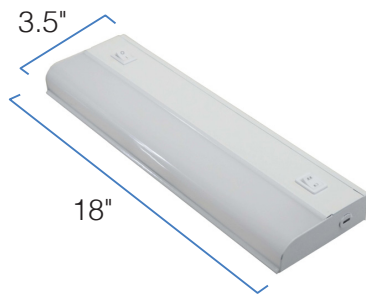
### 33" DIMENSIONS

Length: 33"  
Height: 1.14"  
Width: 3.5"  
Weight: 2.43 lbs



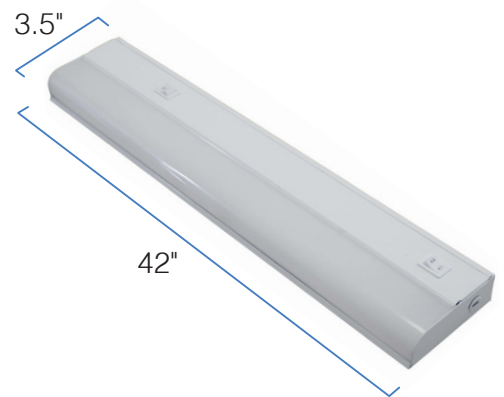
### 18" DIMENSIONS

Length: 18"  
Height: 1.14"  
Width: 3.5"  
Weight: 1.28 lbs



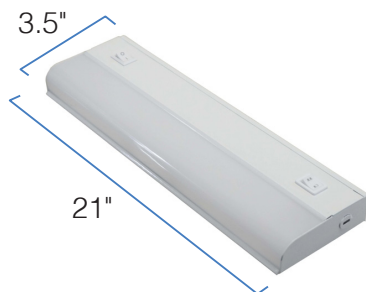
### 42" DIMENSIONS

Length: 42"  
Height: 1.14"  
Width: 3.5"  
Weight: 3.09 lbs



### 21" DIMENSIONS

Length: 21"  
Height: 1.14"  
Width: 3.5"  
Weight: 1.57 lbs



## WARNINGS

- Only use this LED under cabinet fixture with the dimmers listed in the compatibility list. Using this fixture with incompatible dimmers may cause performance issues including humming, buzzing, flickering, and poor dimming performance.