

DESCRIPTION

Replace existing fluorescent under cabinet lights with this more efficient direct wire 42 in. LED under cabinet lights that can switch between 3000K and 4000K outputs.

FEATURES

- Has one on/off rocker switch and one CCT selection rocker switch
- High color rendering index (CRI) of 90 makes color appear more accurate
- Hardwires directly into main power
- Dimmable with TRIAC and ELV dimmers

LISTINGS

- UL listed for damp locations
- FCC Title 47 CFR, Part 15, Class B RoHS

PERFORMANCE

- CRI: 90
- CCT: 3000K and 4000K
- LED L70 Life Hours: 100,000 hours

THERMAL

- -4°F to 122°F (-20°C to 104°C) operating temperature

ELECTRICAL

- THD: ≤50%
- Power Factor: ≥0.8
- Input Voltage: 120V

INSTALLATION

- Designed for surface mounting (hardware not included); see installation instructions for more information.

CONSTRUCTION

- Steel plate construction with white finish
- Frosted PMMA lens helps diffuse light output and reduce glare

WARRANTY

- 3 year limited warranty; see pltsolutions.com for warranty details

project name	type
catalog number	
comments	voltage
approved by	date



APPLICATIONS

- Under and Over Cabinets
- Task Lighting
- Office Lighting
- Display Cases
- Coves
- Utility and Work Areas

PERFORMANCE SUMMARY

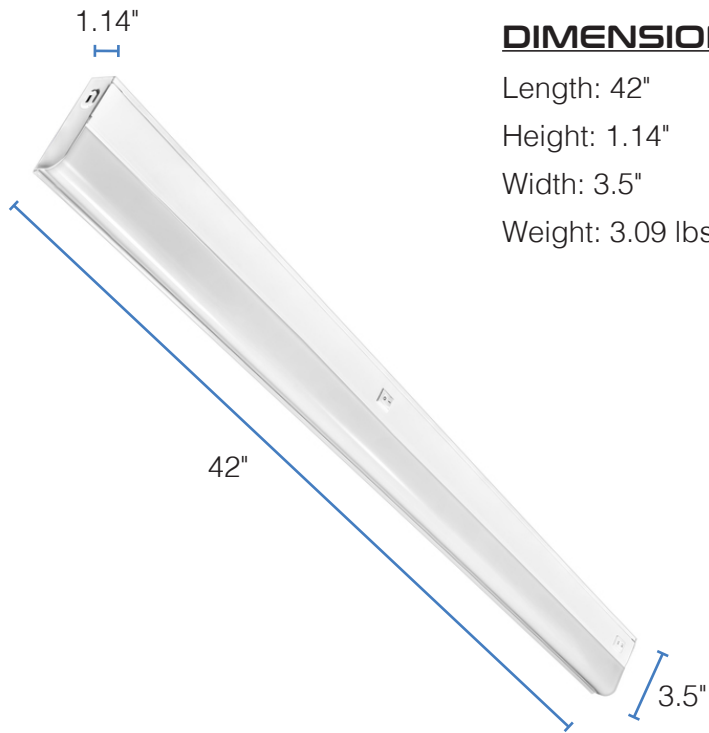
Item #	Watts*	CCT*	CRI	Voltage	Lens	Dimmable
PLTS-40069	18W	3000K, 4000K	90	120V	PMMA	Yes

*See Selectable Table for full breakdown

SELECTABLE TABLE

Wattage	CCT	Lumen	Efficacy
18	3000K	1260	70
	4000K	1278	71

DIMENSIONS



DIMENSIONS

Length: 42"
 Height: 1.14"
 Width: 3.5"
 Weight: 3.09 lbs.