



QTL Series Aisle Light

Product Specifications



The QTL Series Aisle Light by TCP incorporates the special needs of grocery and high-end shopping applications into the fixture design. The 24° angle between light bars provides a 144° beam angle, up-light to reduce “cave effect”, and a delivered light focused on the product display. Incorporating customer values into the design, the aisle light includes a 97+ CRI with balanced R9 values and uniform spectrum to drastically bump up the visual color realization of products on display while customers enjoy their experience with a feeling of sunlight.

Reasons to choose the QTL Series Aisle Light from TCP

- TCP Quick Connect system*
- High CRI options available
- Uniform spectrum - removal of blue peak from spectrum content
- Uplight - no cave effect
- V-shape directs light where you need it most - on the product
- 144° light spread



*Scan me with your phone to see the Aisle Light in action!

Ideal Applications

- High-end retail settings
- Grocery stores
- Architectural applications
- Commercial & Industrial
- Warehouses



QTL Series Aisle Light

Specifications

Input Line Voltage	120-277 VAC
Input Line Frequency.....	50/60Hz
Wattage.....	35/45/55/110W
Lumens (80 CRI).....	4725/6075/7425/14850L
Lumens (90 CRI, R9>50)	4025/5175/6325/12650L
Lumens per Watt (80 CRI)	>135 LPW
Lumens per Watt (90 CRI)	>115 LPW
Rated Life.....	50,000 hours
Minimum Starting Temperature	20°C (-4°F)
Maximum Operating Temperature.....	50°C (122°F)
CRI.....	>80 or >90
Power Factor	>0.9
THD.....	<20%
Ratings	cULus, damp location rated
Controls.....	0-10V dimming (standard)

Features

- Lens wrap-around design provides uplight to reduce cave effect
- Lightweight, quick install construction
- Standard frosted lens for glare control
- No shadows - smooth, even lighting
- Damp location rated
- 0-10V smooth, no-flicker dimming
- Operating temperature: -4°F to 122°F
- Long 50,000 hour rated life
- Includes 6' quick connect 5-wire power cord
- 179° field angle

Item Number	
Notes	Type



Listings

cULus Listed
RoHS Compliant
DLC 5.1 Standard

Warranty

Five year limited warranty against defects in manufacturing.

Hardware Included

- 10' Cable Hanger
- 6' TCP Quick Connect 5 wire cord

Installation

Hang from a structural support. Before installation, please consult your local ordinances and building codes.

Catalog Ordering Matrix

Example: QAL4UZDA29V440K

FAMILY	LENGTH	VOLTAGE	CONTROLS	LUMEN PACKAGE (Power) ^{1,2}	COLOR RENDERING INDEX	LIGHT BAR ANGLE	CCT	COLOR OPTION	FACTORY INSTALLED OPTIONS	FACTORY INSTALLED CONTROLS
QAL - QTL Series Aisle Light	4 - 4 foot	U - 120-277V	ZD - 0-10V Dimming	A2 - 4725L (35W)	Blank - 80+ CRI	V4 - 12°	35K - 3500K 40K - 4000K 50K - 5000K	Blank - White BK - Black ³	Blank - No Add-on B - Battery Backup	Blank - No controls
				A3 - 6075L (45W)						
				A4 - 7425L (55W)* A8 - 14850L (110W)						
				A2 - 4025L (35W) A3 - 5175L (45W) A4 - 6325L (55W)* A8 - 12650 (110W)						

¹ Approximate lumen output. Actual performance may vary based on CCT, options selected and end use application
² Actual wattage may differ by +/- 10%
³ Black and other special colors are a special order. Please contact your TCP representative for lead time
 * 55W unit is wattage selectable: 35/45/55W

Field Installed Accessories

- Q5DAISY4FT - Quick connect 5-wire daisy chain cable
- QTLSMOUNT1 - Surface Mount Kit

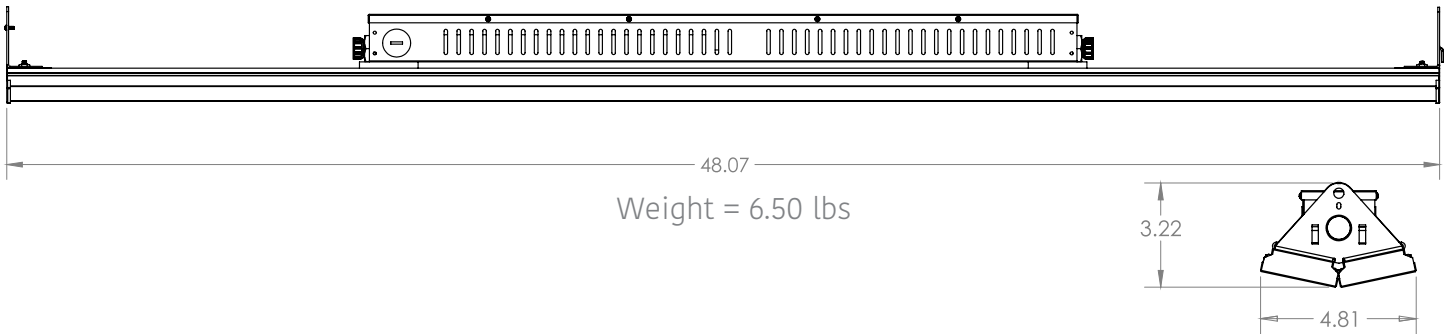
TCP®
325 Campus Dr. | Aurora, Ohio 44202 | P: 800-324-1496 | tcp.com



5 YEAR WARRANTY

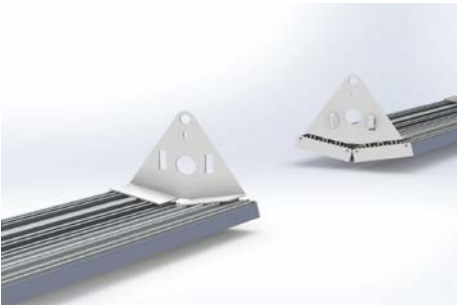
Not all versions of this product are qualified on the DLC QPL. To view our DLC qualified products, please consult the DLC Qualified Products List at www.designlights.org/qpl.

Wireline Dimensions



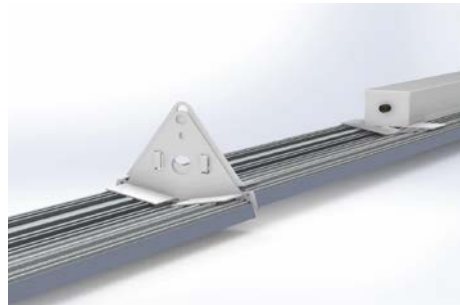
TCP Quick Connect System

Step 1:



Align male and female ends of the quick connect triangles

Step 2:



Slide together to fasten

Step 3:



Fasten locking screw until tight

Step 4:



Mechanical connection complete

Step 5:



Use Q5DAISY4FT TCP Quick Connect cable to daisy chain units together

Complete:



NOTE:

Electrical Daisy Chain Capabilities using Q5DAISY4FT:

55W model = 15 units in series

110W model = 8 units in series

TCP®

325 Campus Dr. | Aurora, Ohio 44202 | P: 800-324-1496 | tcp.com



5 YEAR WARRANTY

90+ CRI to boost colors of shelf product

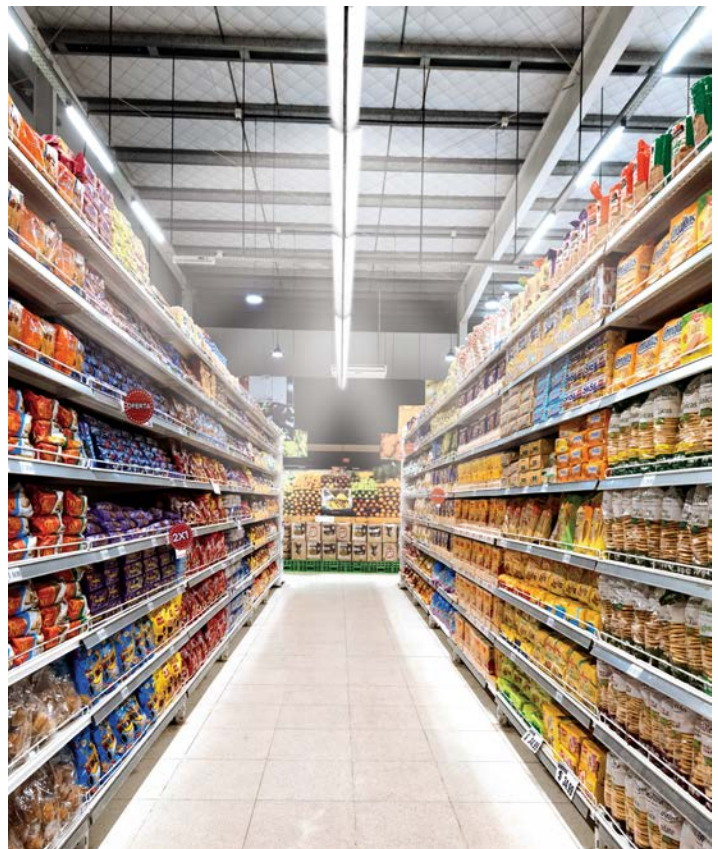
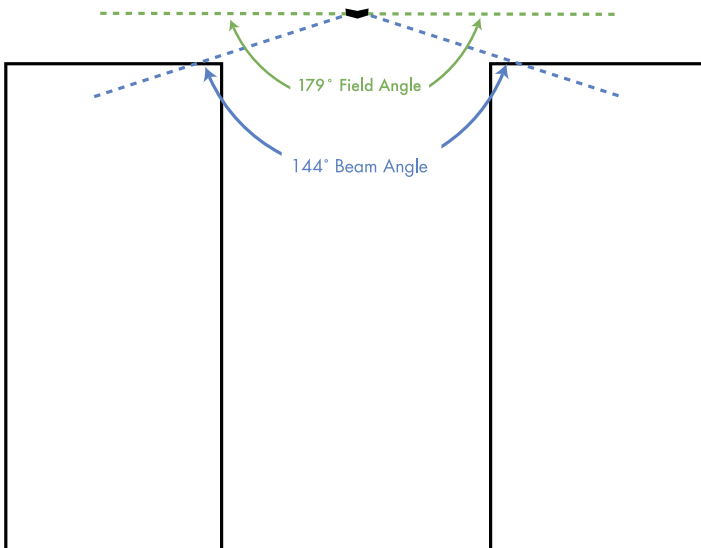


CRI >80



CRI >90

12 degree tilt results in a 144 degree beam angle



High Wall Wash Applications



QTL Aisle Light hung along wall. Eliminates cave effect in the upper corners of the room.

The QTL Aisle Light can be used in a wide variety of applications such as retail shopping and grocery. The 144° beam spread eliminates cave effect all the way up to the corners of the room.

TECHNOLOGY CAST IN A BEAUTIFUL LIGHT

For over 20 years, TCP has been designing, developing and delivering energy-efficient lighting into the market. Thanks to our cutting-edge technology and manufacturing expertise, we have shipped billions of high quality lighting products. With TCP, you can count on a lighting product that is designed to meet the needs of the market - that transforms your surroundings and envelopes you in warmth - lighting that generates beauty with every flip of the switch.

For more information on the quality and care TCP can deliver, call us at **800.324.1496** or visit tcp.com

325 Campus Dr. | Aurora, Ohio 44202 | P: 800.324.1496 | F: 877.487.0516

TECHNOLOGY CAST IN A BEAUTIFUL LIGHT

For over 20 years, TCP has been designing, developing and delivering energy-efficient lighting into the market. Thanks to our cutting-edge technology and manufacturing expertise, we have shipped billions of high quality lighting products. With TCP, you can count on a lighting product that is designed to meet the needs of the market - that transforms your surroundings and envelopes you in warmth - lighting that generates beauty with every flip of the switch.

Sales:

Date:

Model:

Project:

Rep:

Catalog Number:

Type:

Notes:



For more information on the quality and care TCP can deliver, call us at **800.324.1496** or visit tcp.com

325 Campus Dr. | Aurora, Ohio 44202 | P: 800.324.1496 | F: 877.487.0516