

## DESCRIPTION

Replace existing metal halide fixtures with these round LED sports lights in outdoor sports fields, stadiums, exhibition centers, and other similar locations to improve your overall light coverage. Using a fraction of the energy of their metal halide counterparts, these powerful sports lights greatly reduce energy costs while providing consistent lighting that can be easily aimed where needed using the included yoke mount.

## FEATURES

- Delivers up to 155 LPW for highly efficient performance
- Yoke mount adjusts up to 180-degrees
- 0-10V dimming; see Compatible Dimmers section for list of compatible dimmers

## LISTINGS

- ETL rated for wet locations
- IP66
- IK08

## PERFORMANCE

- CRI: 70
- CCT: 5000K
- L70 LED life: ≥100,000 hours
- Sosen driver

## THERMAL

- -22°F to 122°F or (-30°C to 50°C) operating temperature

## ELECTRICAL

- THD: <20%
- Power Factor: >0.92
- Input Voltage: 120-277V, 277-480V
- Surge Protection: 20kV
- Dimmable power supply (0-10V)

## INSTALLATION

- Designed for installation with included yoke mount; see installation instructions for more information.

## CONSTRUCTION

- Aluminum alloy housing with black powder coating finish
- Yoke mount has silver powder coating finish
- Polycarbonate optical lens

project name	type
catalog number	
comments	voltage
approved by	date



## WARRANTY

- 5-year limited warranty; see [pltsolutions.com](http://pltsolutions.com) for warranty details

## APPLICATIONS

- Parking Lots
- Outdoor Sports
- Stadium
- Exhibition Center

# PERFORMANCE SUMMARY

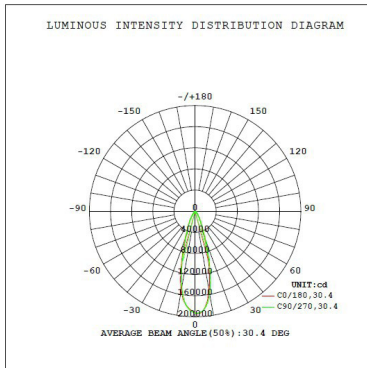
Item #	Watts	Lumens	LPW	CCT	Beam Angle	CRI	Dimming	Voltage	Replaces	
PLT-12441	480W	72,936	151	5000K	30°	70	0-10V	120-277V	MH1000	Built to Order Call for lead time
PLT-12442	480W	69,604	145	5000K	55°	70	0-10V	120-277V	MH1000	Built to Order Call for lead time
PLT-12443	480W	72,936	151	5000K	30°	70	0-10V	277-480V	MH1000	Built to Order Call for lead time
PLT-12444	480W	69,604	145	5000K	55°	70	0-10V	277-480V	MH1000	Built to Order Call for lead time
PLT-12445	600W	93,291	155	5000K	30°	70	0-10V	120-277V	MH1500	Built to Order Call for lead time
PLT-12446	600W	93,291	155	5000K	55°	70	0-10V	120-277V	MH1500	Built to Order Call for lead time
PLT-12447	600W	93,291	155	5000K	30°	70	0-10V	277-480V	MH1500	Built to Order Call for lead time
PLT-12448	600W	89,235	148	5000K	55°	70	0-10V	277-480V	MH1500	Built to Order Call for lead time

## DIMMER COMPATIBILITY

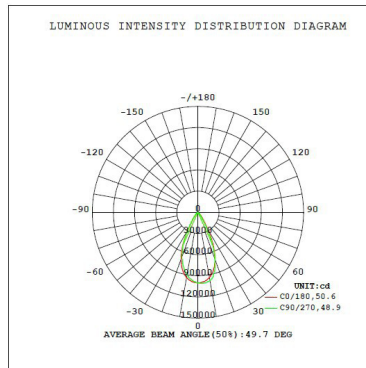
Brand	Part Number
Leviton	DS710
Lutron	DVSTV/DVTV
Cooper	SF10P
Hubbell	LHD-IRS3-N-WH

## PHOTOMETRICS

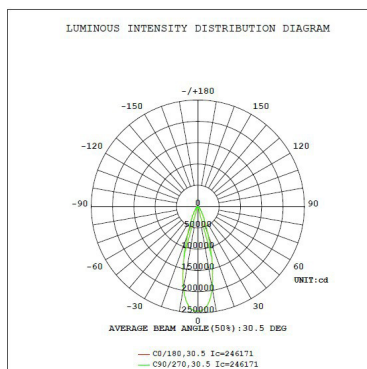
### 480W 30°



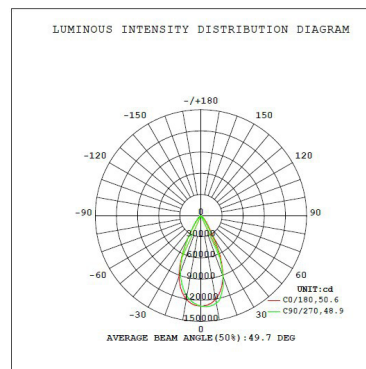
### 480W 55°



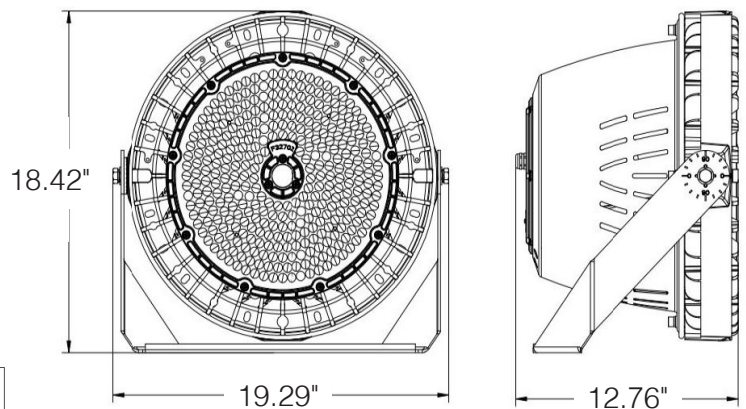
### 600W 30°



### 600W 55°



## DIMENSIONS



Height (w/ mount): 18.42"

Width (w/ mount): 19.29"

Depth: 20.24"

400W 120-277V Weight (w/ mount): 33.51 lbs

400W 277-480V Weight (w/ mount): 35.93 lbs

600W Weight (w/ mount): 35.93 lbs

Yoke Height: 10.08"

Yoke Width: 16.16"

Yoke Base Width: 4.53"

Yoke Arm Extension: 11.74"

## WARNINGS

- If mounting horizontally, do not face the fixture straight up.