

DESCRIPTION

Replace existing metal halide fixtures with these square LED sports lights in outdoor sports fields, stadiums, exhibition centers, and other similar locations to improve your overall light coverage. Using a fraction of the energy of their metal halide counterparts, these powerful sports lights greatly reduce energy costs while providing consistent lighting that can be easily aimed where needed using its LED heads and the included yoke mount.

FEATURES

- Delivers up to 140 LPW for highly efficient performance
- Replaces 1700 metal halide flood fixtures
- Yoke bracket adjust up to 90-degrees
- LED heads adjust up to 30-degrees
- 0-10V or 1-10V dimming depending on fixture voltage; see Compatible Dimmers section for list of compatible dimmers

LISTINGS

- ETL rated for wet locations
- IP66
- IK08
- RoHS

PERFORMANCE

- CRI: 70
- CCT: 5000K
- Rated lifetime L70: 50,000 hours
- Sosen driver

THERMAL

- -22°F to 122°F or (-30°C to 50°C) operating temperature

ELECTRICAL

- THD: <20%
- Power Factor: >0.92
- Input Voltage: 120-277V, 277-480V
- Surge Protection: 20kV SPD
- Dimmable power supply (0-10V or 1-10V)

INSTALLATION

- Designed for installation with included yoke bracket; see installation instructions for more information.

CONSTRUCTION

- Aluminum alloy housing with silver powder coating
- Polycarbonate optical lens

project name	type
catalog number	
comments	voltage
approved by	date



RoHS
Compliant



WARRANTY

- 5 year prorated warranty; see pltsolutions.com for warranty details

APPLICATIONS

- Parking Lots
- Outdoor Sports
- Stadium
- Exhibition Center

PERFORMANCE SUMMARY

Item #	Watts	Lumens	LPW	CCT	Beam Angle	CRI	Dimming	Voltage	Replaces	
PLT-12429	400W	56,000	140	5000K	30°	70	1-10V	120-277V	MH1700	Built to Order Call for lead time
PLT-12430	400W	56,000	140	5000K	45°	70	1-10V	120-277V	MH1700	Built to Order Call for lead time
PLT-12431	400W	56,000	140	5000K	60°	70	1-10V	120-277V	MH1700	Built to Order Call for lead time
PLT-12432	400W	56,000	140	5000K	30°	70	0-10V	277-480V	MH1700	Built to Order Call for lead time
PLT-12433	400W	56,000	140	5000K	45°	70	0-10V	277-480V	MH1700	Built to Order Call for lead time
PLT-12434	400W	56,000	140	5000K	60°	70	0-10V	277-480V	MH1700	Built to Order Call for lead time
PLT-12435	600W	84,000	140	5000K	30°	70	1-10V	120-277V	MH1700	Built to Order Call for lead time
PLT-12436	600W	84,000	140	5000K	45°	70	1-10V	120-277V	MH1700	Built to Order Call for lead time
PLT-12437	600W	84,000	140	5000K	60°	70	1-10V	120-277V	MH1700	Built to Order Call for lead time
PLT-12438	600W	84,000	140	5000K	30°	70	0-10V	277-480V	MH1700	Built to Order Call for lead time
PLT-12439	600W	84,000	140	5000K	45°	70	0-10V	277-480V	MH1700	Built to Order Call for lead time
PLT-12440	600W	84,000	140	5000K	60°	70	0-10V	277-480V	MH1700	Built to Order Call for lead time

DIMMER COMPATIBILITY

Brand	Part Number
Leviton	DS710
Lutron	DVSTV/DVTV
Cooper	SF10P
Hubbell	LHD-IRS3-N-WH

DIMENSIONS

400W FIXTURE

Length: 15.1"

Length (w/ mount): 17.3"

Width: 11.92"

Width (w/ mount): 13.18"

Depth: 6.25"

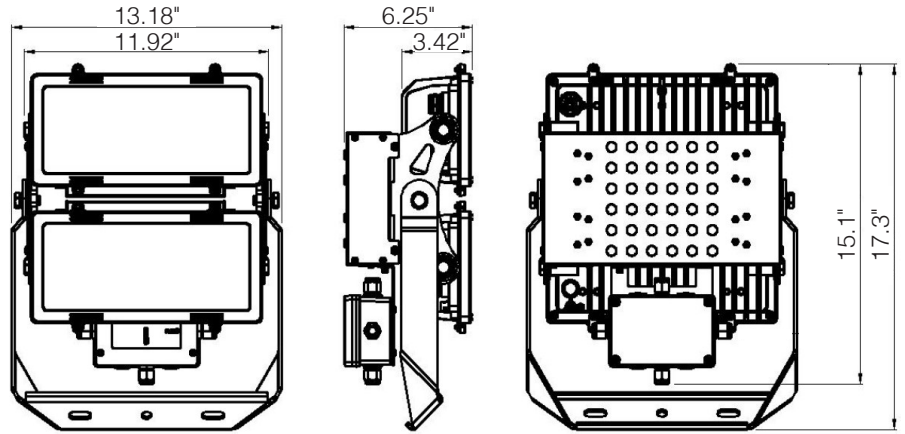
Individual LED Head Depth: 3.42"

Weight (w/ mount): 23.15 lbs

U-Bracket Height: 8.47"

U-Bracket Width: 13.18"

U-Bracket Arm Extension: 8.92"



600W FIXTURE

Length: 19.7"

Length (w/ mount): 22.1"

Width: 11.92"

Width (w/ mount): 13.18"

Depth: 6.41"

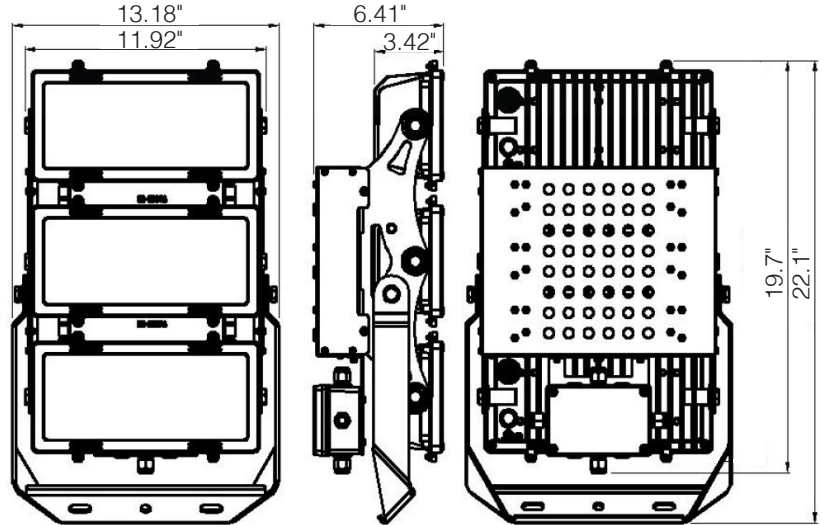
Individual LED Head Depth: 3.42"

Weight (w/ mount): 33.07 lbs

U-Bracket Height: 8.47"

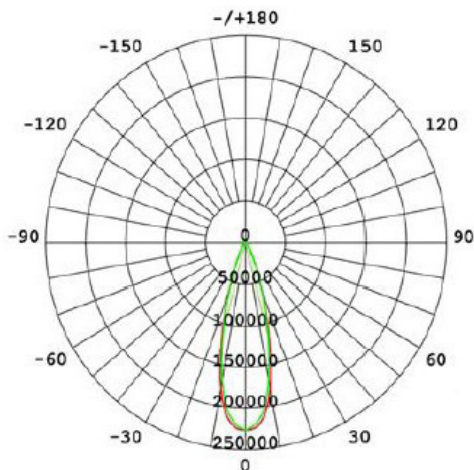
U-Bracket Width: 13.18"

U-Bracket Arm Extension: 8.92"

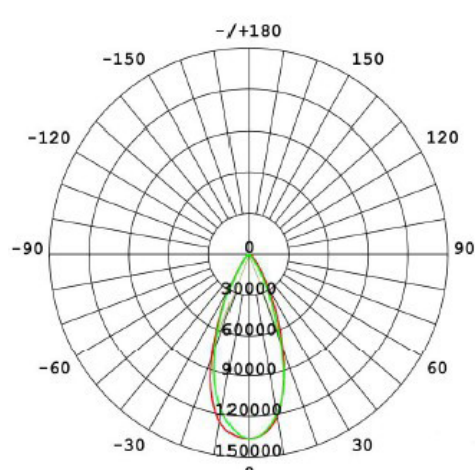


PHOTOMETRICS

400-600W 30°



400-600W 45°



400-600W 60°

