



⚠ WARNING

- Before installing, servicing, or performing routine maintenance upon this equipment, follow these general precautions.
- To reduce the risk of death, personal injury, or property damage from fire, electric shock, falling parts, cuts/abrasions, and other hazards, read all warnings and instructions included with and on the fixture box and all fixture labels.
- Proper grounding is required to ensure safety.
- Power must be turned off at the breaker before installation or maintenance.
- Installation, service, and maintenance of luminaires should be performed by a qualified licensed electrician.
- Wear gloves and eye protection at all times while installing, servicing, or performing maintenance on the luminaire, and avoid direct eye exposure to the light source while it is on.
- Do not install damaged product. Inspect luminaire for damage that may have occurred during transit. If damaged, contact the manufacturer immediately.
- These instructions do not purport to cover all details or variations in equipment nor to provide every possible contingency to meet in connection with installation, operation, or maintenance. Should further information be desired or should particular problems arise which are not covered sufficiently for the purchaser's or owner's purposes, contact the manufacturer.

⚠ ADVERTENCIA

- Antes de instalar, reparar o realizar el mantenimiento de rutina de este equipo, siga estas precauciones generales.
- Para reducir el riesgo de muerte, lesiones personales o daños a la propiedad por fuego, descarga eléctrica, caída de piezas, cortes / abrasiones y otros peligros, lea todas las advertencias y instrucciones incluidas con y en la caja del dispositivo y todas las etiquetas del dispositivo.
- Se requiere una conexión a tierra adecuada para garantizar la seguridad.
- Se debe apagar la energía en el disyuntor antes de la instalación o el mantenimiento.
- La instalación, el servicio y el mantenimiento de las luminarias deben ser realizados por un electricista autorizado y calificado.
- Utilice guantes y protección para los ojos en todo momento durante la instalación, el servicio o el mantenimiento de la luminaria, y evite la exposición directa de los ojos a la fuente de luz mientras está encendida.
- No instale un producto dañado. Inspeccione la luminaria en busca de daños que puedan haber ocurrido durante el tránsito. Si está dañado, comuníquese con el fabricante de inmediato.
- Estas instrucciones no pretenden cubrir todos los detalles o variaciones en el equipo ni proporcionar todas las posibles contingencias a cumplir en relación con la instalación, operación o mantenimiento. Si desea obtener más información o si surgen problemas particulares que no están suficientemente cubiertos para los propósitos del comprador o propietario, comuníquese con el fabricante.

⚠ AVERTISSEMENT

- Avant d'installer, d'entretenir ou d'effectuer une maintenance de routine sur cet équipement, veuillez suivre ces précautions générales.



- Pour réduire le risque de décès, de blessures corporelles ou de dommages matériels dus à un incendie, un choc électrique, des chutes de pièces, des coupures/abrasions et d'autres dangers, lisez tous les avertissements et les instructions inclus avec et sur la boîte du luminaire et toutes les étiquettes des luminaires.
- Une mise à la terre appropriée est requise pour assurer la sécurité.
- L'alimentation doit être coupée au niveau du disjoncteur avant l'installation ou l'entretien de cet équipement.
- L'installation, l'entretien et la maintenance des luminaires doivent être effectués par un électricien qualifié et agréé.
- Portez des gants et des lunettes de protection à tout moment lors de l'installation, de l'entretien ou de la maintenance du luminaire, et évitez de regarder directement la source lumineuse lorsqu'elle est allumée.
- N'installez pas de produit endommagé. Inspectez le luminaire pour vérifier s'il présente des dommages qui ont pu se produire pendant le transport. S'il est endommagé, contactez immédiatement le fabricant.
- Ces instructions ne prétendent pas couvrir tous les détails ou variations de l'équipement ni fournir toutes les éventualités possibles que vous pourriez rencontrer en rapport avec l'installation, l'exploitation ou la maintenance. Si vous souhaitez des informations supplémentaires ou si des problèmes particuliers surviennent et qu'ils ne sont pas suffisamment couverts pour les besoins de l'acheteur ou du propriétaire, contactez le fabricant.

CAUTION

- Install this product in accordance with country, regional and local laws and regulations.
- If unsure about the installation or maintenance of this product, consult a qualified electrician and check the local electrical code.
- To prevent wiring damage or abrasion, do not expose wiring to edges of sheet metal or other sharp objects.
- Do not make or alter any open holes in an enclosure of wiring or electrical components during installation.
- Verify the supply voltage is correct by comparing it with the luminaire label information.
- All wiring connections should be capped with UL approved wire connectors.
- Avoid direct eye exposure to the light source while it is on.
- Account for small parts and destroy packing material, as these may be hazardous to children.
- Risk of burn. Disconnect power and allow fixture to cool before changing/handling fixture.

NOTICE

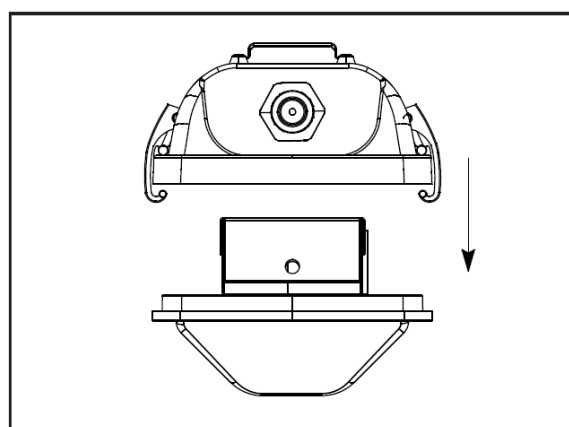
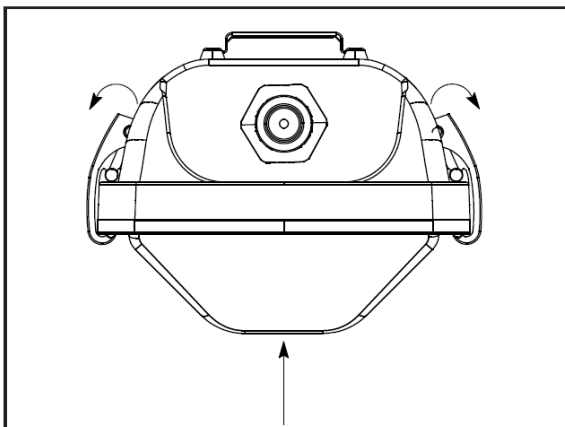
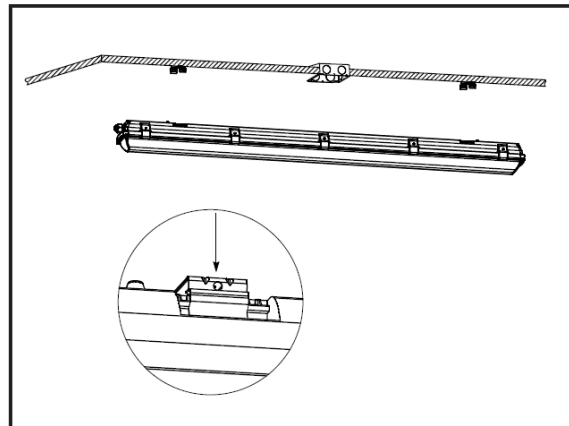
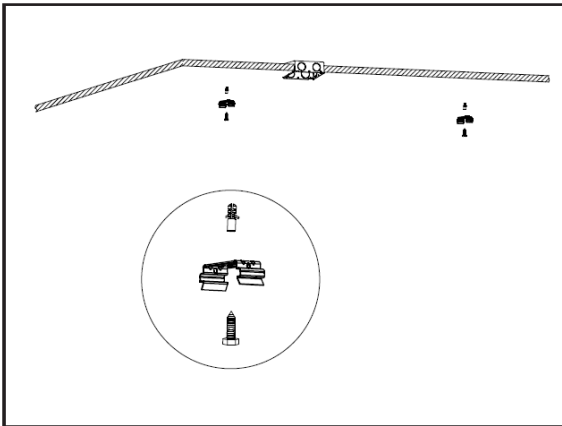
- A green ground screw provided in proper location. Do not relocate.
- Use minimum 90° supply conductors.
- Specifications and dimensions subject to change without notice.
- Suitable for wet locations.



Installation Instructions

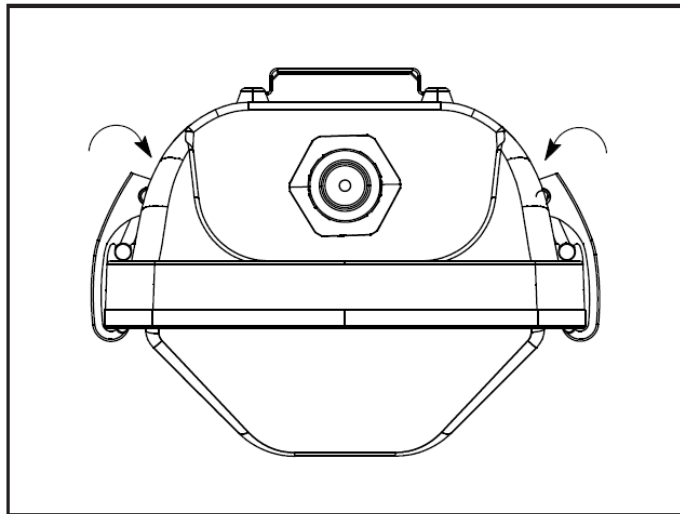
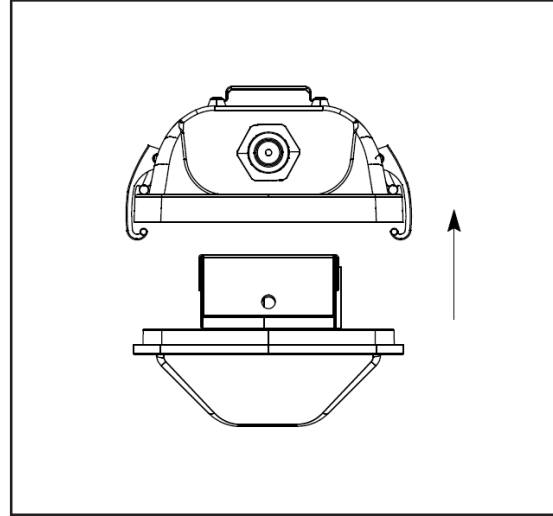
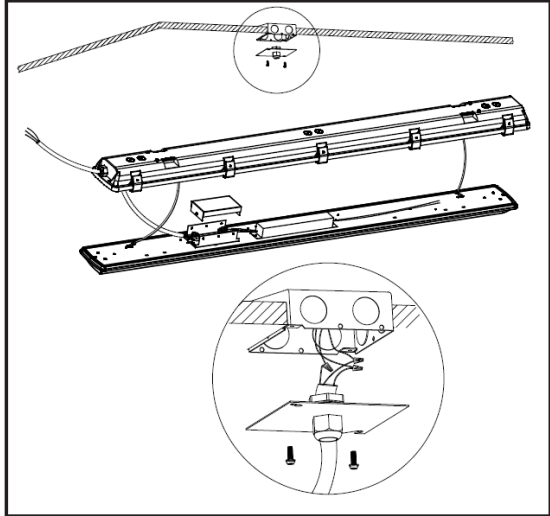
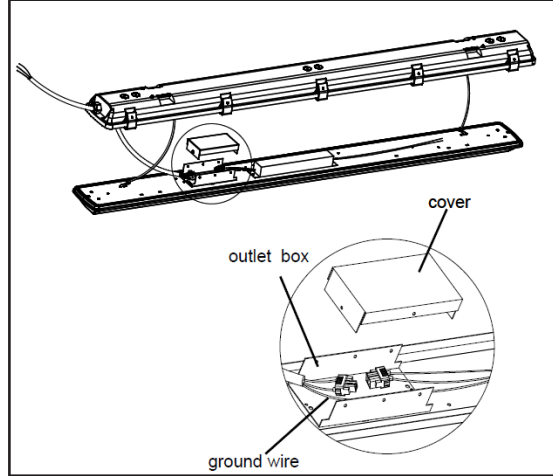
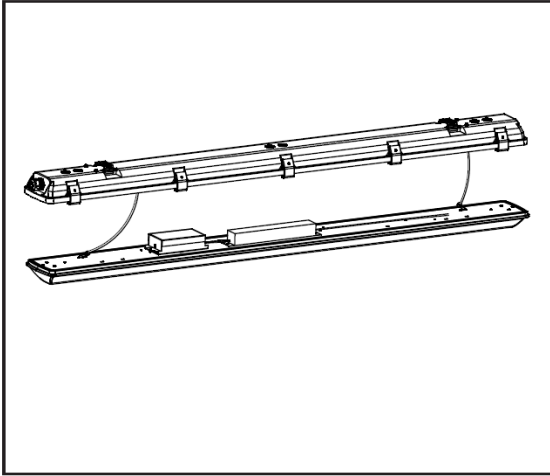
Surface Mount

- Locate the drill holes for the mounting brackets. Use the hardware found in the hardware kit to mount the bracket to the desired surface.
- Secure the mounting clips to the fixture housing recesses by firmly pressing them into place until both sides of the clip are secured.
- Release the latches by pulling the top of the latch away from the fixture housing.
- Without touching the LED boards, detach the LED tray and lens assembly from the fixture.
- Locate the safety cable when opening the fixture and verify it is connected to both the fixture housing and the LED tray and lens assembly before making the electrical connections.
- Thread the incoming power cord (supplied by others) through the liquid-tight knockout on the fixture housing.
- Connect the incoming power cord leads to the LED driver through the outlet box. See the Wiring Diagram section below for proper wiring. Make sure to snap the cover to the outlet box after wiring.
- Use the UL listed strain relief cord connector to secure the cord to the liquid-tight knockout on the fixture.
- Verify the incoming power cord is attached to the junction box with a UL listed strain relief cord connector.
- Reattach the LED tray and lens assembly to the fixture housing and secure the assembly using the latches.
- Power on the fixture to verify proper operation.





WATTAGE/COLOR SELECTABEL LED VAPOR TIGHT SAFETY AND INSTALLATION INSTRUCTIONS

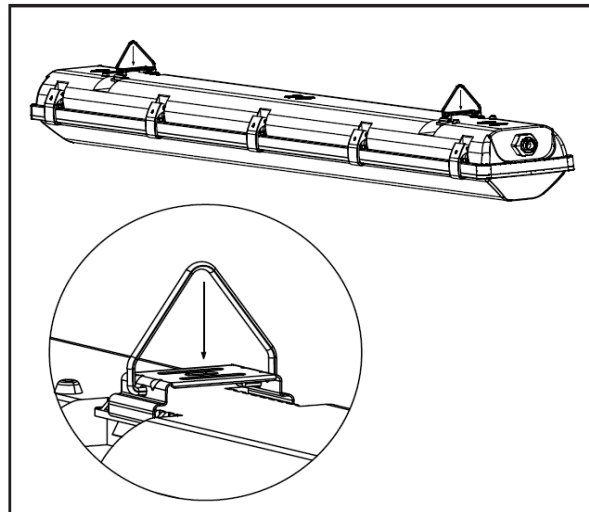
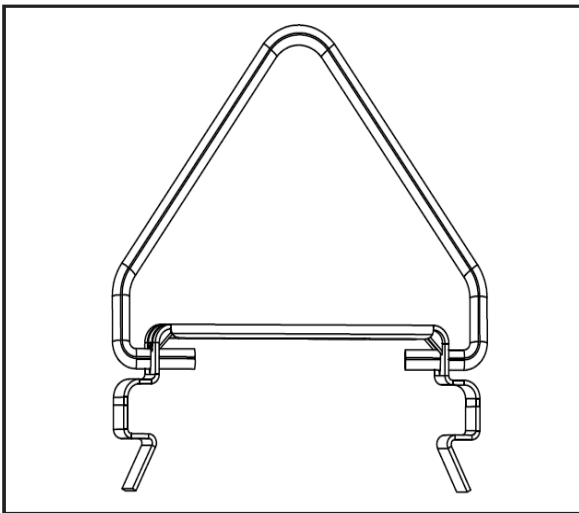




Installation Instructions

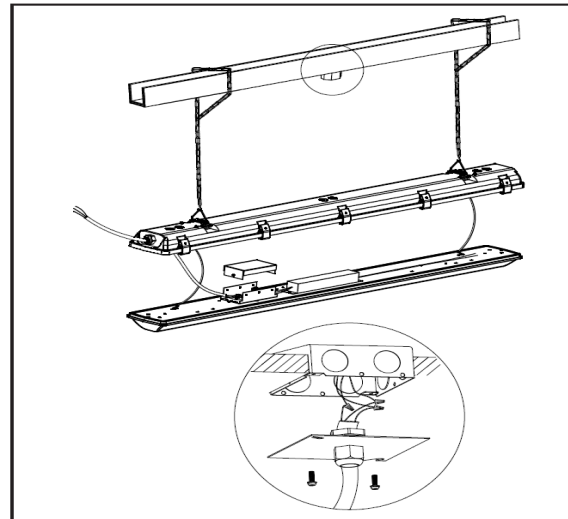
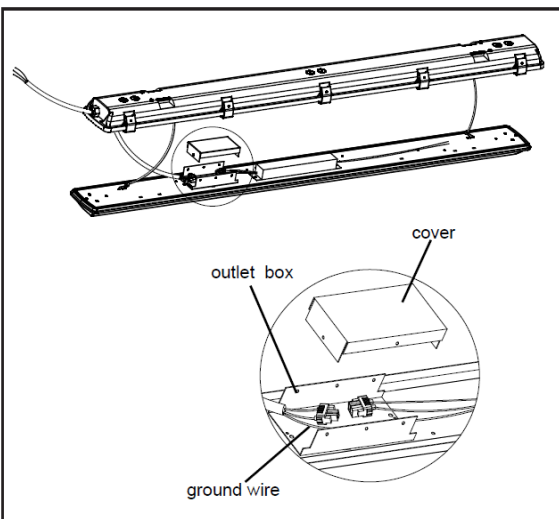
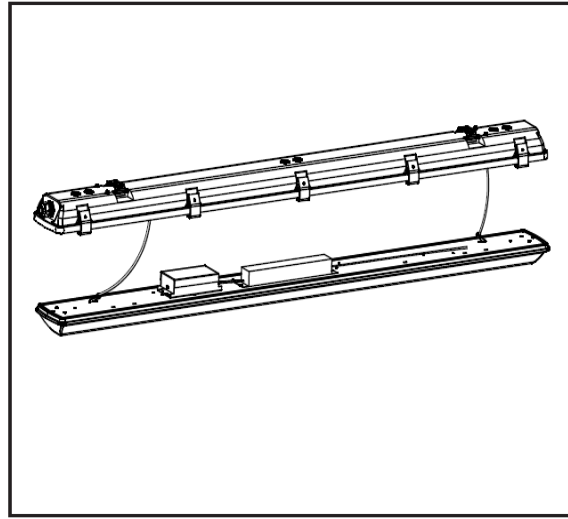
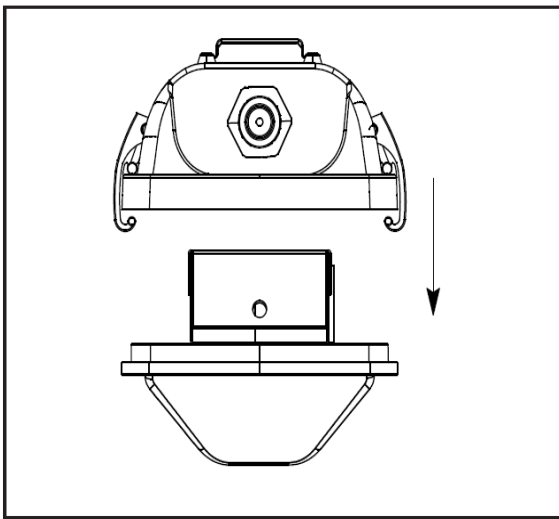
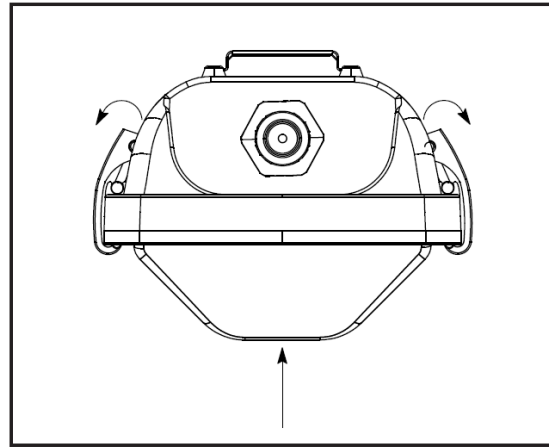
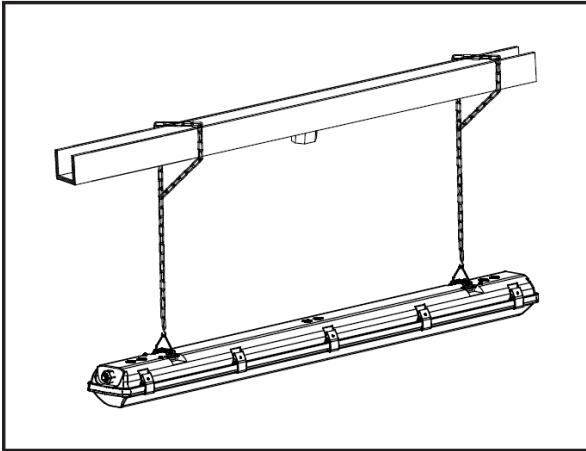
Suspended Mount

- Attach the V-bracket to each mounting clip by spreading the end of the V-bracket apart and then inserting the legs of the V-bracket into the holes in the side of the mounting clips.
- Secure the mounting clips to the fixture housing recesses by firmly pressing them into place until both sides of the clip are secured.
- Hang the fixture using the V-brackets and appropriate suspension hardware (supplied by others).
- Release the latches by pulling the top of the latch away from the fixture housing.
- Without touching the LED boards, detach the LED tray and lens assembly from the fixture.
- Locate the safety cable when opening the fixture and verify it is connected to both the fixture housing and the LED tray and lens assembly before making the electrical connections.
- Thread the incoming power cord (supplied by others) through the liquid-tight knockout on the fixture housing.
- Connect the incoming power cord leads to the LED driver through the outlet box. See the Wiring Diagram section below for proper wiring. Make sure to snap the cover to the outlet box after wiring.
- Use the UL listed strain relief cord connector to secure the cord to the liquid-tight knockout.
- Verify the incoming power cord is attached to the junction box with a UL listed strain relief cord connector.
- Reattach the LED tray and lens assembly to the fixture housing and secure the assembly using the latches.
- Power on the fixture to verify proper operation.



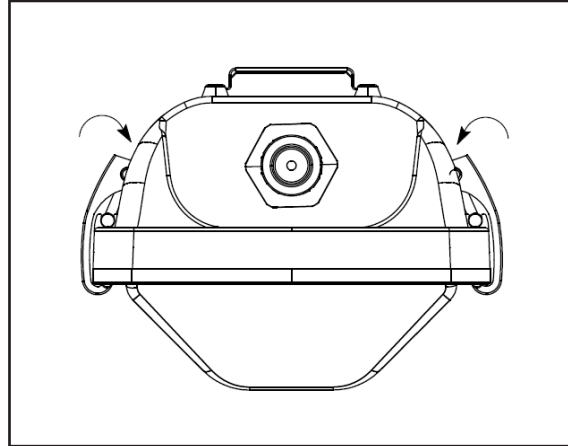
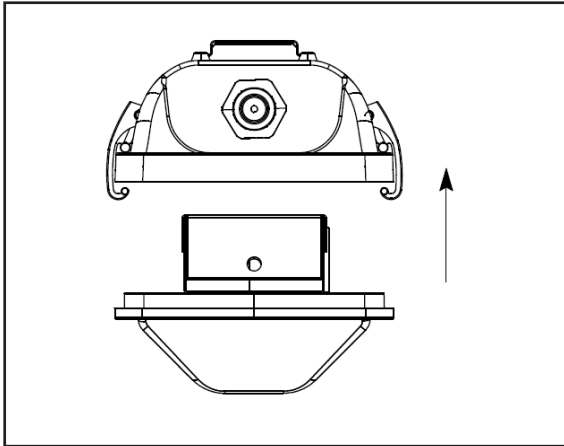


WATTAGE/COLOR SELECTABEL LED VAPOR TIGHT SAFETY AND INSTALLATION INSTRUCTIONS





WATTAGE/COLOR SELECTABEL LED VAPOR TIGHT SAFETY AND INSTALLATION INSTRUCTIONS



Wiring Diagram

