

DESCRIPTION

Reduce energy and maintenance costs by replacing 400W metal halide bulbs with these more efficient 120W LED high bay retrofit bulbs.

FEATURES

- Delivers 131 LPW for highly efficient performance
- Long-neck extended mogul EX39 base
- Vertical, base up burn position
- Safety cable included
- Ballasts, capacitors, and ignitors must be removed (bypassed) from fixture during installation; see installation instructions for more information
- Approximately 5% of light output is used to provide uplighting and eliminate shadows

LISTINGS

- UL rated for damp locations
- IP64
- RoHS
- DesignLights Consortium® 5.1 Standard - meets the requirements for the highest DLC qualification for efficacy and lumen maintenance; DLC PN - PLTSN74132

PERFORMANCE

- CRI: >80
- CCT: 4000K
- Rated lifetime L70: 50,000 hours
- Philips Lumileds LEDs

THERMAL

- -40°F to 122°F (-40°C to 50°C) operating temperature

ELECTRICAL

- THD: ≤20%
- Power Factor: ≥0.9
- Input Voltage: 120-277V
- Surge Protection: 4 to 6kV

INSTALLATION

- S/MH (CO/C180): 1.31
- S/MH (C90/C270): 1.33

project name	type
catalog number	
comments	voltage
approved by	date



WARRANTY

- 5 year limited warranty; see pltsolutions.com for warranty details

APPLICATIONS

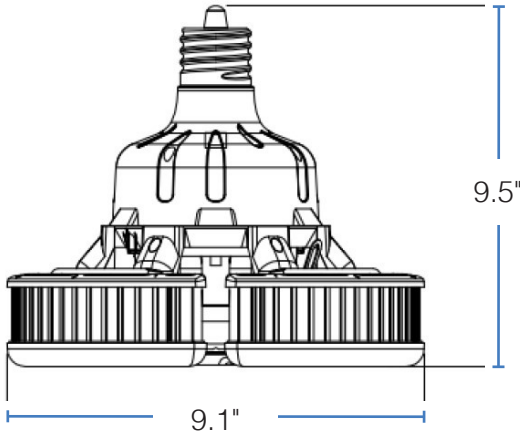
- Warehouses
- Factories
- Convention Centers
- Industrial Buildings

PERFORMANCE	Power Consumption	120 Watt
	Lumens	15779
	Efficacy (LPW)	131
	CRI	>80
	CCT	4000K
	Life (L70)	50000
ELECTRICAL	Power Factor	≥0.9
	THD	≤20%
	Input Voltage	120-277V
CONSTRUCTION	Operating Temperature	-40°F to 122°F (-40°C to 50°C)
	Base	EX39
LISTINGS	Certifications	UL Rated; IP64
	Material Usage	RoHS - No mercury or lead
	Environment	Damp Location Rated

PERFORMANCE SUMMARY

Item #	Watts	Lumens	LPW	Voltage	Replaces	CCT	CRI	Beam	Life/Hours	DLC #	DLC Rating
PLTS-12077	120	15,779	131	120-277V	MH400	4000K	>80	113°	50000	PLTSN74132	5.1 Standard

DIMENSIONS



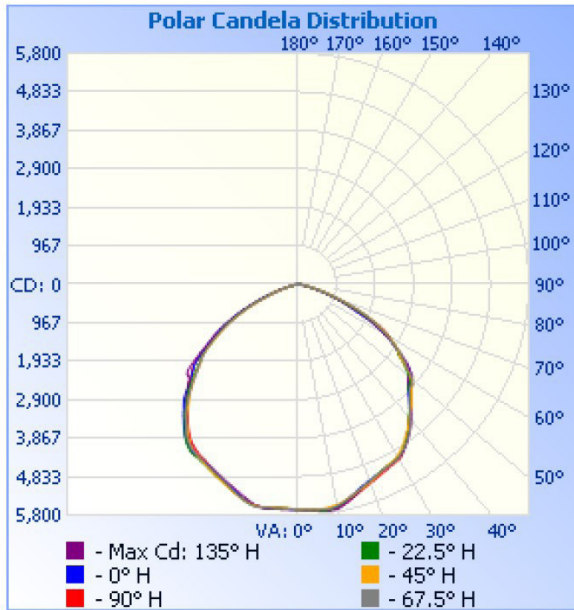
DIMENSIONS

Height: 9.5"

Width: 9.1"

Weight: 3.7 lbs

PHOTOMETRICS



WARNINGS

- Not for use with dimmers.
- This lamp is not rated for use in enclosed fixtures.
- This lamp is not intended for use with emergency exits.
- Do not use this lamp in an environment where there is smoke, sulfur, and corrosive substances.