



## DESCRIPTION

Replace existing 2x2 or 2x4 fluorescent fixtures in drop ceilings with these more efficient and longer lasting wattage and color selectable LED panels.

## FEATURES

- Efficiently replaces 2 or 3 lamp fluorescent fixtures
- Lightweight, low-profile design for one-person installation
- IC Rated for direct contact with insulation
- Light output varies depending on wattage and color temperature selected; see Selectable Table for full breakdown
- Wattage and color temperature are selectable via switches on the back of the fixture; see installation instruction for more information
- 0-10V dimming

## LISTINGS

- UL rated for damp locations
- IC Rated
- DesignLights Consortium® 5.1 Standard - meets the requirements for the highest DLC qualification for efficacy and lumen maintenance

## PERFORMANCE

- CRI: 80+
- CCT: 3500K, 4000K, and 5000K
- LED L70 Life Hours: 100,000

## THERMAL

- -4°F to 122°F (-20°C to 50°C) operating temperature

## ELECTRICAL

- THD: < 20%
- Power Factor: 0.9
- Input Voltage: 120-277V
- Dimmable power supply (0-10V)
- Surge protection: 2kV

## INSTALLATION

- Designed for recessed mounting into a T-grid (T-bar clips attached) ceiling or surface mounting (requires additional accessories sold separately, see Mounting Accessories section); See installation instructions for more information on how to install these fixtures

## CONSTRUCTION

- Galvanized steel housing with white finish
- Opaque lens evenly distributes light

project name	type
catalog number	
comments	voltage
approved by	date



## WARRANTY

- 5 year limited warranty; see [pltsolutions.com](http://pltsolutions.com) for warranty details

## APPLICATIONS

- Offices
- Hallways
- Classrooms
- Multipurpose Areas
- Conference Rooms

## PERFORMANCE SUMMARY

Item #	Size	Watts*	CCT*	CRI	Dimming	Voltage	Replaces	DLC #	DLC Rating
PLT-90243	2x2	25/ 30/ 40	3500K/ 4000K/ 5000K	80+	0-10V	120-277V	2 or 3 Lamp Fluorescent	PLTM52151	5.1 Standard
PLT-90244	2x4	30/ 40/ 50	3500K/ 4000K/ 5000K	80+	0-10V	120-277V	3 Lamp Fluorescent	PLTM53251	5.1 Standard

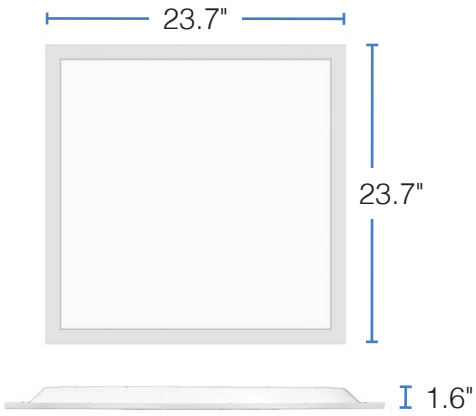
\* See Selectable Table for full breakdown

## SELECTABLE TABLE

Item #	Wattage	CCT	Lumens	Efficacy
PLT-90243	25	3500K	2900	116
		4000K	2925	117
		5000K	2950	118
	30	3500K	3390	113
		4000K	3420	114
		5000K	3450	115
	40	3500K	4400	110
		4000K	4440	111
		5000K	4480	112
PLT-90244	30	3500K	3480	116
		4000K	3510	117
		5000K	3540	118
	40	3500K	4520	113
		4000K	4560	114
		5000K	4600	115
	50	3500K	5500	110
		4000K	5550	111
		5000K	5600	112

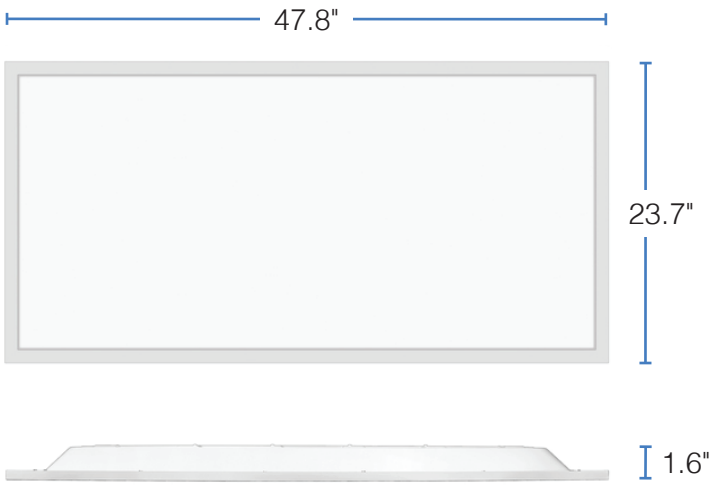
## MOUNTING ACCESSORIES

Item #	Description
PLT-90203	2x2 Surface Mount Kit - For Use with 2x2 PLT Solutions LED Panels
PLT-90204	2X4 Surface Mount Kit - For Use with 2X4 PLT Solutions LED Panels



**2X2 DIMENSIONS**

Length: 23.7"  
Height: 1.6"  
Width: 23.7"  
Weight: 5.78 lbs



**2X4 DIMENSIONS**

Length: 47.8"  
Height: 1.6"  
Width: 23.7"  
Weight: 9.22 lbs