



# COLOR SELECTABLE ULTRA-THIN LED DOWNLIGHT

## DESCRIPTION

Add downlights as part of new construction or renovation projects with these easy to install ultra-thin LED downlights featuring 5 selectable color temperatures.

## FEATURES

- Energy efficient replacement for 60W, 75W, and 100W incandescents
- High color rendering index (CRI) of 90 makes color appear more naturally
- Comes with remote junction box that allows for installation around obstructions
- IC Rated and air-tight
- Dimmable; see Compatible Dimmers section for full list of compatible dimmers
- Color temperature can be adjusted via switch on back of fixture; see installation instructions for more information

## LISTINGS

- ETL Listed for damp locations
- IC Rated
- RoHS
- JA8
- Energy Star

## PERFORMANCE

- CRI: 90
- CCT: 2700K, 3000K, 3500K, 4000K, and 5000K
- Rated Lifetime L70: 50,000 hours

## ELECTRICAL

- Power Factor: >0.9
- Input Voltage: 120V
- Surge Protection: 2.5kV

## THERMAL

- -4°F to 104°F (-20°C to 40°C) operating temperature

## CONSTRUCTION

- Aluminum body with aluminum trim, both with white finish
- White translucent acrylic lens

## WARRANTY

- 3 year limited warranty; see [pltsolutions.com](http://pltsolutions.com) for warranty details

project name	type
catalog number	
comments	voltage
approved by	date



## APPLICATIONS

- Offices
- Lobbies
- Conference Rooms
- Living Rooms
- Hallways
- Bathrooms
- Laundry Rooms

PERFORMANCE	Power Consumption	9, 12, 14, 22 Watt
	Lumens	600, 800, 900, 1600
	Efficacy (LPW)	64, 67, 73
	CRI	90
	CCT	2700K, 3000K, 3500K, 4000K, 5000K
	Beam Angle	110°
	Life (L70)	50,000
ELECTRICAL	Power Factor	>0.9
	Input Voltage	120V
CONSTRUCTION	Finish	White
	Lens	Frosted
LISTINGS	Certifications	ETL Listed; JA8; Energy Star
	Material Usage	RoHS – No mercury or lead
	Environment	Damp Location Rated

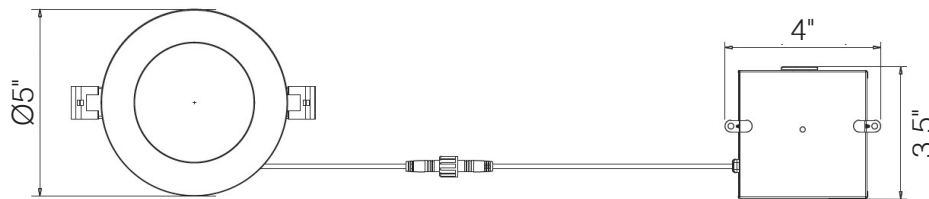
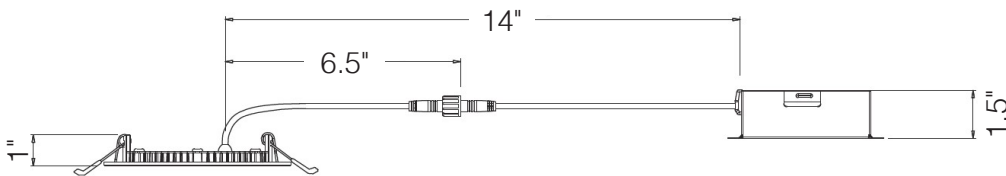
## PERFORMANCE SUMMARY

Item #	Size	Lumens	Wattage	LPW	Voltage	Replaces	CCT	CRI	Life/Hours	Dimmable
PLT-12399	4"	600	9	67	120V	60W Incan.	2700K/ 3000K/ 3500K/ 4000K/ 5000K	90	50,000	Yes
PLT-12404	4"	800	12	67	120V	75W Incan.	2700K/ 3000K/ 3500K/ 4000K/ 5000K	90	50,000	Yes
PLT-12405	6"	900	14	64	120V	75W Incan.	2700K/ 3000K/ 3500K/ 4000K/ 5000K	90	50,000	Yes
PLT-12406	8"	1600	22	73	120V	100W Incan.	2700K/ 3000K/ 3500K/ 4000K/ 5000K	90	50,000	Yes

## DIMMER COMPATIBILITY

Brand	Model #
Lutron	PD-6WCL
Lutron	DVCL-153P
Lutron	SFTU-5A3P
Lutron	DMD-LE3-D
Lutron	CTCL-153P
Lutron	DV-600P
Leviton	6621
Leviton	6672
Leviton	IPL06-10Z
Cooper	SI06P

## DIMENSIONS

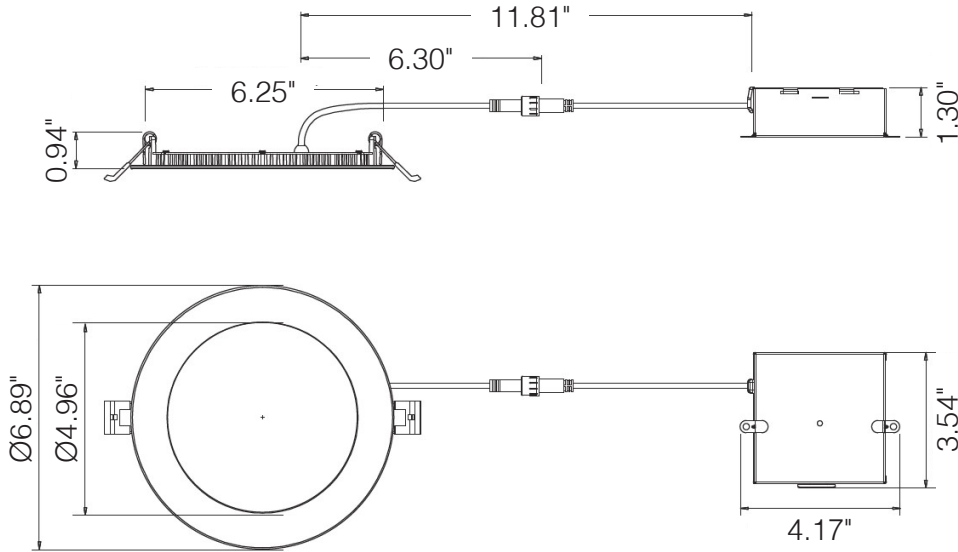


**CUT OUT: Ø 4.25"**

### 4" DIMENSIONS:

- Outside Diameter: 5"
- Inside Diameter: 3.25"
- Height: 1"
- Cable Length (downlight half): 6.5"
- Weight: 0.72 lbs
- Junction Box Length: 3.5"
- Junction Box Width: 4"
- Junction Box Height: 1.5"
- Combined Cable Length: 14"

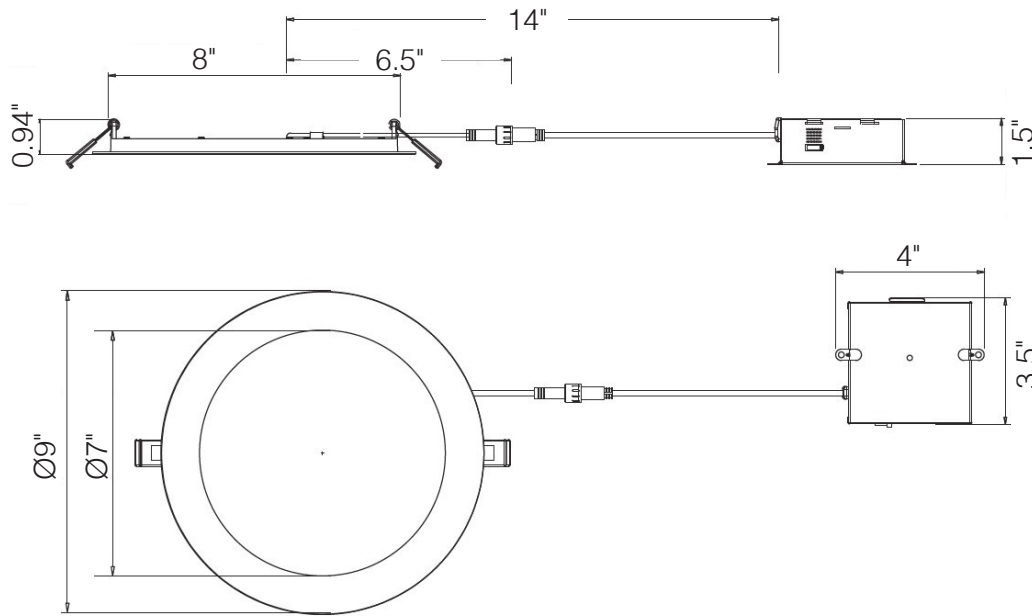
## DIMENSIONS



**CUT OUT:  $\text{\O}6.25$ "**

### **6" DIMENSIONS:**

Outside Diameter: 6.89"  
Inside Diameter: 4.96"  
Height: 0.94"  
Cable Length (downlight half): 6.30"  
Weight: 0.86 lbs  
Junction Box Length: 3.54"  
Junction Box Width: 4.17"  
Junction Box Height: 1.30"  
Combined Cable Length: 11.81"



**CUT OUT:  $\text{\O}8.25$ "**

### **8" DIMENSIONS:**

Outside Diameter: 9"  
Inside Diameter: 7"  
Height: 0.94"  
Cable Length (downlight half): 6.5"  
Weight: 1.25 lbs  
Junction Box Length: 3.5"  
Junction Box Width: 4"  
Junction Box Height: 1.5"  
Combined Cable Length: 14"

## WARNINGS

- Only use this LED downlight with the dimmers listed in the compatibility list. Using this downlight with incompatible dimmers may cause performance issues including humming, buzzing, flickering, and poor dimming performance.
- Cutout size requirements: 4"–4.25"; 6"–6.25"; 8"–8.25"