

DESCRIPTION

Replace existing fluorescent wraparound fixture with these linkable LED wraparound fixtures to reduce maintenance and energy costs.

FEATURES

- Up to 10 fixtures can be linked together using included linking attachment for end-to-end linking
- Linking cable also included, allows fixtures to be spaced up to 7.8 inches apart
- Efficiently replaces a 2 lamp fluorescent fixture

LISTINGS

- ETL rated for damp locations
- IP40
- FCC
- RoHS

PERFORMANCE

- CRI: 80
- CCT: 4000K
- Rated Lifetime L70: 50,000 hours

THERMAL

- -4°F to 104°F (-20°C to 40°C) operating temperature

ELECTRICAL

- Power Factor: 0.9
- Input Voltage: 120V

INSTALLATION

- Designed for surface mounting with included mounting hardware; see installation instructions for more details

CONSTRUCTION

- 22 gauge cold-rolled steel housing with white finish
- Polycarbonate lens protects LEDs while evenly distributing light with reduced glare

WARRANTY

- 3 year limited warranty; see pltsolutions.com for warranty details

project name	type
catalog number	
comments	voltage
approved by	date



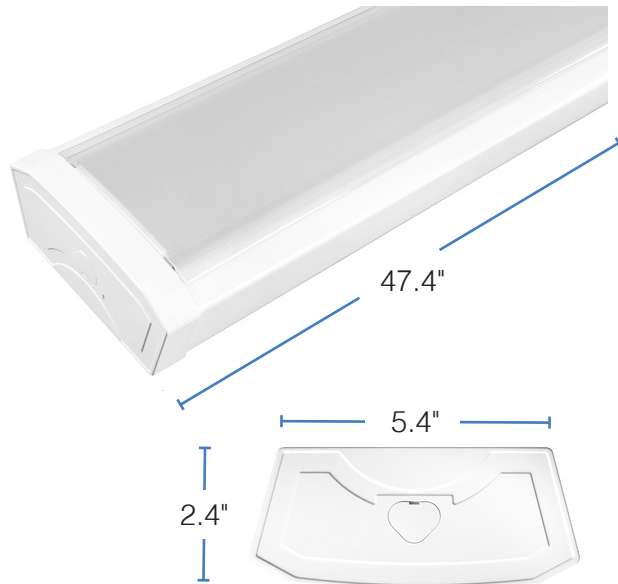
APPLICATIONS

- Stairways
- Bathrooms
- Utility and Storage Areas
- Hallways
- Offices

PERFORMANCE SUMMARY

Item #	Watts	Lumens	LPW	CCT	CRI	Dimming	Voltage	Replaces
PLT-11670	40	3500	88	4000K	80	No	120V	2 Lamp Fluorescent

DIMENSIONS



DIMENSIONS

Length: 47.4"

Height: 2.4"

Width: 5.4"

Weight: 5.3 lbs

Linking Cable: 7.8"