



PL-S ALTO 13W/850 GX23/2P 1CT

Product family description
PL-S Short 2pin Fluorescent Lamp.

Features/Benefits

- High Lamp Efficacy - up to 67 LPW.
- Excellent Color Rendering - 82 Color Rendering Index (CRI).
- Available in 5, 7, 9 and 13 wattages.
- Long Life - 10,000 hour ave. rated life.
- Designed for use with magnetic ballasts - integral starter cuts installation wiring costs and permits use of small choke ballasts.

Applications

- Ideal for Task Lighting, Corridor, Security, General Lighting.

Notes

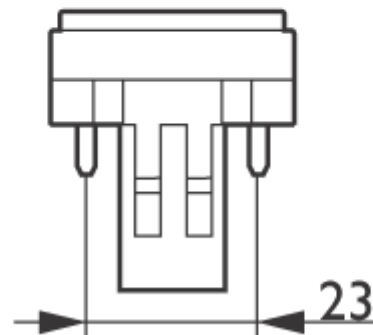
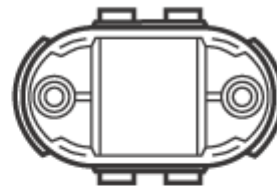
- For expected lamp lumen output, commercial ballast manufacturers can advise the appropriate ballast factor for each of their ballasts when they are informed of the designated lamp. The ballast factor is a multiplier applied to the designated lamp lumen output. (204)
- Rated average life under specified test conditions with lamps turned off and restarted no more frequently than once every 3 operating hours. Lamp life is appreciably longer if lamps are started less frequently. (202)
- Approximate Initial Lumens. The lamp lumen output is based upon lamp performance after 100 hours of operating life, when the output is measured during operation on a reference ballast under standard laboratory conditions. (203)
- Design Lumens are the approximate lamp lumen output at 40% of the lamp's Rated Average Life. This output is based upon measurements obtained during lamp operation on a reference ballast under standard laboratory conditions. (208)

Product data	
Product Number	146878
Full product name	PL-S ALTO 13W/850 GX23/2P 1CT
Ordering Code	146878
Pack type	1 Lamp in a Folding Carton
Pieces per Sku	1
Skus/Case	50
Pack UPC	046677146870
EAN2US	
Case Bar Code	50046677146875
Successor Product number	

Product data	
Base	GX23 [Two-Pin Compact Fluorescent; high prehea]
Base Information	2P
Execution	/2P [2 Pins]
Packing Type	1CT [1 Lamp in a Folding Carton]
Packing Configuration	5X10CC
Avg. Life	10000 hr
Ordering Code	PL-S 13W/850/2P ALTO
Pack UPC	046677146870
Case Bar Code	50046677146875
Watts	13W
Lamp Voltage	56 V
Dimmable	No
Color Code	850 [CCT of 5000K]
Color Rendering Index	82 Ra8
Color Designation	Daylight [Daylight]
Color Description	850 Daylight
Color Temperature	5000 K
Initial Lumens	810 Lm
Overall Length C	177.7 mm
Diameter D	28 mm
Diameter D1	13 mm
Product Number	146878



PL-S 13W



Base GX23

