

**DESCRIPTION**

A cost-effective, low-profile, solid state solution for high bay applications, providing one-for-one replacement of 400 Watt metal halide fixtures.

**FEATURES**

- 0-10V dimming
- Instant-on with no warmup
- 6' power cord standard for more installation flexibility
- Up to 150 LPW ultra-high efficiency delivers superior performance over legacy HID high bays

**LISTINGS**

- UL Listed for wet locations
- IP66 Rated for dust and high pressure water ingress protection
- DesignLights Consortium®5.1 Premium- meets the requirements for the highest DLC qualification for efficacy and lumen maintenance; DLC Part Number - PLTE72121

**PERFORMANCE**

- CRI: 80+
- Rated lifetime L70: 120,000 hours
- Philips Lumileds LEDs and Sosen driver

**THERMAL**

- -22°F to 122°F (-30°C to +50°C) operating temperature

**ELECTRICAL**

- THD: <20%
- Power Factor: >.9
- Input voltage: 120-277V
- Dimmable power supply (0-10V)

**CONSTRUCTION**

- Ships standard with impact resistant polycarbonate lens & reflector (90°)
- Slim, lightweight construction (7.5 lbs) allows for quick and easy installation

**WARRANTY**

- 5 year limited warranty; see pltsolutions.com for warranty details

project name	type
catalog number	
comments	voltage
approved by	date



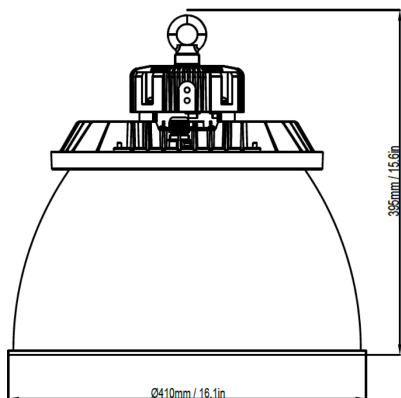
**APPLICATIONS**

- Warehouses
- Manufacturing Plants
- Distribution Centers
- Grocery Stores
- Gymnasiums
- Indoor Recreational Facilities
- Cold Storage
- Big Box Retail
- Service Repair Centers

# PERFORMANCE SUMMARY

Item #	Model	Watts	Lumens	LPW	CCT	CRI	Dimming	Voltage	Replaces	DLC #	DLC Rating
PLT-80004	Aurora	150	22500	150	4000K	80+	0-10V	120-277	MH400	PLTE72121	DLC Premium 5.1

## DIMENSIONS



### DIMENSIONS

Diameter: 12.2"

Height: 6.7"

Weight: 7.5 lbs.

### W/ REFLECTOR

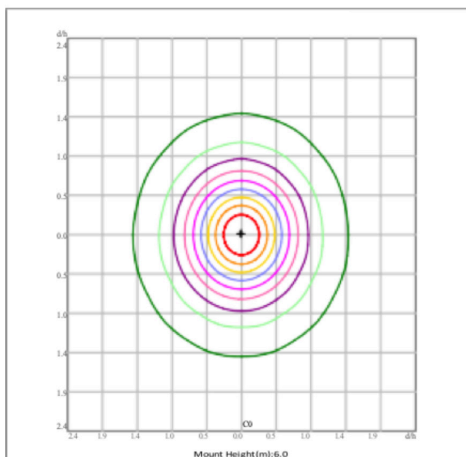
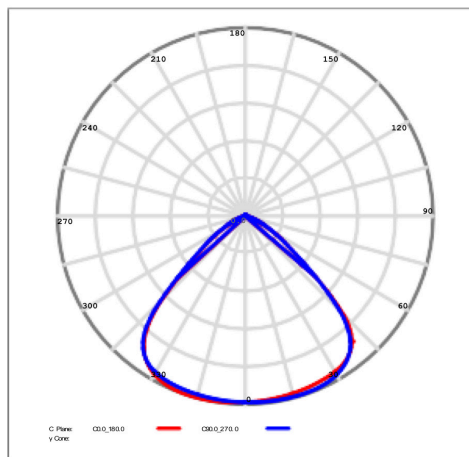
Diameter: 18.9"

Height: 14.4"

Weight: 13.3 lbs.

## PHOTOMETRICS

### 90° RIBBED LENS



### 90° REFLECTOR

