

DESCRIPTION

A rugged, economical, dimmable glass wallpack for general purpose outdoor lighting.

FEATURES

- 0-10V dimming
- Samsung LED Chips
- Enclosure and hardware are corrosion resistant

LISTINGS

- IP66 Rated
- UL Listed for wet locations
- DesignLights Consortium® 5.1 Standard - meets the requirements for the highest DLC qualification for efficacy and lumen maintenance; DLC PN - PLTB61133

LED CHARACTERISTICS

- CRI: >80
- 4000K CCT
- Rated lifetime L70: 50,000 hours

ELECTRICAL

- THD: <20%
- Power Factor: >0.9
- Input voltage: 120-277V

THERMAL

- -40°F to 104°F (-40°C to 40°C) operating temperature

CONSTRUCTION

- Borosilicate glass lens for optical precision
- UV stabilized powder-coated bronze finish

WARRANTY

- 5 year limited warranty. Additional warranty options available. See pltsolutions.com for details

project name	type
catalog number	
comments	voltage
approved by	date



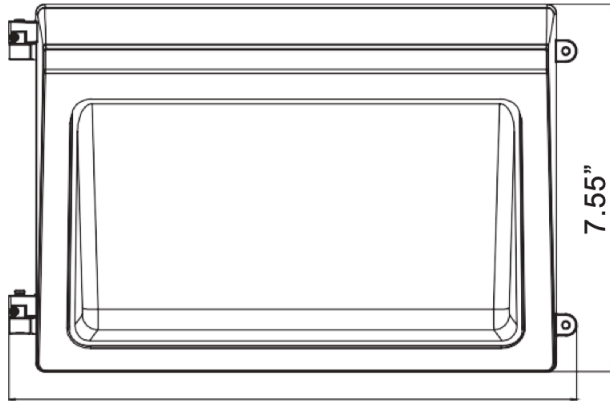
APPLICATIONS

- Industrial Parks
- Loading Docks
- Utility Sheds
- Entryways
- Walkways
- Storage Areas
- Security

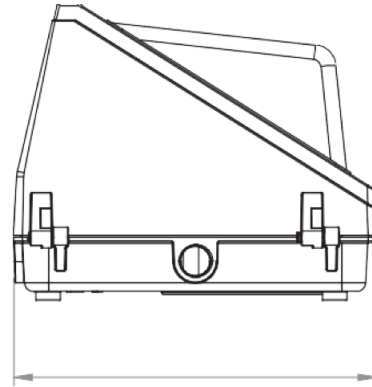
PERFORMANCE SUMMARY

Item #	Watts	Lumens	LPW	CRI	CCT	Lens	Dimming	Voltage	Replaces	DLC Level	DLC #
PLT-11711B	35	4550	130	80+	4000K	Glass	0-10V	120-277	175 Watt MH	5.1 Standard	PLTB61133

DIMENSIONS



14.25"



9.24"

PHOTOMETRICS

