



⚠ WARNING

- Before installing, servicing, or performing routine maintenance upon this equipment, follow these general precautions.
- To reduce the risk of death, personal injury, or property damage from fire, electric shock, falling parts, cuts/abrasions, and other hazards, read all warnings and instructions included with and on the fixture box and all fixture labels.
- Power must be turned off at the breaker before installation or maintenance.
- Installation, service, and maintenance of luminaires should be performed by a qualified licensed electrician.
- Wear gloves and eye protection at all times while installing, servicing, or performing maintenance on the luminaire, and avoid direct eye exposure to the light source while it is on.
- Do not install damaged product. Inspect luminaire for damage that may have occurred during transit. If damaged, contact the manufacturer immediately.
- These instructions do not purport to cover all details or variations in equipment nor to provide every possible contingency to meet in connection with installation, operation, or maintenance. Should further information be desired or should particular problems arise which are not covered sufficiently for the purchaser's or owner's purposes, contact the manufacturer.

⚠ ADVERTENCIA

- Antes de instalar, reparar o realizar el mantenimiento de rutina de este equipo, siga estas precauciones generales.
- Para reducir el riesgo de muerte, lesiones personales o daños a la propiedad por fuego, descarga eléctrica, caída de piezas, cortes / abrasiones y otros peligros, lea todas las advertencias y instrucciones incluidas con y en la caja del dispositivo y todas las etiquetas del dispositivo.
- Se debe apagar la energía en el disyuntor antes de la instalación o el mantenimiento.
- La instalación, el servicio y el mantenimiento de las luminarias deben ser realizados por un electricista autorizado y calificado.
- Utilice guantes y protección para los ojos en todo momento durante la instalación, el servicio o el mantenimiento de la luminaria, y evite la exposición directa de los ojos a la fuente de luz mientras está encendida.
- No instale un producto dañado. Inspeccione la luminaria en busca de daños que puedan haber ocurrido durante el tránsito. Si está dañado, comuníquese con el fabricante de inmediato.
- Estas instrucciones no pretenden cubrir todos los detalles o variaciones en el equipo ni proporcionar todas las posibles contingencias a cumplir en relación con la instalación, operación o mantenimiento. Si desea obtener más información o si surgen problemas particulares que no están suficientemente cubiertos para los propósitos del comprador o propietario, comuníquese con el fabricante.

⚠ AVERTISSEMENT

- Avant d'installer, d'entretenir ou d'effectuer une maintenance de routine sur cet équipement, suivez ces précautions générales.



- Pour réduire le risque de décès, de blessures corporelles ou de dommages matériels dus à un incendie, un choc électrique, des chutes de pièces, des coupures/abrasions et d'autres dangers, lisez tous les avertissements et instructions inclus avec et sur la boîte du luminaire et toutes les étiquettes des luminaires.
- L'alimentation doit être coupée au niveau du disjoncteur avant l'installation ou l'entretien.
- L'installation, l'entretien et la maintenance des luminaires doivent être effectués par un électricien qualifié et agréé.
- Portez des gants et des lunettes de protection à tout moment lors de l'installation, de l'entretien ou de la maintenance du luminaire, et évitez l'exposition directe des yeux à la source lumineuse lorsqu'elle est allumée.
- N'installez pas de produit endommagé. Inspectez le luminaire pour les dommages qui ont pu se produire pendant le transport. S'il est endommagé, contactez immédiatement le fabricant.
- Ces instructions ne prétendent pas couvrir tous les détails ou variations de l'équipement ni fournir toutes les éventualités possibles à rencontrer en rapport avec l'installation, l'exploitation ou la maintenance. Si des informations supplémentaires sont souhaitées ou si des problèmes particuliers surviennent qui ne sont pas suffisamment couverts pour les besoins de l'acheteur ou du propriétaire, contactez le fabricant.

CAUTION

- Equipment should be mounted where it will not be subject to tampering by unauthorized personnel.
- Do not mount near gas or electric heaters.
- The use of accessory equipment not recommended by the manufacturer may cause an unsafe condition.
- Do not use this equipment for any other purpose than its intended use.
- When re-lamping, use only LED lamps specified in the fixture. Using other lamp types may result in transformer damage or unsafe conditions.
- Use caution when servicing batteries. Battery acid can cause burns to skin and eyes. If acid is spilled on skin or eyes, flush acid with fresh water and contact a physician immediately.

NOTICE

- The battery in this unit may not be fully charged. After electricity is connected to the unit, let the battery charge up for at least 24 hours for normal operation of this unit to take effect.
- National Electrical Code (NEC) and NFPA life safety code regulations require that routine tests need to be performed as follows: Once every month, the unit needs to be tested for duration of 30 seconds. Push in and hold the test switch to perform this test. Once every 12 months, a full 90 minute (per UL requirements) test needs to be performed on the unit. Disconnect power to the unit and leave it in the emergency mode. The LEDs should stay ON for at least 90 minutes.
- Battery Backup Operation:
 1. Apply AC power to the unit. The LED Indicator should turn RED.
 2. After the battery has been left to charge for 24 hours, test the unit by pushing the test switch. The LED Indicator turns OFF and the sign LED board stays ON.
 3. When the test switch is released, the sign LED board still stays ON and the LED Indicator turns back to Red.
- Do not use outdoors.

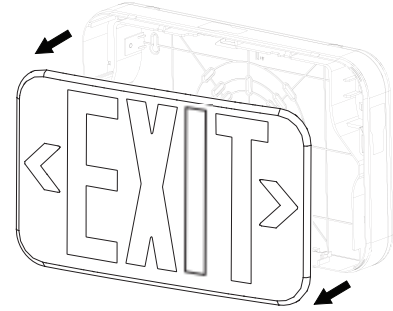
INSTALLATION

A. CEILING TOP AND SURFACE END MOUNTING

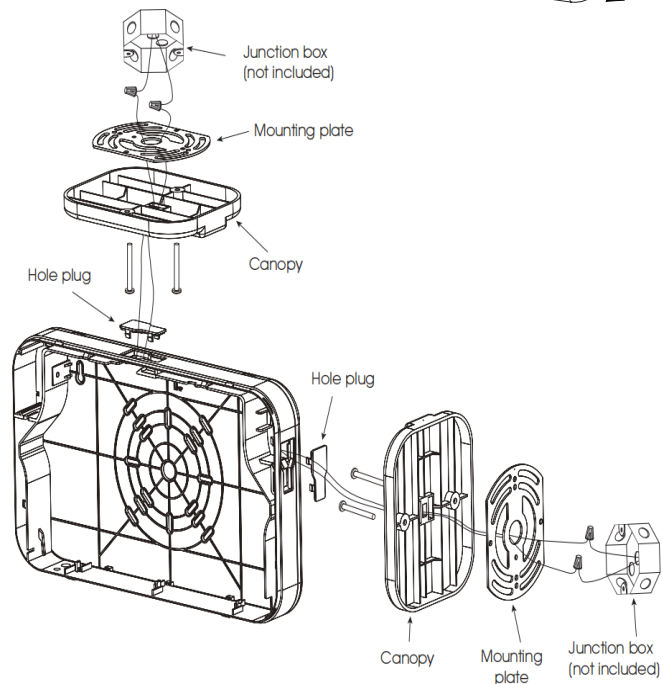


COLOR SELECTABLE LED EXIT SIGN SAFETY AND INSTALLATION INSTRUCTIONS

1. Remove the faceplate from the main body. For double sided configuration, remove both faceplate and backplate. Set the removed plate(s) aside.



2. Place screws (included) in holes on the canopy.

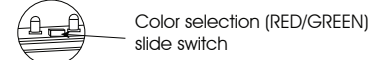
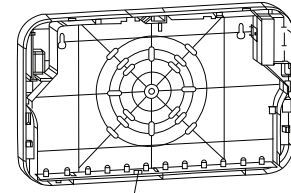
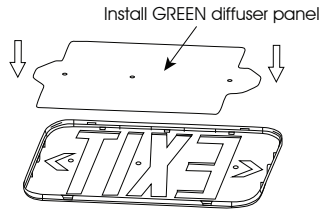
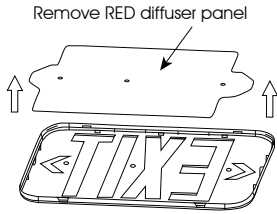


3. Remove the desired mounting hole plug located on the frame of the main body. For ceiling top mounting, hole plug will be located on the top of the main body. For surface end mounting, hole plug will be located on the side of the main body.
4. Place canopy tab through the mounting hole of the main body until the flat portion of the canopy touches the main body frame. Lock the canopy into place by sliding the canopy, without turning, toward smaller end of the mounting hole until the tab is fully engaged and locked into place. Once the canopy is in the locked position, there will not be any side-to-side movement of the canopy.
5. Route AC input wires of the unit through canopy and through metal mounting plate.
6. Make wiring connection. Connect the RED lead to LIVE(HOT) of the AC wall power. Connect the "WHITE" lead to NEUTRAL (COMMON) of the AC wall power.
7. Push wire connections into the junction box (not included). Secure the mounting plate to the junction box.
8. Secure the canopy to the steel mounting plate with screws installed in step 2.
9. NOTE:Factory default color configuration is RED:
The faceplate assembled with the main body has red diffuser panel and the color selection slide switch is set to red.For GREEN configuration,replace the red diffuser panel with the green diffuser panel and flick the toggle switch to GREEN.

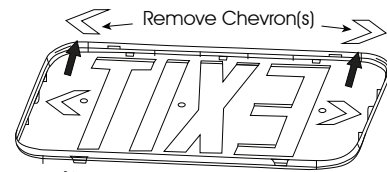
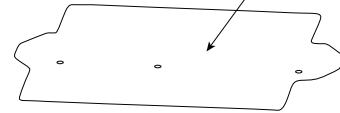


COLOR SELECTABLE LED EXIT SIGN

SAFETY AND INSTALLATION INSTRUCTIONS



Color diffuser panel

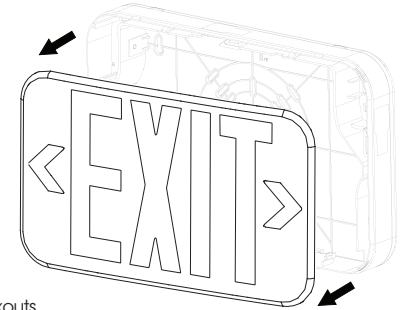


10. Remove proper "chevron" directional indicator(s) as required. When removing chevron(s), remove the color diffuser panel to allow easier access to the chevron(s). When color diffuser panel is removed, be sure to reinstall the color diffuser panel, securing with diffuser retention caps once chevron(s) has been removed.

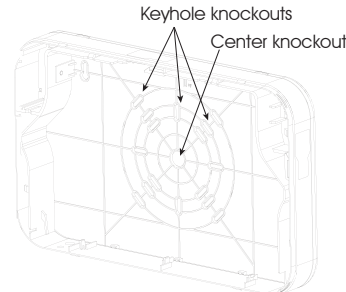
11. Connect battery only after continuous AC power can be supplied to the unit.
12. Secure faceplate(s) to the main body.
13. Apply continuous AC power and press "TEST" button to check operation.

B. WALL BACK MOUNTING

1. Remove the faceplate from the main body. Set the removed plate aside.

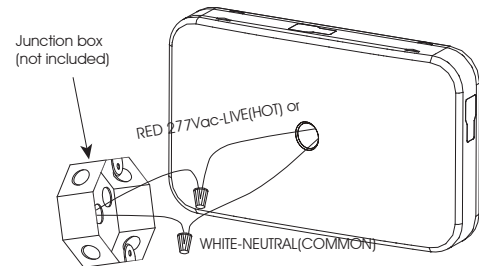


2. Drill or knock out appropriate knockouts on backplate to fit junction box mounting points.



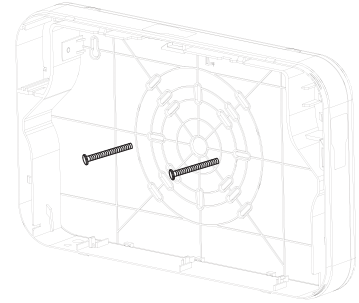
3. Drill or knock out center hole in the backplate for AC supply wire leads of the unit.

4. Route AC input wires of the unit through center hole of the backplate and make wiring connection. Connect the RED 277Vac or Black 120Vac lead to LIVE (HOT) of the AC wall power. Connect the WHITE lead to NEUTRAL (COMMON) of the AC wall power.





5. Secure back plate to junction box (not included).



6. Follow steps 10-13 of CEILING TOP AND SURFACE ENDMOUNTING.

Wiring Diagram

