

## DESCRIPTION

Reduce energy and maintenance costs by replacing 70W metal halide bulbs with these more efficient 18W LED corn bulbs.

## FEATURES

- Delivers 155 LPW for highly efficient performance
- Medium E26 base
- Ballasts, capacitors, and starters must be removed (bypassed) from fixture during installation; see installation instructions for more information

## LISTINGS

- UL rated for damp locations
- Rated for use in enclosed fixtures
- FCC Part 15
- IP64
- CE
- RoHS

## PERFORMANCE

- CRI: >80
- CCT: 3000K
- LED L70 Life Hours: ≥100,000 hours
- Philips Lumileds LEDs

## THERMAL

- -40°F to 113°F or (-40°C to 45°C) operating temperature

## ELECTRICAL

- THD: <20%
- Power Factor: >0.9
- Input Voltage: 120-277V
- Surge Protection: 2kV

## WARRANTY

- 1 year limited warranty; see [pltsolutions.com](http://pltsolutions.com) for warranty details

project name	type
catalog number	
comments	voltage
approved by	date



## APPLICATIONS

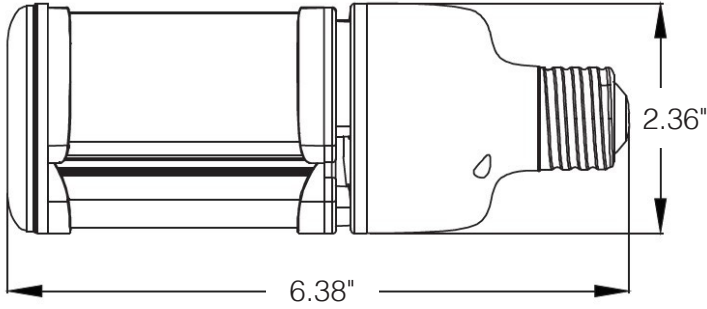
- Warehouses
- Security Lighting
- Parking Lot Lights
- Post Top Lights

PERFORMANCE	Power Consumption	18 Watt
	Lumens	2790
	Efficacy (LPW)	155
	CRI	>80
	CCT	3000K
	LED L70 Life Hours	≥100,000
ELECTRICAL	Beam Angle	360 Degree
	Power Factor	<20%
	THD	>0.9
CONSTRUCTION	Input Voltage	120-277V
	Operating Temperature	-40°F to 113°F or (-40°C to 45°C)
LISTINGS	Base	E26
	Certifications	UL Listed; FCC; CE; IP64
	Material Usage	RoHS - No mercury or lead
	Environment	Enclosed Fixture Rated; Damp Location Rated

# PERFORMANCE SUMMARY

Item #	Watts	Lumens	LPW	Voltage	Replaces	CCT	CRI	Beam	LED L70 Life Hours
PLTS-12046	18	2790	155	120-277V	MH70	3000K	>80	360°	≥100,000

## DIMENSIONS



## DIMENSIONS

Height: 6.38"

Width: 2.36"

## PHOTOMETRICS

