

DESCRIPTION

Reduce energy and maintenance costs by replacing 70W metal halide bulbs with these more efficient 18W LED corn bulbs.

FEATURES

- Delivers 155 LPW for highly efficient performance
- Universal burn position
- Medium E26 base
- Ballasts, capacitors, and starters must be removed (bypassed) from fixture during installation; see installation instructions for more information

LISTINGS

- UL rated for damp locations
- Rated for use in enclosed fixtures
- FCC Part 15
- IP64
- CE
- RoHS

PERFORMANCE

- CRI: >80
- CCT: 5000K
- LED L70 Life Hours: ≥100,000 hours
- Philips Lumileds LEDs

THERMAL

- -40°F to 113°F or (-40°C to 45°C) operating temperature

ELECTRICAL

- THD: <20%
- Power Factor: >0.9
- Input Voltage: 120-277V
- Surge Protection: 2kV

| | |
|----------------|---------|
| project name | type |
| catalog number | |
| comments | voltage |
| approved by | date |



WARRANTY

- 3 year limited warranty; see pltsolutions.com for warranty details

APPLICATIONS

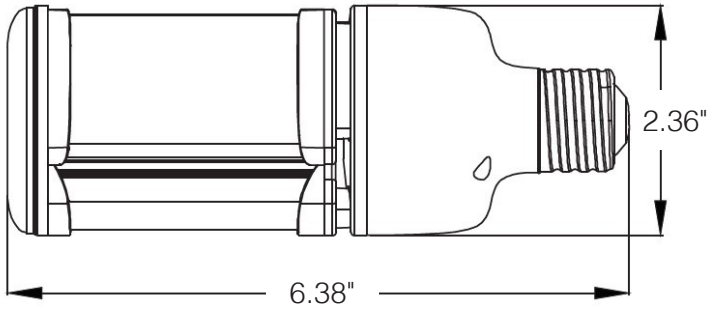
- Warehouses
- Security Lighting
- Post Top Lights

| | | |
|--------------|-----------------------|---|
| PERFORMANCE | Power Consumption | 18 Watt |
| | Lumens | 2790 |
| | Efficacy (LPW) | 155 |
| | CRI | >80 |
| | CCT | 5000K |
| | LED L70 Life Hours | ≥100,000 |
| | Beam Angle | 360 Degree |
| ELECTRICAL | Burn Position | Universal |
| | Power Factor | <20% |
| | THD | >0.9 |
| CONSTRUCTION | Input Voltage | 120-277V |
| | Operating Temperature | -40°F to 113°F or (-40°C to 45°C) |
| | Base | E26 |
| LISTINGS | Certifications | UL Listed; FCC; CE; IP64 |
| | Material Usage | RoHS - No mercury or lead |
| | Environment | Enclosed Fixture Rated; Damp Location Rated |

PERFORMANCE SUMMARY

| Item # | Watts | Lumens | LPW | Voltage | Replaces | CCT | CRI | Beam | LED L70 Life Hours |
|------------|-------|--------|-----|----------|----------|-------|-----|------|--------------------|
| PLTS-12048 | 18 | 2790 | 155 | 120-277V | MH70 | 5000K | >80 | 360° | ≥100,000 |

DIMENSIONS



DIMENSIONS

Height: 6.38"

Width: 2.36"

PHOTOMETRICS

