



# QTL Series Quick Connect High Bay

## Product Specifications



The QTL Series Quick Connect High Bay family features a lightweight extruded aluminum body, 4FT length, and up to 14,850 lumens resulting in a versatile solution for endless applications. TCP's Quick Connect system allows for fast, low-cost installation and produces a one-of-a-kind look in application. Adding one long, uniform run of High Bays in your warehouse can eliminate dark spots on products to help avoid "mispicks".

With the included mounting equipment, optional controls, battery backup options and Quick Connect system, the QTL Series HB by TCP is changing the game of high bay lighting. It is truly a new way to high bay.

## Reasons to choose the LED Quick Connect High Bay from TCP

- Lightweight, quick install construction
- Uplight - no cave effect
- Standard frosted lens for glare control
- No shadows for smooth, even lighting
- Damp location rated
- 0-10V smooth dimming
- 250 or 400W HID equivalent
- 50,000 hour rated life
- Wide 120 degree beam spread
- Optional controls available
- Includes 6-foot Quick Connect power cord
- TCP SmartStuff compatible **COMING SOON!**

## Ideal Applications

- High ceiling locations
- Commercial settings
- Industrial settings
- Retail settings
- Warehouses



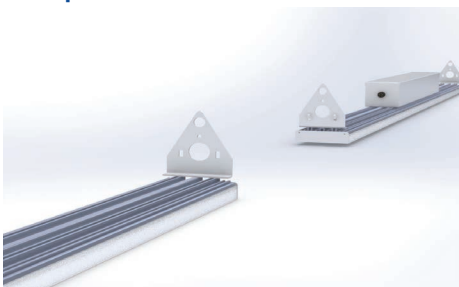
# QTL Series Quick Connect High Bay

## A new way to high bay - Linear Strip Application using TCP Quick Connect



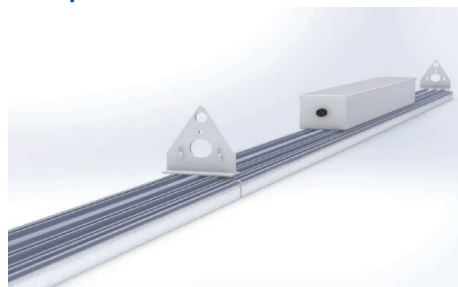
## TCP Quick Connect System

### Step 1:



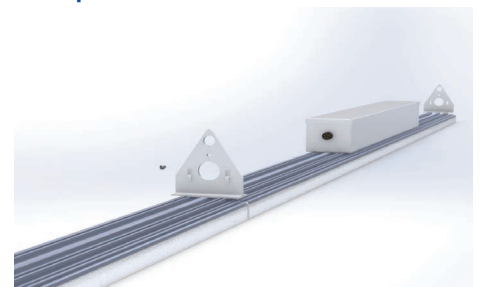
Align male and female ends of the Quick Connect triangles

### Step 2:



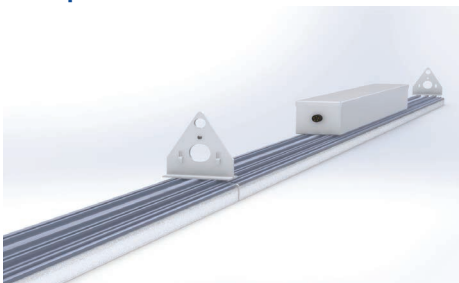
Slide together to fasten

### Step 3:



Fasten locking screw until tight

### Step 4:



Mechanical connection complete

### Step 5:



Use Q5DAISY4FT Quick Connect cable to daisy chain units together

### NOTE:

Electrical Daisy Chain Capabilities using Q5DAISY4FT:  
110W model = 8 units in series

TCP®

325 Campus Dr. | Aurora, Ohio 44202 | P: 800-324-1496 | tcp.com



5 YEAR WARRANTY

Not all versions of this product are qualified on the DLC QPL. To view our DLC qualified products, please consult the DLC Qualified Products List at [www.designlights.org/qpl](http://www.designlights.org/qpl).





# QTL Series Quick Connect High Bay

## Applications

The QTL Series Quick Connect High Bay is a versatile solution for endless creative applications. With a lightweight, extruded aluminum body, included mounting hardware, and Quick Connect system, the QTL Series HB by TCP is changing the game of high bay lighting. It is truly a new way to high bay. Best for use in high ceiling locations in commercial, industrial, retail, or warehouse settings.

## Features

- Lightweight, quick-install construction
- Standard frosted lens for glare control
- No shadows for smooth, even lighting
- Damp location rated
- 0-10V smooth, no flicker dimming
- Operating temperature: -4° to 122°F
- Long 50,000 hour rated life
- Wide beam spread due to LED design providing a clean cutoff
- Optional battery backup and motion sensors available
- Includes 6-foot power cord

## Hardware Included

- 10' adjustable aircraft cable hanger
- 6' Quick Connect cord

Item Number	
Notes	Type



### Listings

cULus Listed  
RoHS Compliant  
DLC 5.1 Standard

### Warranty

Five year limited warranty against defects in manufacturing.

## Installation

Before hanging installation, please consult your local ordinances and building codes

## Catalog Ordering Matrix Example: QHB4UZDA250K

QHB	4	U	ZD	A2	50K	FACTORY INSTALLED OPTIONS	FACTORY INSTALLED CONTROLS <sup>4</sup>
FAMILY	LENGTH	VOLTAGE <sup>3</sup>	CONTROLS	LUMEN PACKAGE (Power) <sup>2</sup>	CCT		
QHB - QTL Series High Bay	4 - 4 foot	U - 120-277V	ZD - 0-10V Dimming	A2 - 14,850L (110W)	40K - 40K CCT 50K - 50K CCT	Blank - No Add-on B - Battery Backup	Blank - No controls SMS - SmartStuff Motion Sensor COMING SOON!

<sup>1</sup> Approximate lumen output. Actual performance may vary based on CCT, options selected and end use application.

<sup>2</sup> Actual wattage may differ by +/- 10%

## Field Installed Accessories

Q5DAISY4FT - 5-wire Quick Connect wire to connect multiple units end to end

TCP®

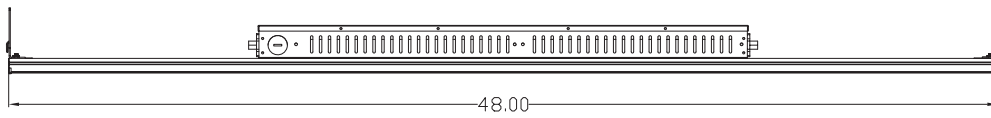
325 Campus Dr. | Aurora, Ohio 44202 | P: 800-324-1496 | tcp.com



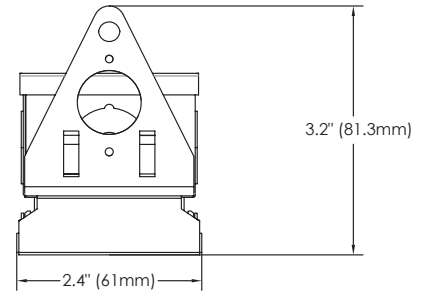
5 YEAR WARRANTY

Not all versions of this product are qualified on the DLC QPL. To view our DLC qualified products, please consult the DLC Qualified Products List at [www.designlights.org/apl](http://www.designlights.org/apl).

## Wireline Dimensions



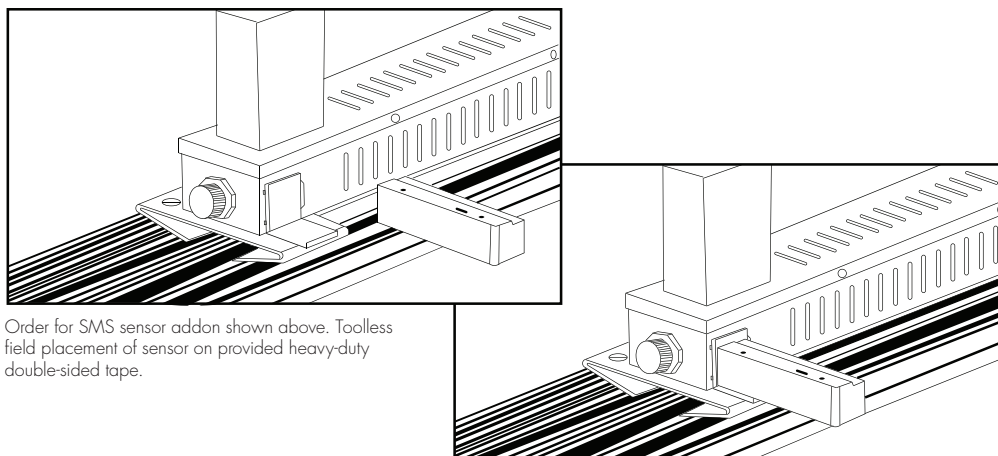
**QHB4UZDA250K**



## 6FT Quick Connect Cord 2-Step Installation:



## Take control of your lighting with the SMS sensor add-on

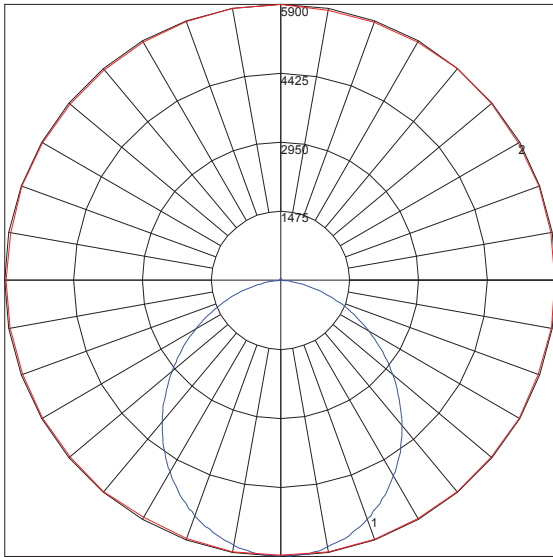


Order for SMS sensor addon shown above. Toolless field placement of sensor on provided heavy-duty double-sided tape.

## Photometric Report

Based on photometric data for  
TCP Item # QHB4UZDA250K

### Polar Graph



Maximum Candela = 5899.884 Located At Horizontal Angle = 90, Vertical Angle = 2  
# 1 - Vertical Plane Through Horizontal Angles (90 - 270) (Through Max. Cd.)  
# 2 - Horizontal Cone Through Vertical Angle (2) (Through Max. Cd.)

### Average Luminance candelas/square meter (cd/sq.m)

Angle In Degrees	Average 0-Deg	Average 45-Deg	Average 90-Deg
45	75689	68010	66352
55	68851	59215	56808
65	61437	48876	45589
75	53212	35934	30875
85	42491	16783	9381

### Coefficients of Utilization – Zonal Cavity Method

Effective Floor Cavity Reflectance 0.20

RC	80				70				50			30			10			0
RW	70	50	30	10	70	50	30	10	50	30	10	50	30	10	50	30	10	0
0	118	118	118	118	115	115	115	115	110	110	110	105	105	105	100	100	100	98
1	108	104	100	96	106	101	98	94	97	94	91	92	90	87	88	86	84	82
2	99	91	84	79	96	89	83	78	85	80	75	81	77	73	78	74	71	69
3	90	80	72	66	88	78	71	65	75	69	64	72	67	62	69	65	61	59
4	83	71	63	56	80	70	62	55	67	60	54	64	58	53	62	57	52	50
5	76	64	55	48	74	62	54	48	60	53	47	58	52	47	56	50	46	44
6	71	57	49	42	69	56	48	42	54	47	42	52	46	41	51	45	40	38
7	65	52	44	38	64	51	43	37	50	42	37	48	41	36	46	40	36	34
8	61	48	39	34	59	47	39	33	45	38	33	44	37	33	43	37	32	30
9	57	44	36	30	56	43	35	30	42	35	30	41	34	30	39	34	29	27
10	54	40	33	28	52	40	32	27	39	32	27	38	31	27	37	31	27	25

### Zonal Lumen Summary

Zone	Lumens	%Lamp	%Fixt
0-20	2133.19	N.A.	13.70
0-30	4480.1	N.A.	28.10
0-40	7223.42	N.A.	46.30
0-60	12288.87	N.A.	78.70
0-80	14945.44	N.A.	95.80
0-90	15220.82	N.A.	97.50
10-90	14665.49	N.A.	94.00
20-40	5090.23	N.A.	32.60
20-50	7813.59	N.A.	50.10
40-70	6773.34	N.A.	43.40
60-80	2656.56	N.A.	17.00
70-80	948.67	N.A.	6.10
80-90	275.38	N.A.	1.80
90-110	162.54	N.A.	1.00
90-120	229.36	N.A.	1.50
90-130	284.11	N.A.	1.80
90-150	356.57	N.A.	2.30
90-180	387.96	N.A.	2.50
110-180	225.42	N.A.	1.40
0-180	15608.78	N.A.	100.00

Total Luminaire Efficiency = N.A.%

Specifications and dimensions subject to change without notice.

TCP®

325 Campus Dr. | Aurora, Ohio 44202 | P: 800-324-1496 | tcp.com  
©TCP MAR 2022\_WF298203



5 YEAR WARRANTY

Not all versions of this product are qualified on the DLC QPL. To view our DLC qualified products, please consult the DLC Qualified Products List at [www.designlights.org/qpl](http://www.designlights.org/qpl).

# TECHNOLOGY CAST IN A BEAUTIFUL LIGHT

For over 20 years, TCP has been designing, developing and delivering energy-efficient lighting into the market. Thanks to our cutting-edge technology and manufacturing expertise, we have shipped billions of high quality lighting products. With TCP, you can count on a lighting product that is designed to meet the needs of the market - that transforms your surroundings and envelopes you in warmth - lighting that generates beauty with every flip of the switch.

Sales:

Date:

Model:

Project:

Rep:

Catalog Number:

Type:

Notes:



For more information on the quality and care TCP can deliver, call us at **800.324.1496** or visit [tcp.com](http://tcp.com)

325 Campus Dr. | Aurora, Ohio 44202 | P: 800.324.1496 | F: 877.487.0516