

EMERGENCY KIT INSTALLATION

1. Loosen the screw on the side of the housing and pull out the installation plate. (FIGURE 1)
2. Attach the installation plate onto the ceiling with the expansion screws and put the wire through the center hole. (FIGURE 2)
3. Waterproof glue should be applied on the edges of the plate to prevent waterproof ingress. Drill the holes on the ceiling according to the emergency kit dimensions. (FIGURE 3)
4. Open one side of the 1/2" knockout to lead the emergency kit wire through. Remove the lens and white reflecting cover. (FIGURE 4)
5. Unscrew the wire nut and remove the press plate and rubber stopper. (FIGURE 5)
6. Replace the original press plate and rubber stopper with the one available from the emergency kit package. Put the extra blue wire in the emergency kit package into the fourth hole of the new rubber stopper. Put the rubber stopper in, press plate back, and prepare for wiring. (FIGURE 6)

Figure 1:

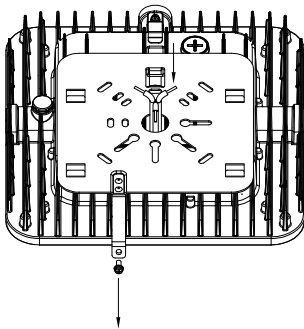


Figure 2:

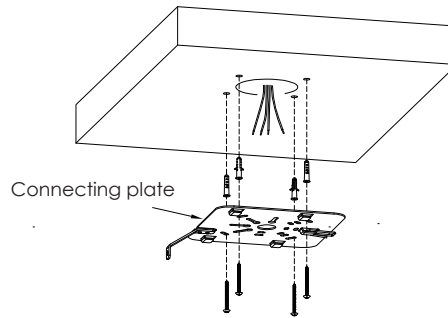


Figure 3:

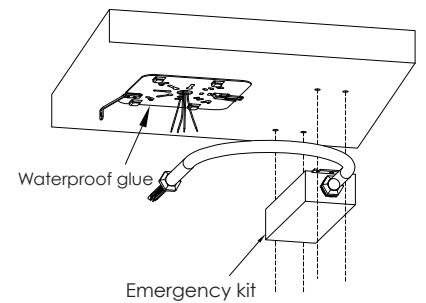


Figure 4:

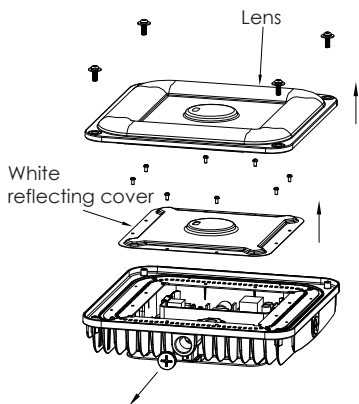


Figure 5:

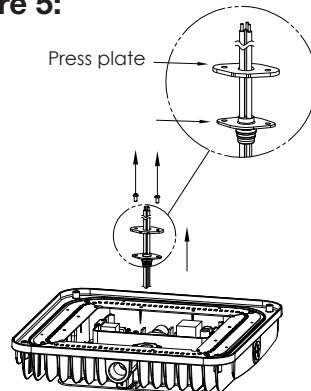
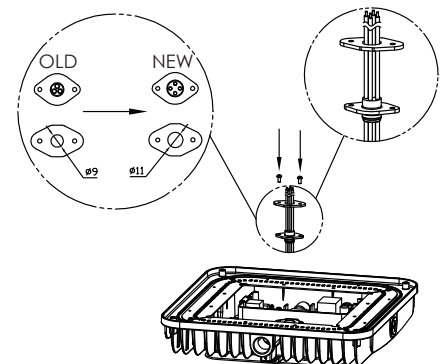


Figure 6:



continued on next page

EMERGENCY KIT INSTALLATION *continued*

7. Fasten the 1/2" conduit end into the knockout available on the fixture and tighten it clockwise and complete the wiring process according to the diagram shown below. (FIGURE 7)
8. After completing the wiring, tighten the press plate. Re-install the white reflecting cover and lens. Please note the lens and white reflecting cover direction and avoid wire-pinch. (FIGURE 8)
9. Hook the fixture onto the pre-installed plate's clip. Secure the emergency kit into the holes that were pre-drilled in step 3. Reference the wiring diagram on the next page to complete the fixture's wiring. (FIGURE 9)
10. After wiring, slide the fixture back to match the installation plate and tighten the screw. Turn the fixture on to verify it is working normally and press the test button available on the emergency kit to see if the emergency kit is working normally. (FIGURE 10)

Figure 7:

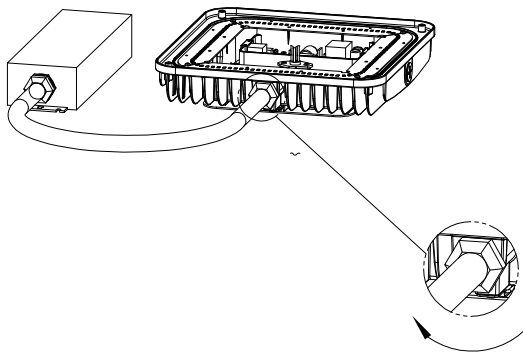


Figure 8:

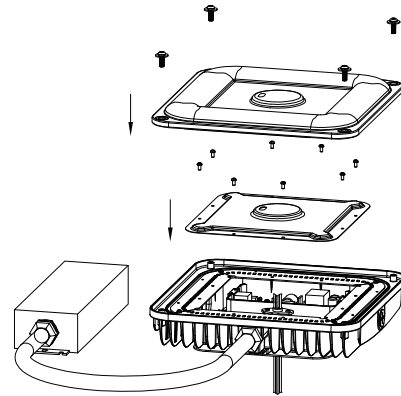


Figure 9:

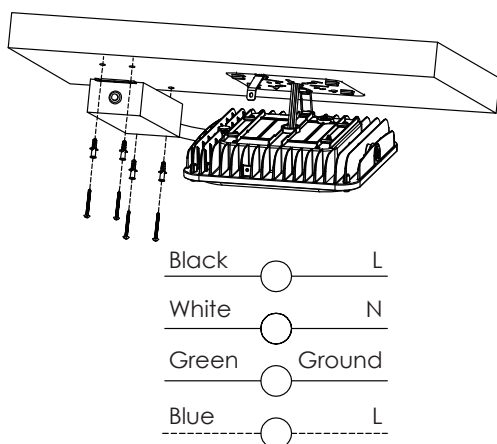
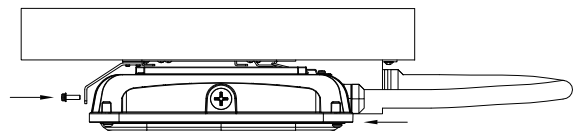
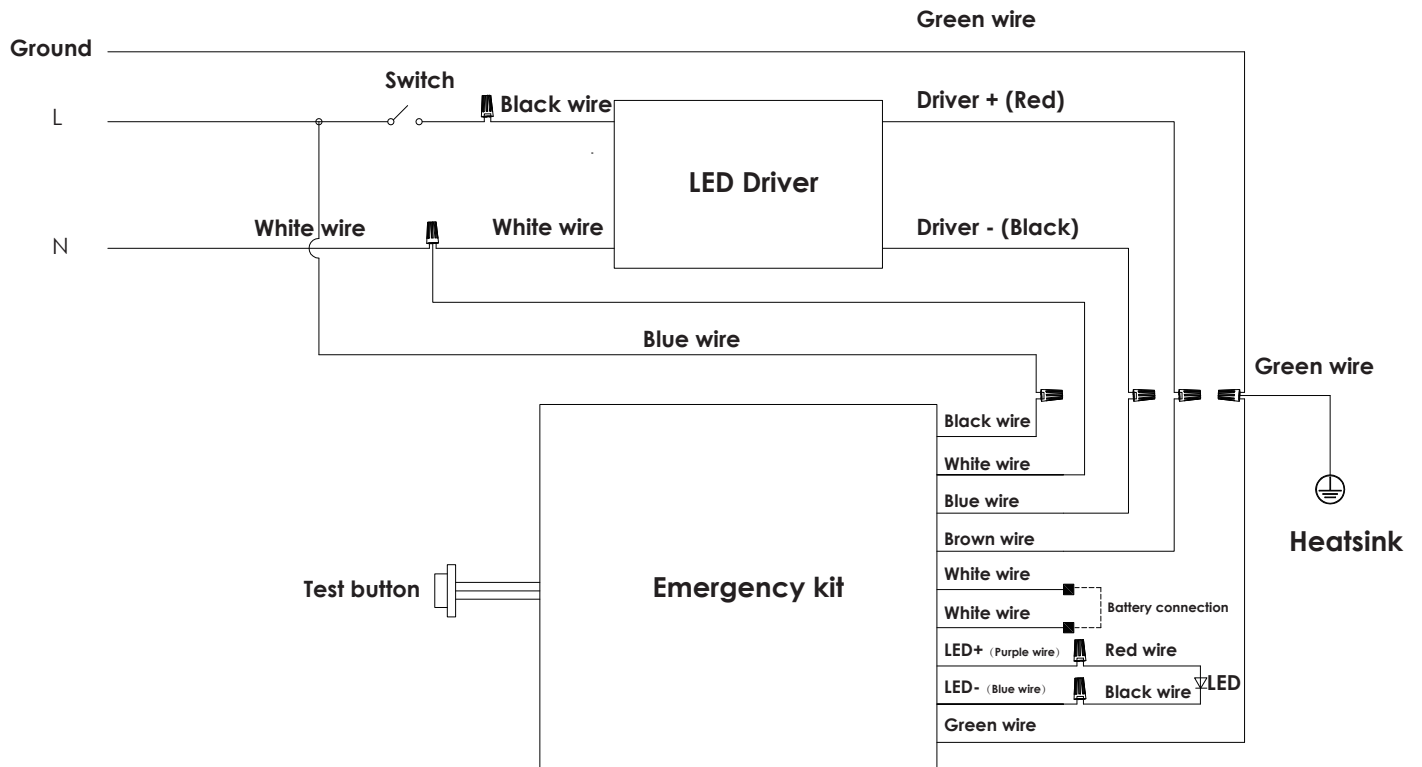


Figure 10:



continued on next page

INTERNAL WIRING DIAGRAM



SAVE THESE INSTRUCTIONS