

Elements

by TCP

LED Canopy Light

Product Specifications



Are you looking for a low-maintenance solution to your parking garage, gas station, awning or outdoor canopy lighting? Check out the LED Canopy Lights from TCP. These long-lasting canopy luminaires are virtually maintenance free over their long 50,000 hour rated life. TCP's next generation of canopy light is wattage selectable, sealed against water/dust, and vandal proof.

Reasons to choose the LED Canopy Light from TCP

- Wide, even light distribution and low glare
- 0-10V dimming, dim to off
- Vandal resistant - IK10 Protection
- Cast aluminum housing
- IP65 wet location rated
- Wattage selectable
- Long 50,000 hour rated life reduces maintenance and replacement costs

Ideal Applications

- Parking Garages
- Awnings
- Canopies
- Security Lighting
- Gas Stations



Applications

This product family can be effectively used in outdoor ceiling mount locations including parking garages, gas stations, awnings, canopies and security lighting.

Construction

- Cast aluminum housing
- Vandal resistant - IK10 protection
- Die-cast heatsink fins divert heat from the luminaire
- White housing to match any surroundings

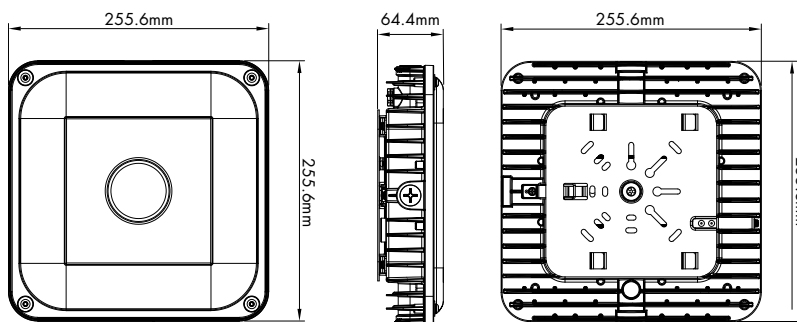
Electrical

- IP65 wet location rated
- Surface mount, pole mount, or surface mount with conduit
- 25/40/60W power selectable switch located on the back
- System rated for long 50,000 hour life
- Operating temperature: -13°F to 104°F
- 0-10V dimming, dim to off
- 135 LPW

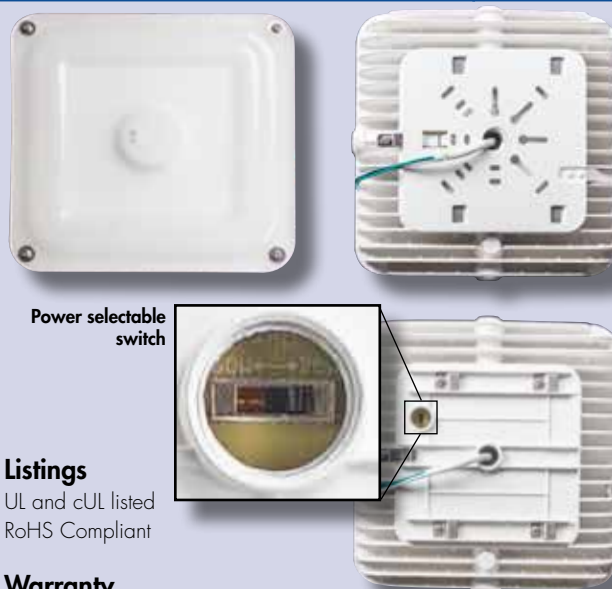
Optics

- Delivers bright white light and excellent uniformity
- Impact-resistant fresnel lens has a frosted finish
- Wide, even light distribution and low glare
- 120° light distribution
- 80+ CRI

Dimensions



Item Number	
Notes	Type



Power selectable switch

Listings

UL and cUL listed
RoHS Compliant

Warranty

Five year limited warranty against defects in manufacturing.
DLC V5.1 Premium

Catalog Ordering Matrix

Example: CPUZDB340K

CP	U	ZD	B3	COLOR TEMPERATURE	FACTORY INSTALLED CONTROLS
FAMILY	VOLTAGE	DIMMING	LUMEN PACKAGE		
CP = Canopy Light	U = 120V-277V	ZD = 0-10V Dimming	B3 = 3,200L/5,120L/7,680L (25W/40W/60W selectable)	40K = 4000K 50K = 5000K	BLANK = No Controls MS = Microwave Motion/Bi-level Dimming Sensor

Field Installed Accessories:

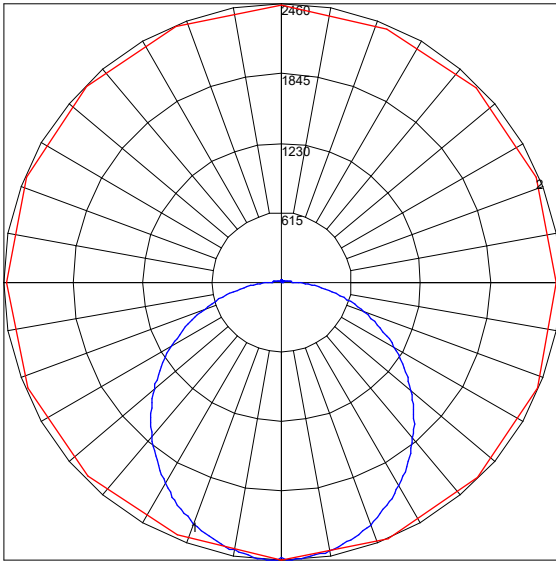
Item Number	Description
CPEBATTERY	8W 90 min. waterproof emergency battery backup
CPREMOTE	Remote control for microwave sensor add on

For the most up-to-date specs and warranty information, please visit www.tcp.com

Photometric Report

Based on photometric data for
TCP Item # CPUZDB340K

Polar Graph



Maximum Candela = 2459.9 Located At Horizontal Angle = 270, Vertical Angle = 2
1 - Vertical Plane Through Horizontal Angles [270 - 90] (Through Max. Cd.)
2 - Horizontal Cone Through Vertical Angle [2] (Through Max. Cd.)

Spacing Criterion

(0-180): 1.50, (90-270): 1.50

Coefficients of Utilization – Zonal Cavity Method

Effective Floor Cavity Reflectance 0.20

RC	80				70				50				30				10				0
	RW	70	50	30	10	70	50	30	10	50	30	10	50	30	10	50	30	10	0		
0	119	119	119	119	116	116	116	116	110	110	110	105	105	105	101	101	101	98	0		
1	107	102	97	93	104	100	95	91	95	91	88	91	88	85	87	85	82	80	0		
2	97	88	81	75	94	86	80	74	82	77	72	79	74	70	76	72	68	66	0		
3	88	77	69	62	86	76	68	61	72	65	60	69	63	59	66	62	57	55	0		
4	81	68	59	52	78	67	58	52	64	57	51	61	55	50	59	54	49	47	0		
5	74	61	52	45	72	60	51	44	57	50	44	55	48	43	53	47	42	40	0		
6	68	55	46	39	66	54	45	39	52	44	38	50	43	38	48	42	37	35	0		
7	63	50	41	34	62	49	40	34	47	39	34	45	38	33	44	38	33	31	0		
8	59	45	37	31	57	44	36	30	43	35	30	42	35	30	40	34	30	28	0		
9	55	41	33	27	54	41	33	27	39	32	27	38	32	27	37	31	27	25	0		
10	52	38	30	25	50	38	30	25	37	29	25	35	29	24	34	28	24	22	0		

Zonal Lumen Summary

Zone	Lumens	%Lamp	%Fixt	Zone	Lumens
0-20	890.57	11.90	11.90	0-10	230.84
0-30	1887.74	25.30	25.30	10-20	659.73
0-40	3090.53	41.40	41.40	20-30	997.17
0-60	5511.9	73.80	73.80	30-40	1202.78
0-80	7061.61	94.50	94.50	40-50	1258.3
0-90	7345.85	98.30	98.30	50-60	1163.07
10-90	7115.01	95.30	95.30	60-70	933.79
20-40	2199.95	29.50	29.50	70-80	615.91
20-50	3458.25	46.30	46.30	80-90	284.25
40-70	3355.17	44.90	44.90	90-100	68.27
60-80	1549.7	20.70	20.70	100-110	15.81
70-80	615.91	8.20	8.20	110-120	6.21
80-90	284.25	3.80	3.80	120-130	7.39
90-110	84.09	1.10	1.10	130-140	7.82
90-120	90.30	1.20	1.20	140-150	7.32
90-130	97.69	1.30	1.30	150-160	5.93
90-150	112.83	1.50	1.50	160-170	3.85
90-180	123.94	1.70	1.70	170-180	1.33
110-180	39.85	0.50	0.50		
0-180	7469.8	100.00	100.00		

Total Luminaire Efficiency = 100.00%

Average Luminance (cd/sq.m)

Angle In Degrees	Average 0-Deg	Average 45-Deg	Average 90-Deg
45	130862	129718	132222
55	128764	126979	130727
65	126546	125019	128786
75	127573	125488	130150
85	166703	172979	171480



TECHNOLOGY CAST IN A BEAUTIFUL LIGHT

For over 20 years, TCP has been designing, developing and delivering energy-efficient lighting into the market. Thanks to our cutting-edge technology and manufacturing expertise, we have shipped billions of high quality lighting products. With TCP, you can count on a lighting product that is designed to meet the needs of the market - that transforms your surroundings and envelopes you in warmth - lighting that generates beauty with every flip of the switch.

Sales:

Date:

Model:

Project:

Rep:

Catalog Number:

Type:

Notes:



For more information on the quality and care TCP can deliver, call us at **800.324.1496** or visit tcp.com

325 Campus Dr. | Aurora, Ohio 44202 | P: 800.324.1496 | F: 877.487.0516