

DESCRIPTION

Protect your linear LED high bays from bumps by pairing them with these high bay wire lamp guards.

FEATURES

- Easily attaches to select 2 ft. LED linear high bays designed to replace 4-lamp fluorescent fixtures; see Compatible Fixtures section for a full list of fixtures

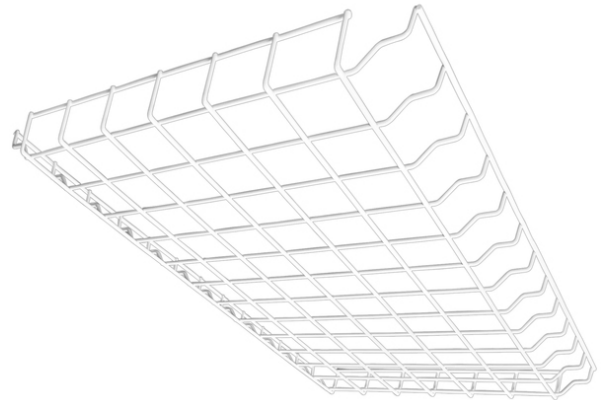
INSTALLATION

- Designed for installation onto LED fixtures (hardware included); see Installation Instruction PDF for more information

CONSTRUCTION

- Steel construction

project name	type
catalog number	
comments	voltage
approved by	date



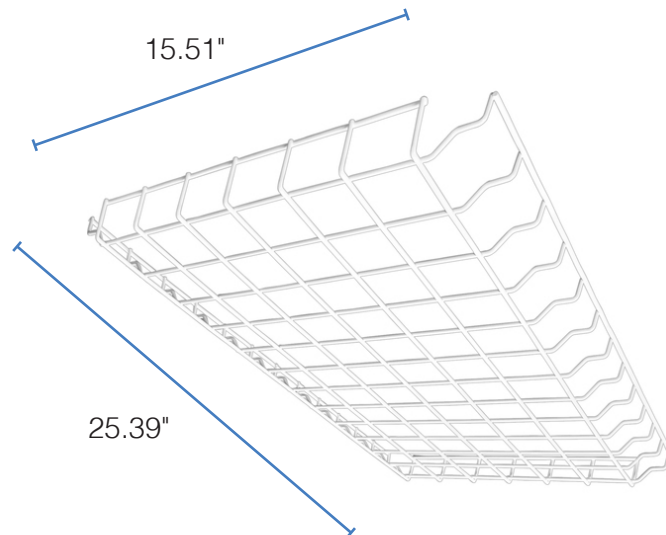
APPLICATIONS

- Warehouses
- Manufacturing Plants
- Distribution Centers
- Grocery Stores
- Indoor Recreation Facilities
- Cold Storage
- Big Box Retail
- Service Repair Centers

COMPATIBLE FIXTURES

SKU	DESCRIPTION
PLT-90150	2 ft. Linear LED Low Bay Fixture - 175W MH Equal, 65W, 8,515 Lumens, 5000K
PLT-90200	2 ft. Linear LED High Bay Fixture - 250W MH Equal, 105W, 14,175 Lumens, 4000K
PLT-90201	2 ft. Linear LED High Bay Fixture - 250W MH Equal, 105W, 14,280 Lumens, 5000K
PLT-90154	2 ft. Linear LED High Bay Fixture - 250W MH Equal, 130W, 17,550 Lumens, 4000K
PLT-90156	2 ft. Linear LED High Bay Fixture - 250W MH Equal, 130W, 17,680 Lumens, 5000K
PLT-90179	2 ft. Linear LED High Bay Fixture - 400W MH Equal, 170W, 22,950 Lumens, 4000K
PLT-90155	2 ft. Linear LED High Bay Fixture - 400W MH Equal, 170W, 23,120 Lumens, 5000K
PLTS-40055	2 ft. Linear LED High Bay Fixture with Motion Sensor - 250W MH Equal, 130W, 17,550 Lumens, 4000K
PLTS-40056	2 ft. Linear LED High Bay Fixture with Motion Sensor - 250W MH Equal, 130W, 17,680 Lumens, 5000K

DIMENSIONS



DIMENSIONS

Height: 1.26"

Width: 15.51"

Length: 25.39"

Weight: 1.94 lbs.