

## DESCRIPTION

Reduce energy and maintenance costs by replacing existing HALO track heads with these more efficient color selectable LED flat-back track heads.

## FEATURES

- Energy efficient replacement for 75W PAR30 halogen lamps
- High color rendering index (CRI) of 90 helps makes colors appear brighter and more vivid
- Compatible with HALO single and dual circuit track
- Arm can spin up to 350-degrees vertically; head can be adjusted up to 90-degrees horizontally
- Dimmable; see dimmer compatibility sheet for full list of compatible dimmers
- Color temperature can be adjusted via switch on back of fixture; see installation instructions for more information

## LISTINGS

- ETL Listed for indoor/dry locations

## PERFORMANCE

- CRI: 90
- CCT: 3000K, 4000K, and 5000K
- LED L70 Life Hours: ≥100,000 hours

## ELECTRICAL

- Power Factor: >0.89
- THD: <50%
- Input Voltage: 120V

## CONSTRUCTION

- Aluminum housing with black finish
- Polycarbonate lens

project name	type
catalog number	
comments	voltage
approved by	date



## WARRANTY

- 3 year limited warranty; see [pltsolutions.com](http://pltsolutions.com) for warranty details

## APPLICATIONS

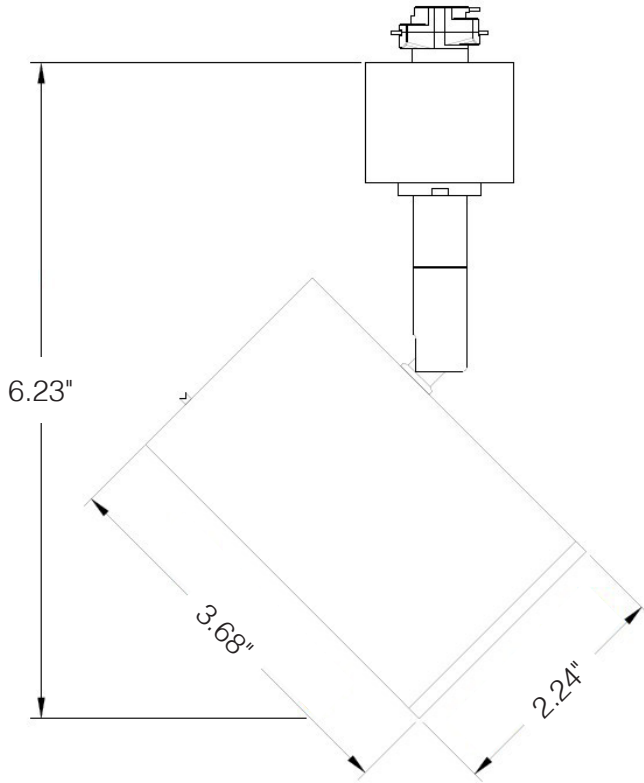
- Offices
- Lobbies
- Kitchens
- Art Galleries

PERFORMANCE	Power Consumption	10 Watt
	Lumens	750
	Efficacy (LPW)	75
	CRI	90
	CCT	3000K, 4000K, 5000K
	LED L70 Life Hours	≥100,000
	Beam Angle	36°
ELECTRICAL	Power Factor	>0.89
	THD	<50%
	Input Voltage	120V
CONSTRUCTION	Finish	Black
	Lens	Clear
LISTINGS	Certifications	ETL
	Environment	Indoor/Dry Locations

# PERFORMANCE SUMMARY

Item #	Lumens	Wattage	LPW	Voltage	Replaces	CCT	CRI	LED L70 Life Hours	Dimmable
PLTS-12268	750	10	75	120V	75W Halogen	3000K/ 4000K/ 5000K	90	≥100,000	Yes

## DIMENSIONS



### DIMENSIONS

Length: 3.68"

Height (with arm): 6.23"

Width: 2.24"

Weight: 0.59 lbs

Arm Length: 2.97"

## WARNINGS

- Only use this LED track light head with the dimmers listed in the compatibility list. Using this downlight with incompatible dimmers may cause performance issues including humming, buzzing, flickering, and poor dimming performance.