

## DESCRIPTION

This fully adjustable flat back track head is compatible with HALO track and operates a R/PAR20 bulb.

## FEATURES

- Operates up to a 50W Max R/PAR20 incandescent, halogen, or LED bulb (sold separately)
- Compatible with HALO single and dual circuit track
- Arm can spin up to 350-degrees horizontally; head can be adjusted up to 90-degrees vertically

## LISTINGS

- UL Listed for indoor/dry locations

## ELECTRICAL

- Input Voltage: 120V
- Socket Type: Medium E26

## CONSTRUCTION

- Steel housing with black finish
- Black baffle for reduced glare

## WARRANTY

- 1-year prorated warranty; see [pltsolutions.com](http://pltsolutions.com) for warranty details

## APPLICATIONS

- Offices
- Lobbies
- Kitchens
- Art Galleries
- Museums

project name	type
catalog number	
comments	voltage
approved by	date

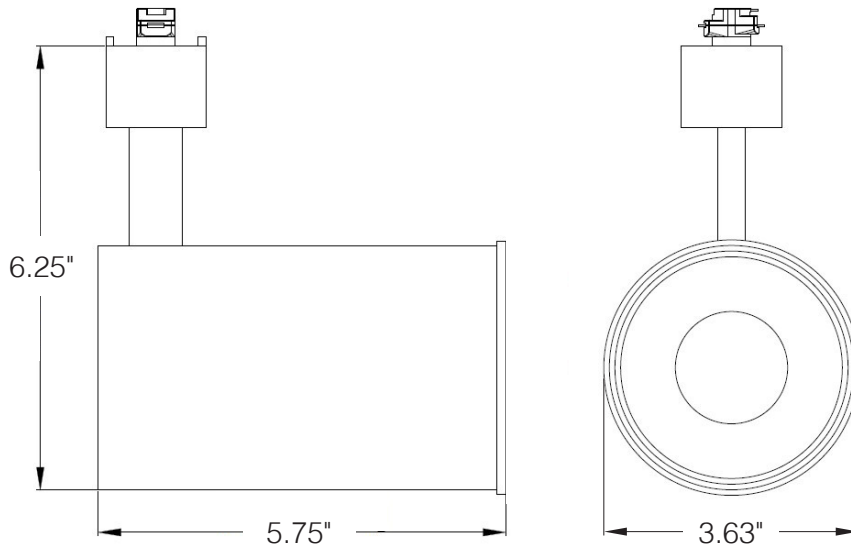


PERFORMANCE	Maximum Wattage	50 Watt
	Bulb Type	R/PAR20
	Compatibility	Halo
ELECTRICAL	Input Voltage	120V
	Socket Type	Medium E26
CONSTRUCTION	Finish	Black
	Baffle Color	Black
LISTINGS	Certifications	UL
	Environment	Indoor/Dry Locations

# PERFORMANCE SUMMARY

Item #	Max Wattage	Voltage	Bulb Type	Socket Type	Compatibility	Circuit Type	Finish
PLTS-12288	50W	120V	R/PAR20	Medium E26	Halo	Single/Dual	Black

## DIMENSIONS



## DIMENSIONS

Length: 5.75"  
Height (with arm): 6.25"  
Width: 3.63"  
Weight: 0.75 lbs  
Arm Length: 1.45"

## WARNINGS

- Not for use with Juno (J-Type) or Lightolier (L-Type) track systems.