

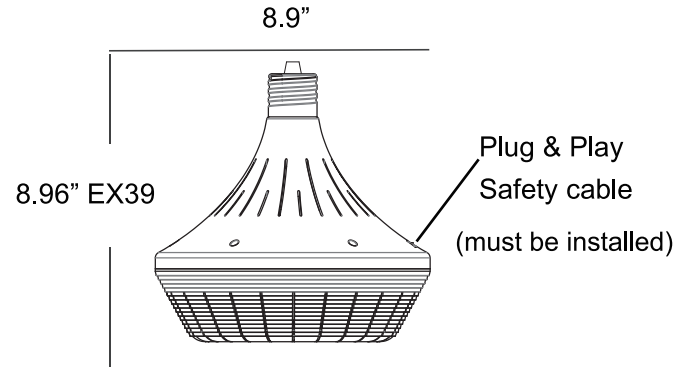


LED HIGHBAY RETROFIT LAMP USER MANUAL

Read These Instructions Completely and Carefully

WARNING

Risk of electric shock



- Disconnect electrical power to fixture and follow proper lockout/tag out procedures before installation or maintenance. Contact a qualified electrician for installation.
- This device requires 100V-277VAC input voltage.
- This device requires all ballasts, capacitors, and starters to be bypassed/removed.
- Suitable for use in dry locations only. DO NOT use where directly exposed to liquid, vapor, rain.
- Added weight of the device may cause instability of a free-standing portable luminaire.

- This device is suitable for enclosed fixtures, minimum lamp compartment dimensions:
155W/200W :11.81" (L) x 11.81" (W) ; 240W:15.75"(L) x 15.75"(W)
- This device is only available for base up or base down installation.

WIRING DIAGRAM

