



WARNING

- Installation, service, and maintenance of luminaires should be performed by a qualified licensed electrician.
- Specifications and dimensions are subject to change without notice.

CAUTION

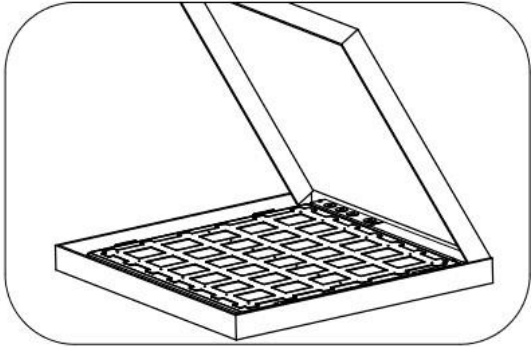
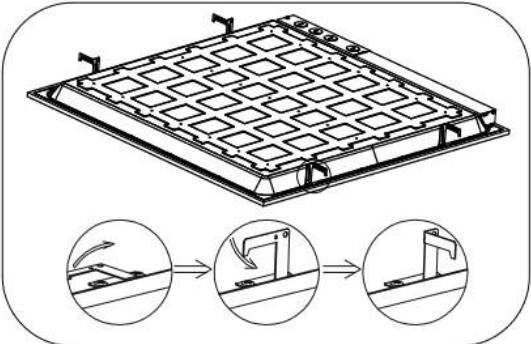
- Do not make or alter any open holes in the wiring enclosure or any other electrical components.
- Verify that supply voltage is correct by comparing it with the luminaire's label.
- All wiring connections should be capped with UL approved wire connectors.
- The green ground screw is provided in the proper location. Do not relocate.
- Minimum 90° supply conductors.

NOTICE

- Account for small parts and destroy all packing material, as these may be hazardous to children.
- Suitable for dry or damp location. Type IC.

Installation Instructions

Recessed Mounting

<p>Carefully unpack the unit and properly inspect for defects before installing. Wear work gloves to prevent dirt and oil from being transferred to the luminaire. If cleaning is needed, use gloves and a dry cotton cloth. Do not use hazardous chemicals.</p>	<p>Figure 1</p> 
<p>Lift up the four mounting clips on the sides of the luminaire. You can do it by hand (wearing gloves).</p>	<p>Figure 2</p> 

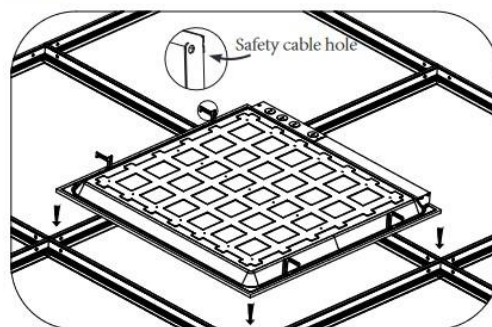


COLOR & WATTAGE SELECTABLE LED PANEL FIXTURE

WARNING, CAUTION, SAFETY AND INSTALLATION INSTRUCTIONS

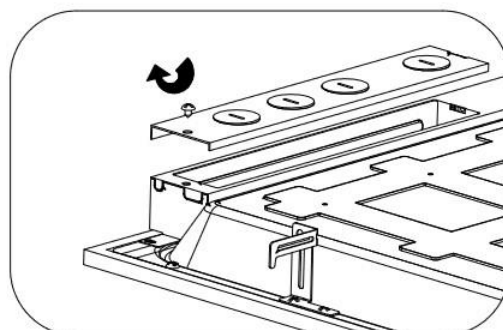
Insert the luminaire into the T-bar ceiling grid. Secure the safety cable to a connection hole. The safety cable and method of attachment to the building is decided by the contractor according to applicable codes.

Figure 3



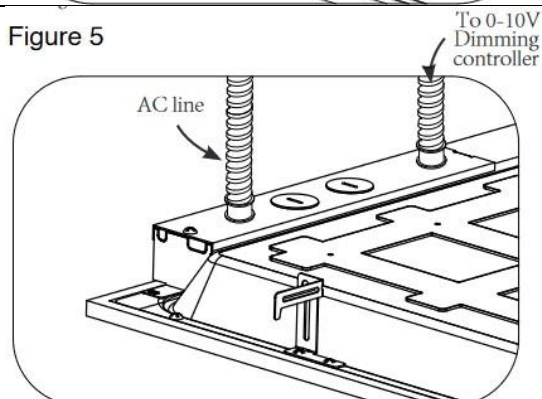
Remove the electrical enclosure cover. Carefully remove the knockout for AC line input wires and the 0-10V control line. Install electrical fittings in the knockout holes for wire protection.

Figure 4



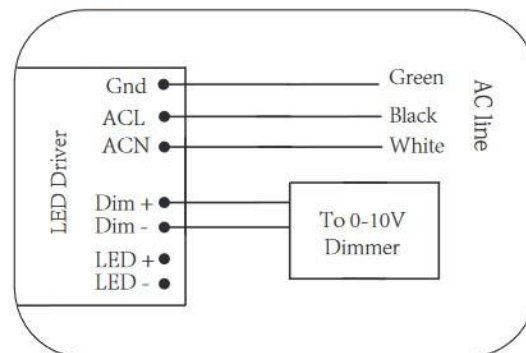
Connect the AC line (L and N and GND) to the LED driver. When connecting the 0-10V dimming controller, the wires must run through a separate electrical connector (not supplied) in an independent knockout hole.

Figure 5



When using the 0-10V dimming controller, run the wires from the controller through a different knockout than the AC input wire. Close the electrical enclosure cover when all connections are made and tighten the screws.

Figure 6

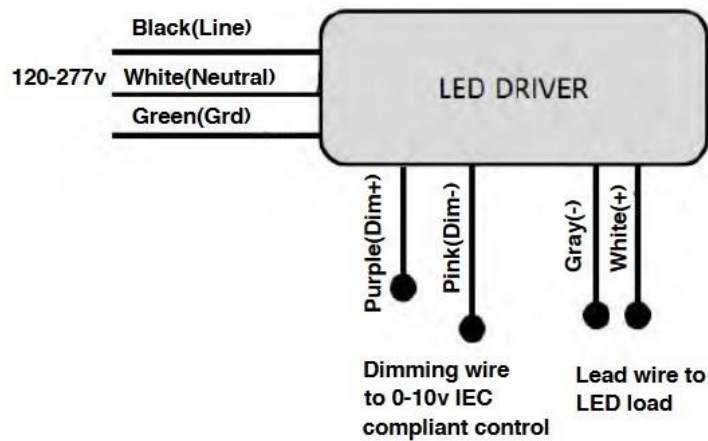




COLOR & WATTAGE SELECTABLE LED PANEL FIXTURE

WARNING, CAUTION, SAFETY AND INSTALLATION INSTRUCTIONS

Wiring Diagram

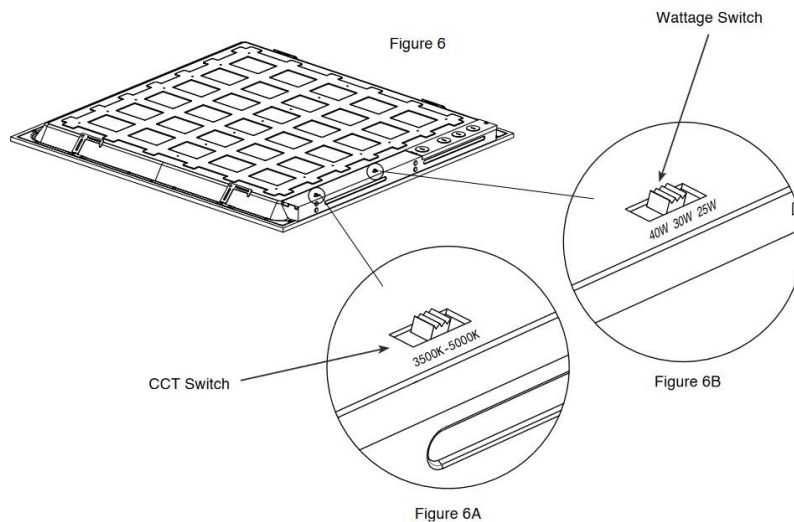


Field-Adjustable Wattage & CCT

Installers may adjust the wattage and color temperature using the two DIP switches located on the drivers. Changes should be made prior to powering the fixture on. Each DIP switch is accommodated with 3 options (left, middle, and right), corresponding to 3 color temperatures and 3 wattages.

Default Settings:

- CCT: 5000K
 - Wattage
 - 40W for the 2x2 PLT-90243
 - 50W for the 2x4 PLT-90244
 - 40W for the 1x4 PLT-90307
1. DIP switches are located on the driver box (see Figure 6).
 2. Select a wattage and color temperature by sliding the switch left or right respectively to the desired value (see Figure 6A).





⚠ WARNING

- Before installing, servicing, or performing routine maintenance upon this equipment, follow these general precautions.
- To reduce the risk of death, personal injury, or property damage from fire, electric shock, falling parts, cuts/abrasions, and other hazards, read all warnings and instructions included with and on the fixture box and all fixture labels.
- Proper grounding is required to ensure safety.
- Power must be turned off at the breaker before installation or maintenance.
- This product must be installed in accordance with the applicable installation code by a person familiar with the construction and operation of the product and the hazards involved.
- Wear gloves and eye protection at all times while installing, servicing, or performing maintenance on the luminaire, and avoid direct eye exposure to the light source while it is on.
- To prevent wiring damage or abrasion, do not expose wiring to edges of sheet metal or other sharp objects.
- Do not install damaged product. Inspect luminaire for damage that may have occurred during transit. If damaged, contact the manufacturer immediately.
- These instructions do not purport to cover all details or variations in equipment nor to provide every possible contingency to meet in connection with installation, operation, or maintenance. Should further information be desired or should particular problems arise which are not covered sufficiently for the purchaser's or owner's purposes, contact the manufacturer.

⚠ ADVERTENCIA

- Antes de instalar, reparar o realizar el mantenimiento de rutina de este equipo, siga estas precauciones generales.
- Para reducir el riesgo de muerte, lesiones personales o daños a la propiedad por fuego, descarga eléctrica, caída de piezas, cortes / abrasiones y otros peligros, lea todas las advertencias y instrucciones incluidas con y en la caja del dispositivo y todas las etiquetas del dispositivo.
- Se requiere una conexión a tierra adecuada para garantizar la seguridad.
- Se debe apagar la energía en el disyuntor antes de la instalación o el mantenimiento.
- Este producto debe ser instalado de acuerdo con el código de instalación aplicable por una persona familiarizada con la construcción y operación del producto y los peligros involucrados.
- Utilice guantes y protección para los ojos en todo momento durante la instalación, el servicio o el mantenimiento de la luminaria, y evite la exposición directa de los ojos a la fuente de luz mientras está encendida.
- Para evitar daños o abrasiones en el cableado, no exponga el cableado a bordes de láminas de metal u otros objetos afilados.
- No instale un producto dañado. Inspeccione la luminaria en busca de daños que puedan haber ocurrido durante el tránsito. Si está dañado, comuníquese con el fabricante de inmediato.
- Estas instrucciones no pretenden cubrir todos los detalles o variaciones en el equipo ni proporcionar todas las posibles contingencias a cumplir en relación con la instalación, operación o mantenimiento. Si desea obtener más información o si surgen problemas particulares que no están suficientemente cubiertos para los propósitos del comprador o propietario, comuníquese con el fabricante.