

DESCRIPTION

Featuring two adjustable LED lamp heads and durable thermoplastic housing, use these color selectable LED combination exit signs to provide light during a power outage or emergency.

FEATURES

- Single or double face sign with 6-inch letters
- Includes red and green lenses for changing letter color
- Two adjustable round LED lamp heads use 1W each
- Emergency operation for up to 90 minutes; recharges in 24 hours
- Built in 3.6V Ni-MH battery
- Has manual test switch and charge indicator
- Universal J-box mounting pattern for easy installation and is suitable for end or back mounting

LISTINGS

- UL rated for damp locations
- UL 94V-0 flame rating
- FCC
- RoHS

PERFORMANCE

- Lamp Head Wattage: 1W
- Emergency Operation: 90 minutes
- Charging Time: 24 Hours

THERMAL

- 32°F to 104°F (0°C to 40°C) operating temperature

ELECTRICAL

- Input Voltage: 120V-277V
- Input Current: 0.036A
- Input Wattage: 2.4W

BATTERY

- Type: Ni-MH
- Voltage: 3.6V
- Milliamp Hours: 1000 mAh

INSTALLATION

- Designed for wall or ceiling mounting (hardware included); see Installation Instruction PDF for more information

CONSTRUCTION

- Injection-molded thermoplastic ABS housing with white finish

project name	type
catalog number	
comments	voltage
approved by	date



WARRANTY

- 5 year limited warranty for the electrical parts and housing; 3 year warranty for battery; see pltsolutions.com for warranty details

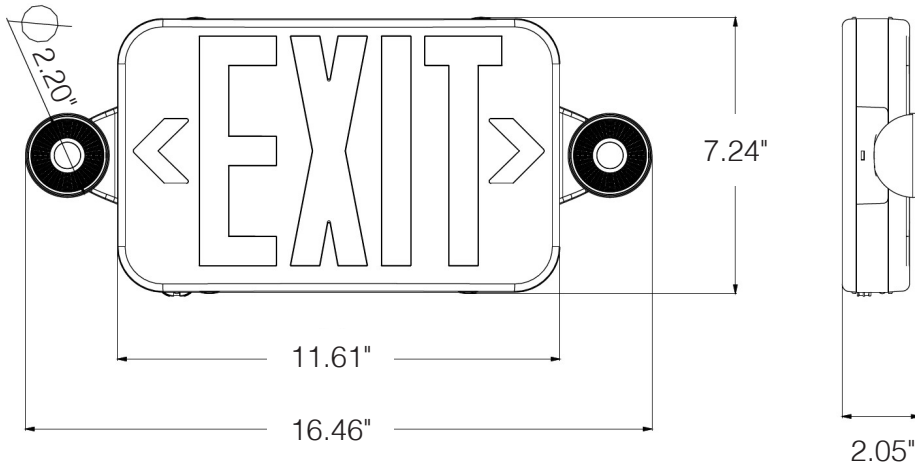
APPLICATIONS

- Hallways
- Stairwells
- Lobbies

PERFORMANCE SUMMARY

Item #	Input Wattage	Input Current	Lamp Head Wattage	Voltage	Battery Type	Emergency Operation	Recharge Time	Testing	Letter Color
PLTS-50290	2.4W	0.036A	1W (each)	120V/ 277V	Ni-MH	90 Minutes	24 Hours	Manual	Red/ Green

DIMENSIONS



DIMENSIONS

Height: 7.24"

Width: 11.61"

Width (with lamp heads): 16.46"

Depth: 2.05"

Lamp Head Diameter: 2.20"

Weight: 2.18 lbs.

WARNINGS

- Not for use outdoors.