



QTL Series High Bay

Product Specifications



The QTL Series High Bay family features a lightweight extruded aluminum body, 2FT and 4FT length options and up to 60,000 lumens resulting in a versatile solution for endless applications. The included mounting hardware makes the QTL Series High Bay quick to install and will provide a long-lasting, durable light source for years to come.

Take control of your lighting with our TCP SmartStuff accessories such as the SmartBox and smart high bay sensor. Install select motion/daylight sensors to control SmartBox high bays, set groups for aiseways or set timers and schedules - with TCP SmartStuff, you have options.

Reasons to choose the LED QTL Series High Bay from TCP

- Lightweight, quick install construction
- Uplight - no cave effect
- Standard frosted lens for glare control
- No shadows for smooth, even lighting
- Damp location rated
- 0-10V smooth dimming
- 250 or 400W HID equivalent
- 50,000 hour rated life
- Wide 120 degree beam spread
- Optional controls available
- Includes 6-foot power cord
- TCP SmartStuff compatible

Ideal Applications

- High ceiling locations
- Commercial settings
- Industrial settings
- Warehouses



Applications

The QTL Series High Bay family is a versatile solution for endless applications. With a lightweight extruded aluminum body and included mounting hardware, the QTL Series HB by TCP is quick to install and will provide a long-lasting, durable light source for years to come.

Features

- Lightweight, quick install construction
- Standard frosted lens for glare control
- No shadows for smooth, even lighting
- Damp location rated
- 0-10V smooth, no flicker dimming
- Operating temperature: -4° to 122°F
- 250 or 400W HID equivalent
- Long 50,000 hour rated life
- Wide beam spread due to LED design providing a clean cutoff
- Optional battery backup or motion sensors available
- Includes 6-foot power cord

Hardware Included

- 2 tong hangers
- 5' jack chains
- 6' pre-wired cord

Installation

Before hanging installation, please consult your local ordinances and building codes.



Listings

cULus Listed
RoHS Compliant
DLC 5.1 Standard

Warranty

Five year limited warranty against defects in manufacturing.

Catalog Ordering Matrix

Example: QHB2UZDA250K

QHB	2	U	ZD	A3	50K		
FAMILY	LENGTH	VOLTAGE ³	CONTROLS	LUMEN PACKAGE (Power) ²	CCT	FACTORY INSTALLED OPTIONS	FACTORY INSTALLED CONTROLS ⁴
QHB – QTL Series High Bay	2 – 2 foot	U – 120-277V H – 347-480V C – 120-347V	ZD – 0-10V Dimming	A2 – 14,850L (110W) E4 – 17,550L (130W) A3 – 22,275L (165W) A4 – 30,500L (220W)	40K – 40K CCT 50K – 50K CCT	Blank – No Add on B – Battery Backup	Blank – No controls SM – SmartStuff SmartBox SMS – SmartStuff Microwave Motion Sensor MS1 – Microwave Motion Sensor LS1 – Leviton Passive Infrared Sensor LS1D – Leviton Passive Infrared Sensor/Daylight Harvesting

¹ Approximate lumen output. Actual performance may vary based on CCT, options selected and end use application.

² Actual wattage may differ by +/- 10%

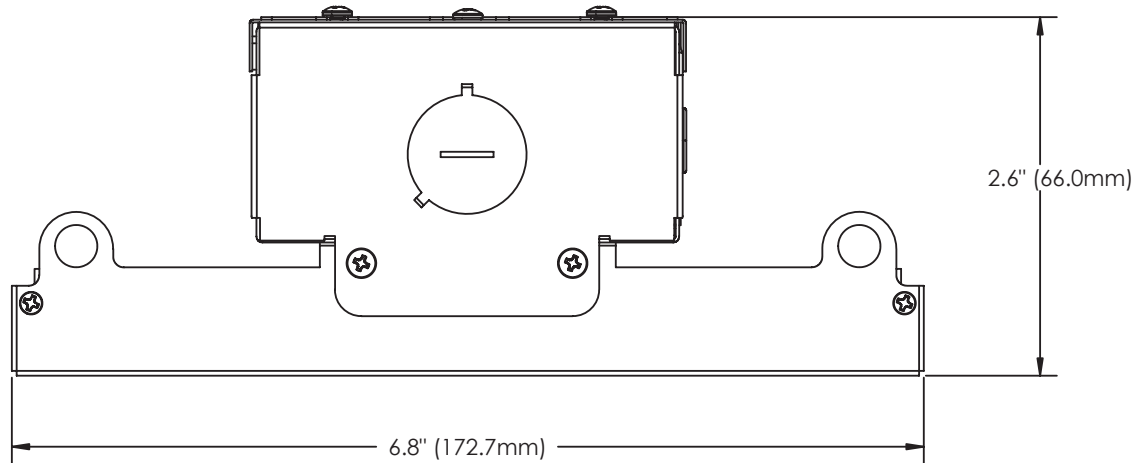
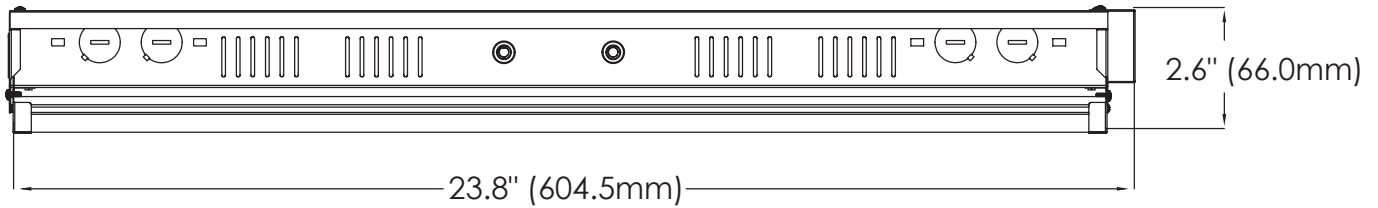
³ C - 120-347V is for Canada only

⁴ SmartBox controls are not available on QHB4UZDA2**K at this time

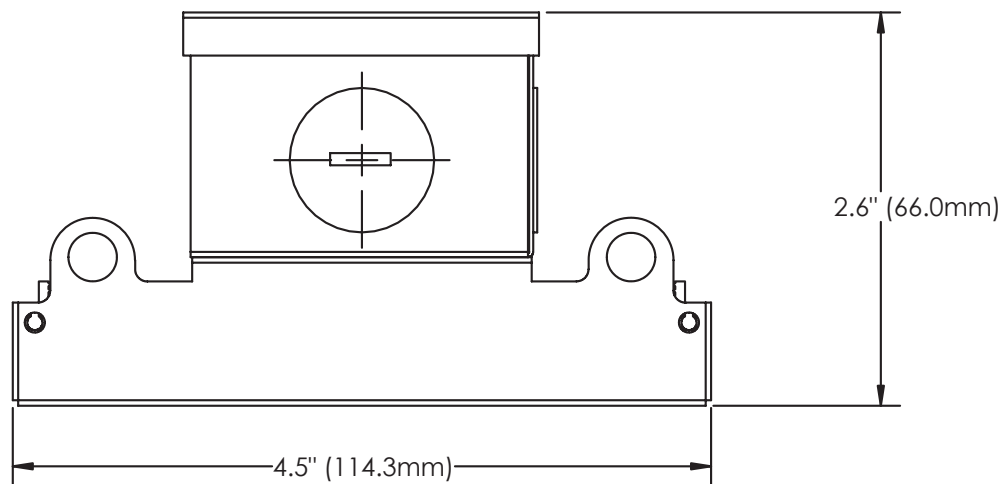
Field Installed Accessories

- QHB2WGUARD1 - Wire Guard for 110W Model
- QHB2WGUARD2 - Wire Guard for 130W-220W Models

Wireline Dimensions



QHB2UZDE450K, QHB2UZDA350K & QHB2UZDA450K



QHB2UZDA250K

Applications

The QTL Series High Bay family is a versatile solution for endless applications. With a lightweight extruded aluminum body and included mounting hardware, the QTL Series HB by TCP is quick to install and will provide a long-lasting durable light source for years to come.

Features

- Lightweight, quick install construction
- Standard frosted lens for glare control
- No shadows for smooth, even lighting
- Damp location rated
- 0-10V smooth, no flicker dimming
- Operating temperature: -4°F to 122°F
- 250 or 400W HID equivalent
- Long 50,000 hour rated life
- Wide beam spread due to LED design providing clean cutoff
- Optional battery backup or motion sensors available
- Includes 6-Foot power cord

Hardware Included

- 2 tong hangers
- 5' jack chains
- 6' pre-wired cord

Installation

Before hanging installation, please consult your local ordinances and building codes.



Listings

cULus Listed
RoHS Compliant
DLC 5.1 Standard

Warranty

Five year limited warranty against defects in manufacturing.

Catalog Ordering Matrix

Example: QHB4UZDA450K

QHB	4	U	ZD	A4	50K	FACTORY INSTALLED OPTIONS	FACTORY INSTALLED CONTROLS 4
FAMILY	LENGTH	VOLTAGE 3	CONTROLS	LUMEN PACKAGE (Power) ^{1,2}	CCT		
QHB – QTL Series High Bay	4 – 4 foot	U – 120-277V H – 347-480V C – 120-347V	ZD – 0-10V Dimming	B2 – 14,850L (110W) A4 – 30,500L (220W) A6 – 44,550L (330W) A8 – 59,400L (440W)	40K – 40K CCT 50K – 50K CCT	Blank – No Add on B – Battery Backup	Blank – No controls SM – SmartStuff SmartBox SMS – SmartStuff Microwave Motion Sensor MS1 – Microwave Motion Sensor LST – Leviton Passive Infrared Sensor LS1D – Leviton Passive Infrared Sensor/Daylight Harvesting

¹ Approximate lumen output. Actual performance may vary based on CCT, options selected and end use application.

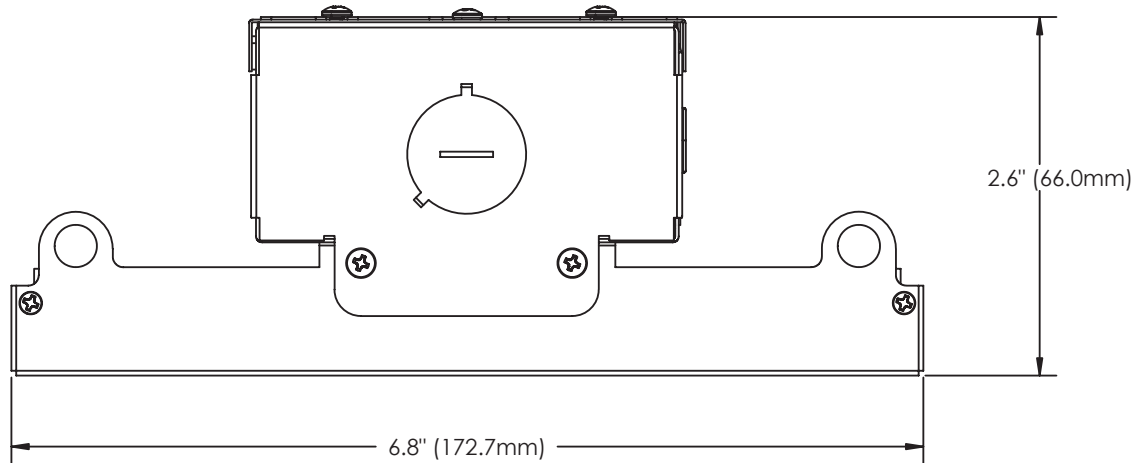
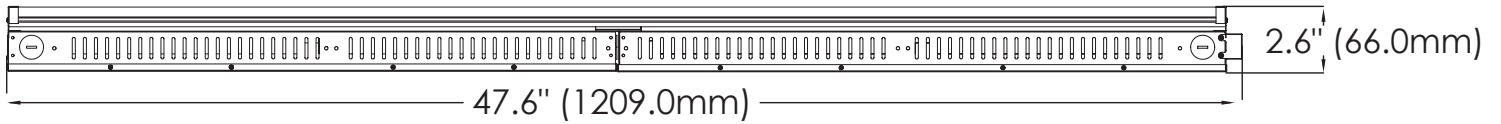
² Actual wattage may differ by +/- 10%

³ C - 120-347V is for Canada only

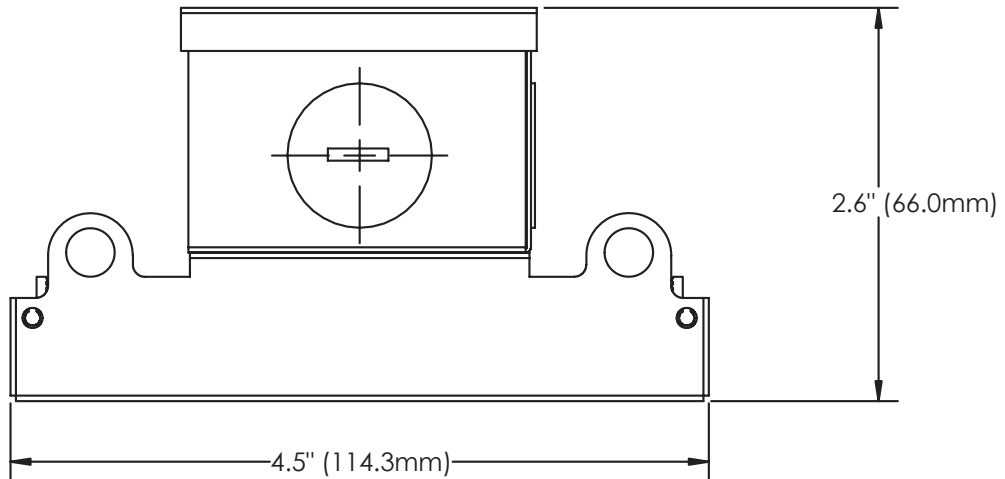
Field Installed Accessories

- QHB4WGUARD1 - Wire Guard for 220W Model
- QHB4WGUARD2 - Wire Guard for 330W-440W Models

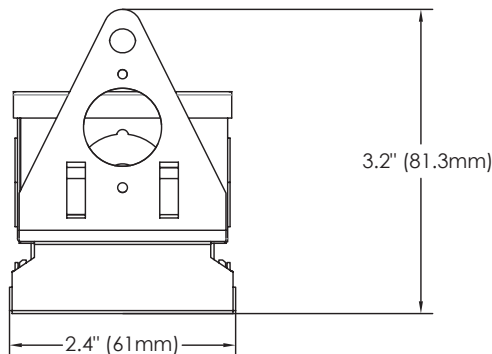
Wireline Dimensions



QHB4UZDA650K & QHB4UZDA850K



QHB4UZDA450K



QHB4UZDB250K

TECHNOLOGY CAST IN A BEAUTIFUL LIGHT

For over 20 years, TCP has been designing, developing and delivering energy-efficient lighting into the market. Thanks to our cutting-edge technology and manufacturing expertise, we have shipped billions of high quality lighting products. With TCP, you can count on a lighting product that is designed to meet the needs of the market - that transforms your surroundings and envelopes you in warmth - lighting that generates beauty with every flip of the switch.

Sales:

Date:

Model:

Project:

Rep:

Catalog Number:

Type:

Notes:



For more information on the quality and care TCP can deliver, call us at **800.324.1496** or visit tcp.com

325 Campus Dr. | Aurora, Ohio 44202 | P: 800.324.1496 | F: 877.487.0516