



5000K
CCT

LED ESPL4-2050fe

Part #: EFSPL4/Q/42W/4300/110D/50K/PLUG/E Linear Class: Suspended 4ft. 2 Lamp

Product Description

LED ESPL4-2050fe delivers superior brightness, valuable energy savings and long lasting performance. This LED Shop Light is ideal for task lighting due to its uniform *cool white light (5000K) and replaces 75 Watt lamps. Enjoy features such as: instant on, shatter resistance, mercury free and connectivity with up to 10 other lamps.



Estimated Energy Cost: \$5.05 per year

*Note: Design, features and specifications subject to change without notice. Some features may not be available on all models. For more information please visit: www.eurilighting.com or call 1-888-743-5766

Linkable

Connect up to 10 lights!
Hanging chain & linking hardware are Included.

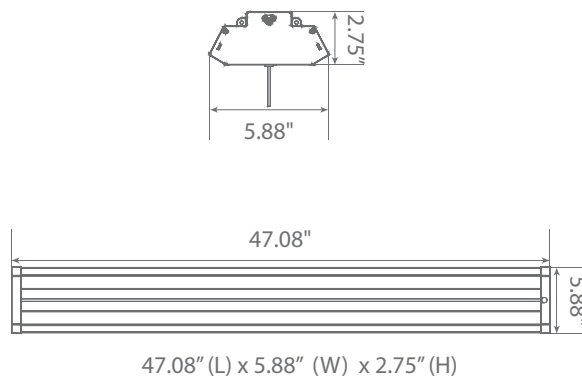
Specifications

Input Power	Input Voltage	Lumen Output	Beam Angle	Center Beam	CCT
42 W	120 V / 60 Hz	4300 lm	102°	N/A	5000 K
CRI	Luminous Efficacy	Power Factor	Input Current	Base/Cap	Lamp Lifespan
80	102 lm/W	0.9	.43 A	Plug-in	50,000 Hrs.

Product Features

- Non-Dimmable
- Instant-On/Off
- Mercury Free
- Damp Rated

Product Dimensions



Product Photometric Data



Euri Lighting | A Division of **IRTRONIX** Inc.

20900 Normandie Avenue Bldg. B, Torrance, CA 90502 | Tel: 888.743.5766 | Fax: 310.787.1166 | www.eurilighting.com
©2017 Euri Lighting. All Rights Reserved