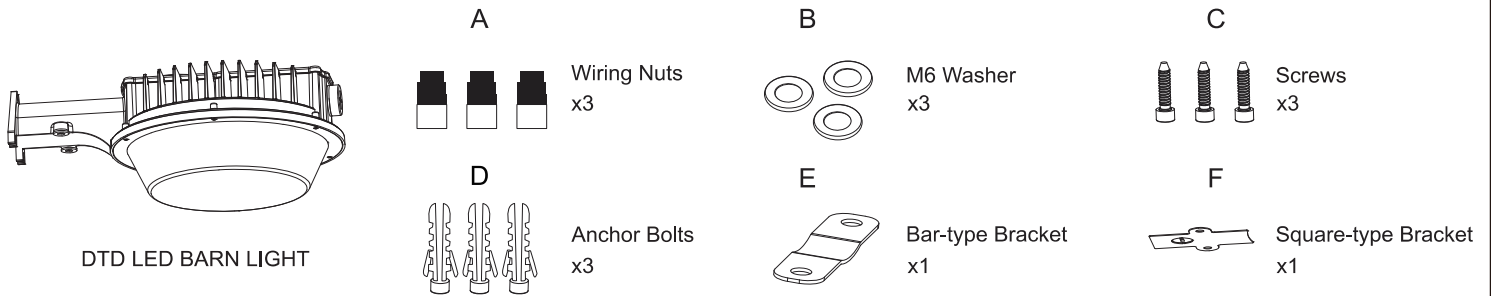




**WARNING**

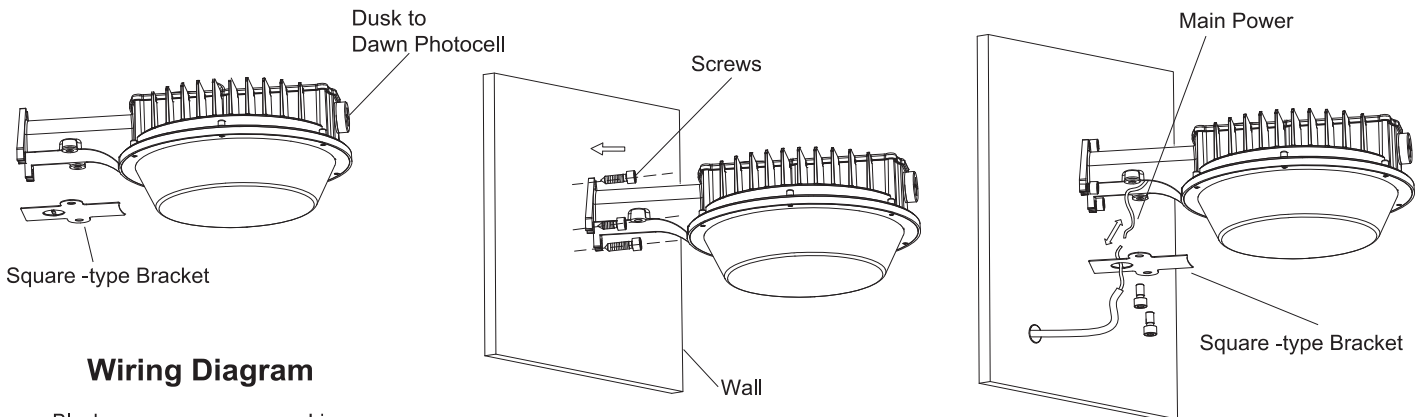
**PLEASE READ ALL INSTRUCTIONS BEFORE ATTEMPTING INSTALLATION**

- To prevent personal injury or product damage only licensed electricians should install.
- To avoid electric shock or component damage disconnect power before attempting installation or servicing.
- Disconnect product and allow cooling prior to servicing.
- Any alteration or modification of this product is forbidden as it may cause personal injury, death, property damage and/or product malfunction.
- To prevent product malfunction and/or electrical shock this product must be properly grounded.
- This luminaire is designed to operate in ambient temperatures ranging from -40°C to 45°C (-40°F to 113°F).
- MIN 90°C SUPPLY CONDUCTORS.
- CONSULT A QUALIFIED ELECTRICIAN TO ENSURE CORRECT BRANCH CIRCUIT CONDUCTOR.

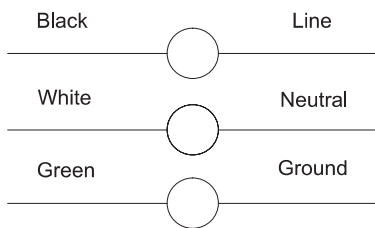


## Wall Mounting

1. Remove Square-type Bracket.
2. Place the screws through the washers and into holes on mounting bracket, line up with holes on the wall and attach firmly with screws.
3. Remove knockout from Square-type Bracket, and feed the electrical supply conductors into the bracket.
4. Make electrical connections and then firmly attach the square-type bracket to the luminaire.
5. Installation completed.



### Wiring Diagram



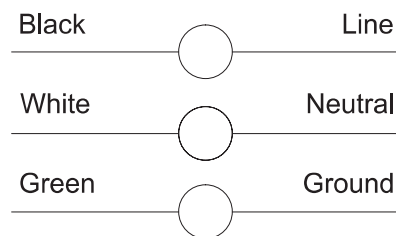
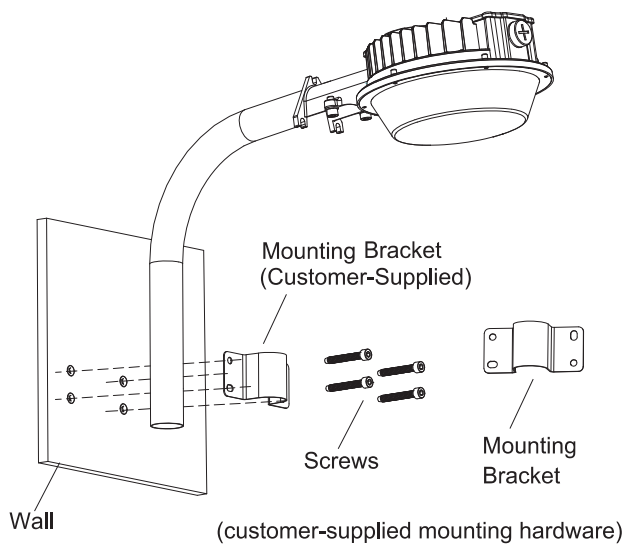
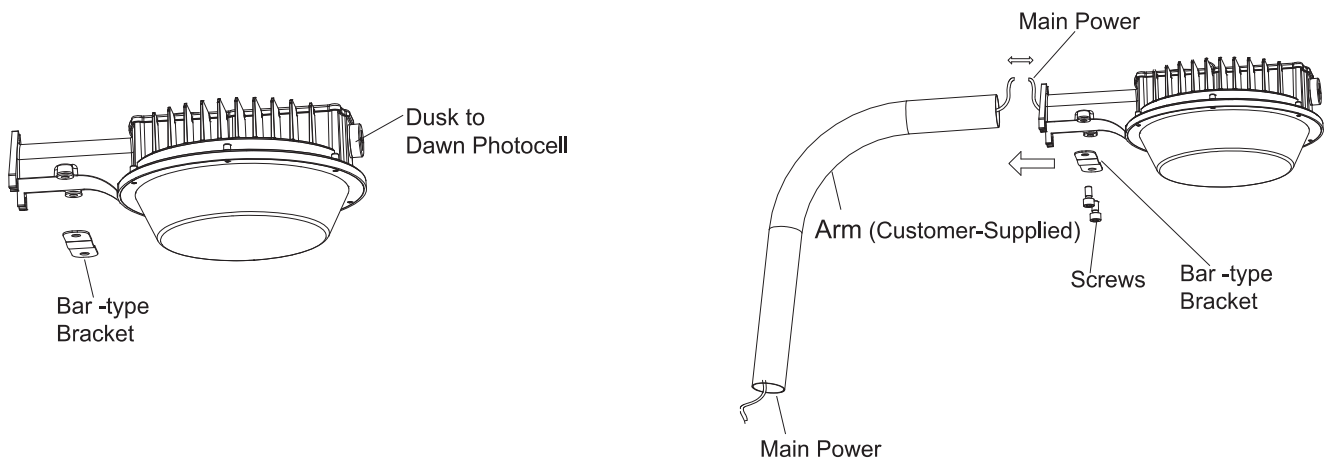
Any further questions or interests, please visit

[www.pltsolutions.com](http://www.pltsolutions.com)



## Arm Mounting (with Customer-Supplied Pole)

1. Remove Bar-type Bracket.
2. Feed electrical supply conductors through the customer supplied arm, and make electrical connections with the luminaire.
3. Mount luminaire to arm, and attach the bar-type bracket firmly with screws.
4. Drill holes on the wall, and mount the arm on the wall using customer-supplied mounting hardware.
5. Installation completed.



Any further questions or interests, please visit

[www.pltsolutions.com](http://www.pltsolutions.com)