



LED ET8-1151-13

Part #: ELT8/P/13W/1650/270D/50K/G13/T Lamp Class: T8 (4 ft.)



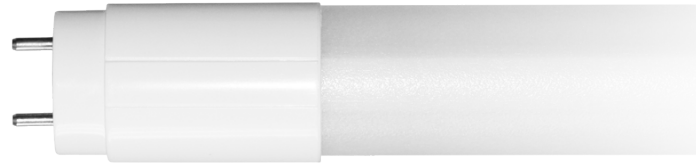
Nano-plastic composites deliver splendid light distribution without compromising brightness or producing undesirable glare.

Product Description

LED ET8-1151-13 delivers superior brightness, valuable energy savings and long lasting performance. **EURI™** 4 ft. Direct Replacement T8 LED lamp is ideal for offices, conference rooms, hotels, academic complexes, research buildings, medical facilities and commercial stores. Built-in driver reduces maintenance expenses while NANO plastic composites deliver splendid light distribution without compromising brightness or generating undesirable glare. Available in 4000K *Bright White* and 5000K *Cool White*. Enjoy features such as: instant on, shatter resistance and mercury free.



Estimated Energy Cost: \$1.56 per year



Direct Replacement

Simply plug and play!

*Note: Design, features and specifications subject to change without notice. Some features may not be available on all models. Please visit www.eurilighting.com or call 1-888-743-5766 for more information.

Specifications

Input Power	Input Voltage	Lumen Output	Beam Angle	Center Beam	CCT
13 W	100-277 V	1650 lm	270°	N/A	5000 K
CRI	Luminous Efficacy	Power Factor	Input Current	Base/Cap	Lamp Lifespan
80	126 lm/W	0.9	0.1 A	G13	50,000 Hrs.

Product Features



Non-Dimmable



Instant-On/Off

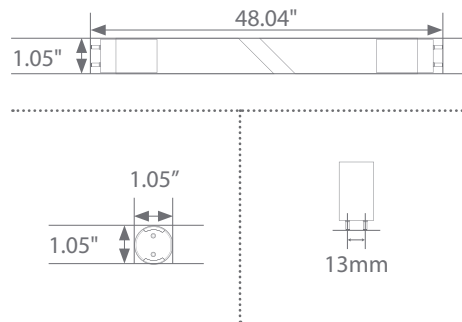


Mercury Free

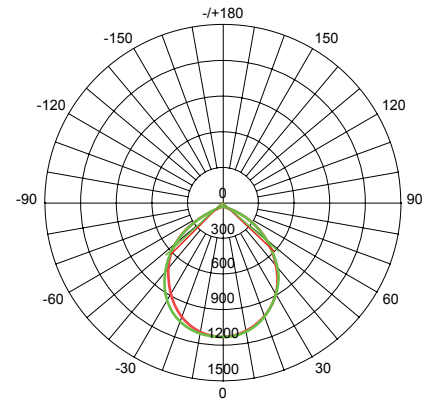


Damp Rated

Product Dimensions



Product Photometric Data



Euri Lighting | A Division of **IRTRONIX** Inc.

20900 Normandie Avenue Bldg. B, Torrance, CA 90502 | Tel: 888.743.5766 | Fax: 310.787.1166 | www.eurilighting.com
 ©2017 Euri Lighting. All Rights Reserved



LED ET8-1151-13

Compatible Ballasts

GENERAL ELECTRIC: GE132MAX-G-347, GE259MAX-G-N-DIYB, GE259MAX-G-N, GE332MAX-G-L, GE332MAXPN/ULTRA, GE432MAXP90-S60, GE432MAX-G-L

ROBERTSON: ISA259T8MV, ISL432T8HEMV

STANDARD: E232T8IS10/N/AS/BULK, E432T8IS10/N/AS/BULK

ULTRASAFE: UT 232347

UNIVERSAL: B259IUNVHP-A, B232I347HP-A

*Note: Ballast compatibility testing is performed under a controlled laboratory environment. Installation conditions may differ from this controlled environment due to ballast age or possible ballast malfunction. Ballasts may have also undergone manufacturer's revisions while retaining the same model number, which could affect compatibility. Before a major relamping, Euri Lighting recommends testing a sample of ballast-lamp combinations on-site to ensure compatibility. Only the ballasts listed on Euri Lighting's official ballast compatibility list have been tested and verified as compatible. Euri Lighting is not liable for any installations that utilize ballasts not listed.