



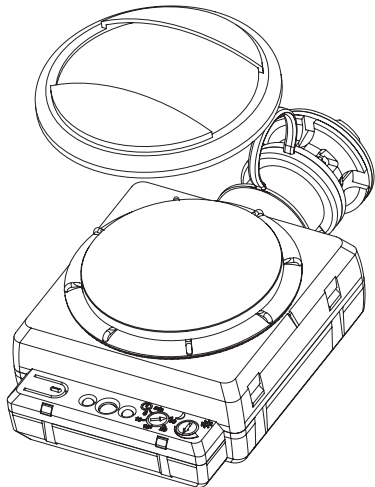
# Wattstopper®

High Bay, Line Voltage, Passive Infrared Occupancy Sensor  
Détecteur de mouvement infrarouge passif, Tension de ligne, Grande hauteur  
Montaje alto, Voltaje de línea, Sensor de ocupación infrarrojo pasivo  
Installation Instructions • Instructions d'Installation • Instrucciones de Instalación

No: 23833 – 12/20 rev. 3

## Catalog Numbers • Les Numéros de Catalogue • Los Números de Catálogo: HBP-111/HBP-112

Country of Origin: Made in China • Pays d'origine: Fabriqué en Chine • País de origen: Hecho en China



## SPECIFICATIONS

Voltage .....	120/230 (Single Phase L-N)/277/347 VAC, 50/60 Hz;
Load Requirements:	
@120VAC .....	0 - 1000VA, 1/4 HP
@230VAC .....	0 - 1000 VA
@277VAC .....	0 - 1200VA, 1/4 HP
.....	Tungsten, Ballasts, Electronic Ballast, Fluorescent and LED
@347V .....	0 - 1500 VA, 1/4 HP; Ballasts and LED
Light Level .....	1-300 fc (@4000K)
Factory Default .....	Disable
Time Delay Adjustment .....	1-30 minutes (Remote)
.....	5-30 minutes (Manual Trimpot)
Factory Default .....	15 minutes
Sensitivity .....	Min, Med, Max
Factory Default .....	Max

## DESCRIPTION AND OPERATION

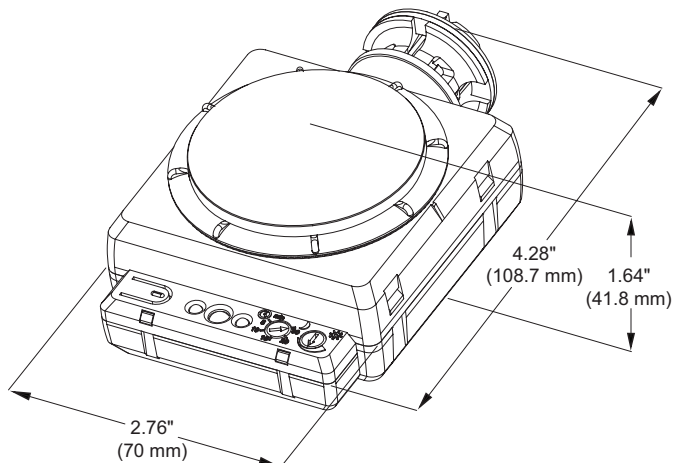
The HBP series occupancy sensors are designed for automatic lighting control in warehouse high bay applications. All models contain a passive infrared sensor (PIR). The coverage area is determined by the selected lens module. The lenses are interchangeable with any HBP series sensor.

### HBP-111

The HBP-111 can be commissioned remotely using the FSIR-100 or with the manual trimpot settings.

### HBP-112

The HBP-112 can be commissioned manually by adjusting the trimpots designated for Time Delay and Light Level settings.



Dimensions

**NOTE:** Length is 4.95" (125.6mm) before retaining clip is removed and snap-in nipple is collapsed.

## LENS COVERAGE

The HBP-111/112 occupancy sensors are modular, consisting of two parts, a Sensor Module and a Lens. When used with the HBP-L7 lens, the sensors are optimal for mounting heights of 20' to 40'. There is an optional masking accessory for aisle way applications. Snap it on and rotate to the desired position.

Lens and sensors are indoor rated and are ideal for warehouse spaces. Avoid placing the sensor where shelving or other obstructions may block the sensor's line of sight.

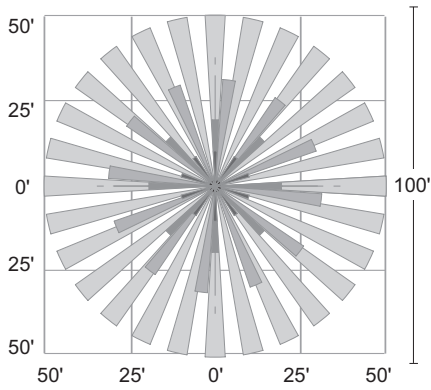
### Passive Infrared Sensing in Industrial Applications

Industrial applications can have ambient temperature variations that may affect sensor detection and coverage areas. High temperatures at the covered area (above 80°F) reduce the detection zone of the sensor. High ambient temperatures can cause false triggers by the sensor. Installers should make their best effort to make the sensor away from the LED light source, which also contributes to false triggers. Consider adding more sensors if the ambient temperatures are expected to be high. Additionally, high floor level temperature may require larger movement for detection. Fixtures with installed sensors should be mounted away from air vents to mitigate the risks of false triggers. In some cases, sensors mounted above 40' may only detect large heat signatures such as forklift trucks. See the Best Practices Guide for Warehouse at [www.legrand.us](http://www.legrand.us) for more information.

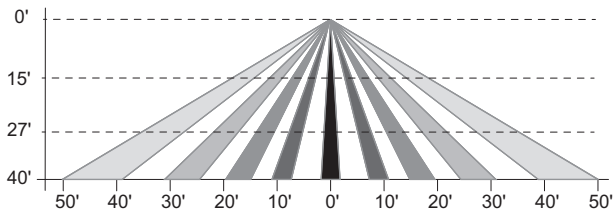
## HBP-L7: 360° Coverage

The HBP-L7 has a lens that covers a 100' diameter area at a height of 40'.

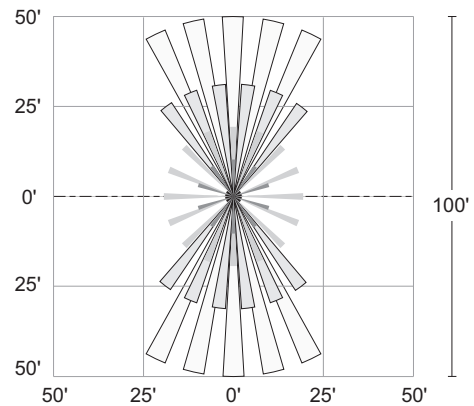
Coverage Top View @ 40'



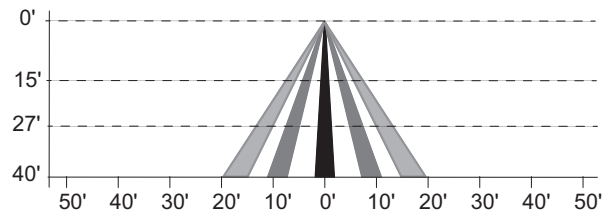
Standard Coverage Side View



Coverage Top View @ 40' with Masking



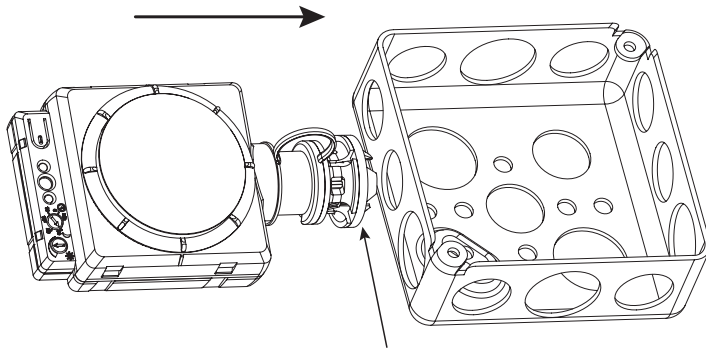
Side View with Masking



## MOUNTING OPTIONS

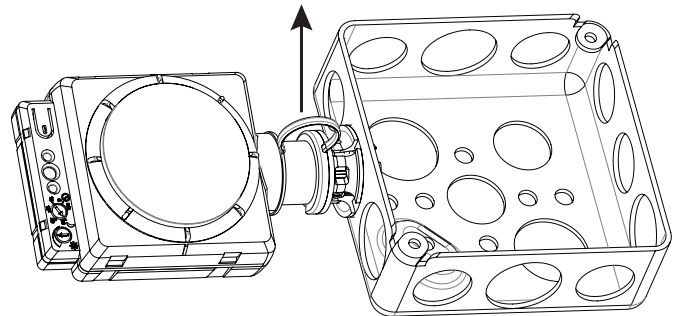
The HBP series sensors feature a snap-in nipple design that provides quick, easy mounting, and secure attachment to a junction box or fixture. Additionally, the sensors can be attached to the bottom of the fixture using the optional surface mount module (HBP-SM1). The optional extender module (HBP-EM1) can be used to lower the sensor by up to 4 inches. The extender module provides several mounting height options through the use of simple knock outs. Refer to the HBP-SM1 and HBP-EM1 installation instructions for further details.

❶ Push HBP into fixture or junction box to snap into place.

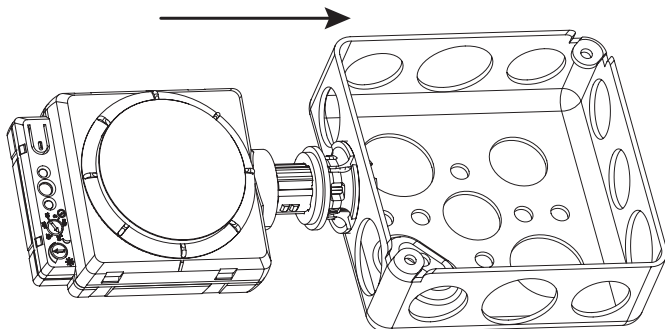


Washers can be removed as needed to accommodate thickness of fixture wall.

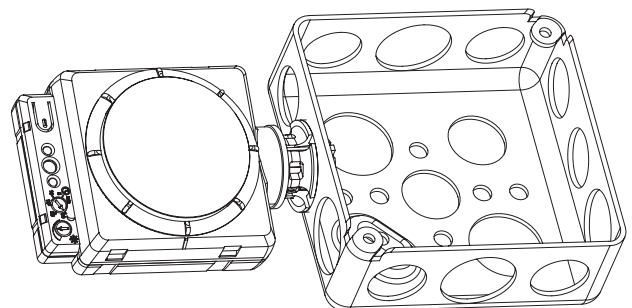
❷ Remove retaining clip by pulling handle.



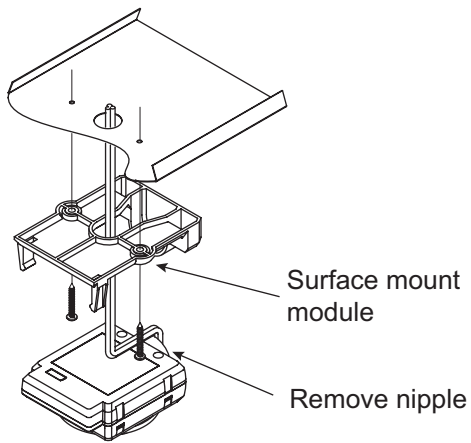
❸ Push HBP into fixture or junction box to secure.



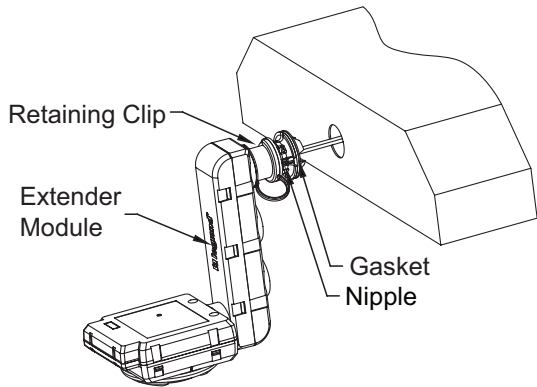
❹ HBP secured to fixture or junction box



### Using the HBP-SM1 Surface Mount Module

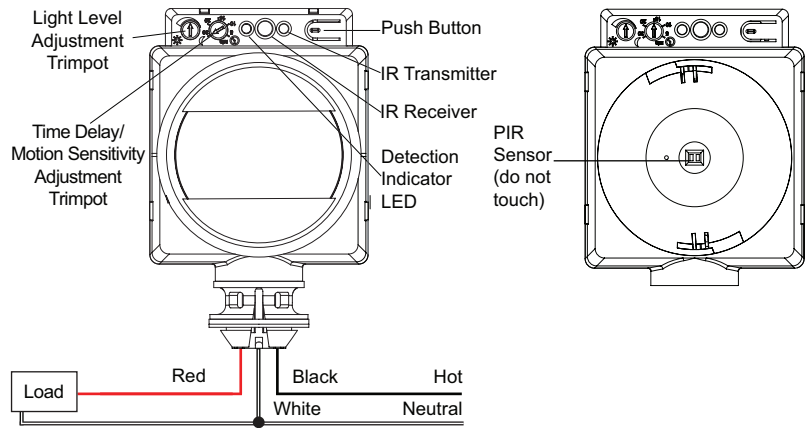


### Using the HBP-EM1 Extender Module



**⚡ WARNING: TURN THE POWER OFF AT THE CIRCUIT BREAKER BEFORE WIRING. ⚡**

## WIRING



## INSTALLATION

1. Determine the mounting location appropriate to the features of the sensor and the coverage area. Careful consideration must be given to sensor placement. Avoid placing the sensor where the edge of the fixture, shelving or other obstructions may block the sensor's line of sight. Mount the sensor below the edge of the fixture and away from the fluorescent lamps so that the heat from the lamps does not affect the sensor.
2. Make sure that you have the appropriate accessories for the sensor mounting configuration. (See Mounting Options.)
3. Assemble any necessary mounting accessories and attach them to the sensor, making sure that the flying leads from the power module are accessible.
4. Connect the line voltage and load wires to the sensor leads as shown in the Wiring Diagram for the unit's application.
  - Do not allow bare wire to show.
  - Make sure all connections are secure.
5. Restore power from the circuit breaker.

## IMPORTANT START-UP INFORMATION

A 60 second start-up period occurs during initial installation and after a power failure of 5 minutes or more. After applying power, there is warm-up time of 60 seconds before the sensor begins detecting motion.

- If the HBP powers up with **Fail-On** mode enabled, the load turns On immediately after power-up. The load stays on during warm-up. If no motion is detected when warm-up is complete, it waits for the delay time to expire before turning off the load.
- If the HBP is powered up with **Fail-Off** mode enabled, the load stays off during warm-up time until next motion detection. Once warm-up is complete, the load turns on when motion is detected.

## ADJUSTMENTS

### Setting Time Delay

#### Using the Trimpot - HBP-111/112

Use a screwdriver or fingernail to adjust the trimpot on the sensor housing to the desired time delay. Move the trimpot till it "clicks" into the setting (5, 10, 15, 20, or 30 minutes).

#### Using the FSIR Remote - HBP-111 only

1. Aim the remote at the sensor.
2. Select **New Settings** and **Adjust Time Delay**.
3. Choose from the range of 1 min - 30 mins with 1 minute increments.
4. Select **Send**.

**NOTE:** Any adjustments made will override any previous settings whether manually made on the sensor or through the FSIR-100.

## Motion Detection Sensitivity

### Using the Trimpot - HBP-111/112

1. Enter Test Mode by holding push button for approximately 3 seconds. While in test mode, the time delay trimpot functions as a sensitivity adjustment.
2. Using a screwdriver or fingernail, adjust the time delay trimpot on the sensor to change the sensitivity as follows:
  - Low Sensitivity - 5min or 10min position
  - Medium Sensitivity - 15min or 20min position
  - Maximum Sensitivity - 30min position
3. Exit test mode by pressing and holding push button for approximately 3 seconds.
  - **For the HBP-111** – If the time delay was originally set manually, using the trimpot, then you must move the trimpot back to its original setting after exiting test mode, or else the time delay will change to the present trimpot setting. But if the time delay was originally set using the FSIR-100, then the time delay will automatically revert to the set amount and will ignore the trimpot setting.
  - **For the HBP-112** – You must move the trimpot back to its original setting after exiting test mode, or else the time delay will change to the present trimpot setting.

**NOTE:** When you exit test mode, adjusting the trimpot will no longer change the sensitivity.

### Using the FSIR Remote - HBP-111 only

1. Aim the remote at the sensor.
2. Select **New Settings** and **Sensitivity**.
3. Choose from the option of “Min”, “Med”, or “Max”.
4. Select **Send**.

**NOTE:** Any adjustments made will override any previous settings whether manually made on the sensor or through the FSIR-100.

## Light Level Hold-Off

The Light Level feature holds lights off upon initial occupancy if adequate ambient light exists. It will not turn the lights off if they are on. If the ambient light level is lower than the factory preset light level or manually adjusted set point, the loads will trigger on once occupancy is detected. The default setting is for maximum, meaning that even the brightest ambient light will not hold the lights off. When the light level is set it is written to memory so that in the event of power failure the setting is not lost.

- Avoid mounting in location where adjacent fixtures contribute to the photocell measurement.
- Adjust during daylight hours when ambient light is at the desired level.

## Setting Light Level Hold-Off

If desired, set the light level using the steps below. The light level values referenced are approximate and reference 4000K CCT. Variations in color temperature may affect the actual levels the sensor sees. It is recommended that light level hold off be set up in the morning for best results.

### Trimpot

1. Use screwdriver or fingernail to adjust the trimpot on the sensor housing to desired photocell setting.
2. Use analog wheel with hashmarks (1-300fc).

### FSIR Remote

1. Aim the remote at the IR lens on the sensor.
2. Select **Adjust Photocell Setting**.
3. Choose from the range of 1fc - 300fc with 1 fc increments.
4. Select **Send**.

**NOTE:** Any adjustments made will override any previous settings whether manually made on the sensor or through the FSIR-100.

## Push Button Functions

The following functions are available by pressing the Push Button per the instructions, below.

**Manual Mode:** To place the unit in or out of Manual Mode, quick press the Push Button to toggle the load ON and OFF. When the load is turned ON manually, the sensor will remain in that state as long as there is motion detected and the time delay has not expired. If the load is turned OFF manually, the sensor holds the load OFF for as long as motion is detected and then for an additional 5 minutes of no motion detection. The next time the sensor detects occupancy and the ambient light is lower than the set level, the sensor automatically turns ON the load.

**Test Mode:** To place the unit in a 10 minute Test Mode, press the Push Button for about 3 seconds to enter Test Mode, or enable the Test Mode with the FSIR-100 for the HBP-111. The LED will flash once confirming you are in Test Mode. To exit Test Mode, press and hold the Push Button for 3 seconds. Walk-test the unit to ensure proper detection.

**Service Mode:** To place the unit in or exit out of Service Mode, press and hold the Push Button for about 6 seconds. The LED will flash twice confirming you are in or out of Service Mode. In Service Mode, the LED will always be ON and load status only can be changed by push button or remote.

**Fail On Mode:** Pressing and holding the Push Button for about 9 seconds will enable Fail ON. The LED will flash three times confirming Fail ON is enabled. In this mode, the sensor will turn the connected loads ON upon restoration of power. In the event of a sensing failure, this mode will ensure power is still available for connected loads. The sensor is set to this mode by default.

**Fail Off Mode:** Pressing and holding the Push Button for about 12 seconds will enable Fail OFF. The LED will flash four times confirming Fail OFF is enabled. In this mode, the sensor will keep the connected loads OFF upon restoration of power.

**Factory Default:** To manually return the unit to factory default settings, press and hold the Push Button for about 15 seconds. This will return all settings back to factory default with the exception of time delay and light level, which will be set to the current trimpot settings. When using the FSIR-100 remote to return to factory default (HBP-111 only), all settings will be returned to the original factory settings regardless of current trimpot positions.

The LED will remain solid ON confirming it has been reset to the factory default.

**Cancel:** To prevent any changes from being made, hold the push button for about 18 seconds. For example, if resetting to factory default (or any other setting) is not desired then keep holding until you reach 18 or more seconds. The LED will turn off after 18 seconds to indicate there were no changes made.

### Other Features Available On the HBP-111

Use the FSIR-100 remote to disable or enable following modes:

**Burn-In Mode:** When Burn-In Mode is invoked the output will turn on for 100 hours and not turn off until 100 hours is reached. But, the Push Button or remote can turn the load off and the unit will leave Burn-In Mode. Default is Disable.

**Walk-Through Mode:** In this mode, the load will turn off after a 3 minute period following an initial occupancy event if there is no detection after the first 30 seconds. If motion continues beyond the first 30 seconds, the set time delay applies. Default is Disable.

**Visual Alert:** When only 1 minute is left for time delay, the load connected to the relay turns OFF for 1 second. Default is Disable.

**Service Mode:** In this mode, when Service Mode is disabled, the LED will always be on; both motion detection and light level functionality are disabled and only the Push Button or remote can toggle load ON and OFF. The default setting for Occupancy Mode is Enable.

## TROUBLESHOOTING

To confirm proper operation, review the Start-Up and Test Mode information.

### Red LED on sensor module does not blink:

Check for proper sensor wire connections and make sure they are tightly secured.

### Red LED blinks but lights do not turn ON:

1. Make sure that power to the sensor has been ON continuously for at least 60 seconds, then
  - a. Set daylight set point to maximum and allow the sensor to time out.
  - b. Turn ON power to the sensor. The load should come ON. If sensor fails to turn ON, continue with step 2.
2. Check power connections to the light fixture.
3. Check all sensor wire connections. Verify the load wire is tightly secured.

### Lights will not turn OFF:

1. If there is no motion from people or equipment in the sensor's view but the red LED blinks, look for any nearby source of infrared energy (heat) in motion, such as turbulent air from a heating or cooling supply, or other sources such as heat from the fluorescent lamps in the fixture.
  - Mount the sensor so that its lens is below the edge of the fixture and does not directly view the lamps.
  - Divert the air supply away from the sensor, or move the sensor.
2. Verify time delay set in trimpot settings. The time delay can be set from 5 minutes to 30 minutes. Ensure that the time delay is set to the desired delay and that there is no movement within the sensor's view for that time period.
3. Check PIR and Light Level trimpot settings. If all control functions are overridden the load stays ON.
4. Check sensor wire connections. Verify load and neutral wires are secure.

## ORDERING INFORMATION

<b>HBP-111-L7</b>	High/Low-Bay PIR Sensor 120/230 (Single Phase L-N)/277/347 VAC, White, w/Lens (has remote IR capability)
<b>HBP-111-L7-OEM</b>	High/Low-Bay PIR Sensor 120/230 (Single Phase L-N)/277/347 VAC, White, w/Lens, bulk (has remote IR capability)
<b>HBP-111-L7-EM1-OEM</b>	High/Low-Bay PIR Sensor 120/230 (Single Phase L-N)/277/347 VAC, White, w/Lens & Extender, bulk (has remote IR capability)
<b>HBP-111-L7-SM1-OEM</b>	High/Low-Bay PIR Sensor 120/230 (Single Phase L-N)/277/347 VAC, White, w/Lens & Surface Mount, bulk (has remote IR capability)
<b>HBP-112-L7</b>	High/Low-Bay PIR Sensor 120/230 (Single Phase L-N)/277/347 VAC, White, w/Lens (no remote IR capability)
<b>HBP-112-L7-OEM</b>	High/Low-Bay PIR Sensor 120/230 (Single Phase L-N)/277/347 VAC, White, w/Lens, bulk (no remote IR capability)
<b>HBP-112-L7-EM1-OEM</b>	High/Low-Bay PIR Sensor 120/230 (Single Phase L-N)/277/347 VAC, White, w/Lens & Extender, bulk (no remote IR capability)
<b>HBP-112-L7-SM1-OEM</b>	High/Low-Bay PIR Sensor 120/230 (Single Phase L-N)/277/347 VAC, White, w/Lens & Surface Mount, bulk (no remote IR capability)
<b>HBP-L7</b>	High/Low-Bay Lens for HBP-11X Series 8ft-40ft Mounting
<b>HBP-EM1</b>	High/Low-Bay Extender Module for HBP-11X Series
<b>HBP-SM1</b>	HBP Sensor Surface Mount Module

## DESCRIPTION ET FONCTIONNEMENT

Les détecteurs de présence de la série HBP sont conçus pour réguler automatiquement l'éclairage à l'intérieur des entrepôts à grande hauteur. Tous les modèles contiennent un détecteur infrarouge passif (IRP). La zone de portée est déterminée par le module de lentille sélectionné. Les lentilles sont interchangeables entre tous les détecteurs de la série HBP.

### HBP-111

Le HBP-111 peut être commandé à distance à l'aide du FSIR-100 ou des réglages des potentiomètres manuels.

### HBP-112

Le HBP-112 peut être commandé manuellement en réglant les potentiomètres des réglages de temporisation et du niveau de luminosité.

## CARACTÉRISTIQUES

Tension .....	120/230 (monophasé S-N)/277/347 V c.a., 50/60 Hz
Caractéristiques de charge	
à 120 VCA.....	0 - 1 000 VA, 1/4 HP
à 230 VCA.....	0 - 1 000 VA,
à 277 VCA.....	0 - 1 200 VA, 1/4 HP
.....	Tungstène, ballasts, ballast électronique, fluorescente et DEL
à 347 VCA.....	0 - 1 500 VA, 1/4 HP; ballasts et DEL
Niveau de luminosité .....	10,76-3 228 lux (1-300 pieds-bougies) (à 4 000 K)
Réglage par défaut.....	Désactiver
Réglage du délai de temporisation.....	1-30 minutes (à distance)
.....	5-30 minutes (potentiomètre manuel)
Réglage par défaut.....	5 minutes
Sensibilité .....	medium, moyen, maximum
Réglage par défaut.....	maximum

## COUVERTURE DE LA LENTILLE

Les détecteurs de présence HBP-111/112 sont modulaires et constitués de deux parties : un module de détection et une lentille. Lorsqu'ils sont utilisés avec la lentille HBP-L7, les détecteurs sont parfaits pour les hauteurs de montage de 6,1 à 12,2 m (20 à 40 pi). Il existe un accessoire de masquage en option pour les allées. Clipsez-le et tournez-le jusqu'à atteindre la position souhaitée.

La lentille et les détecteurs sont prévus pour une utilisation intérieure et conçus pour des entrepôts. Évitez de placer le détecteur près d'étagères ou d'autres obstacles qui risquent de bloquer son champ de vision.

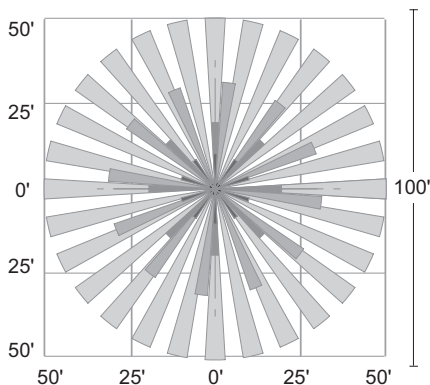
### Détection infrarouge passive dans les applications industrielles

Les applications industrielles peuvent présenter des variations de température ambiante susceptibles d'affecter la détection des détecteurs et les zones de couverture. Des températures élevées dans la zone couverte (au-dessus de 27 ° C) réduisent la zone de détection du capteur. Des températures ambiantes élevées peuvent provoquer de faux déclenchements par le détecteur. Les installateurs doivent faire de leur mieux pour éloigner le détecteur de la source de lumière LED, ce qui contribue également à de faux déclenchements. Envisagez d'ajouter plus de détecteurs si les températures ambiantes devraient être élevées. De plus, une température élevée au niveau du sol peut nécessiter un mouvement plus important pour la détection. Les luminaires avec détecteurs installés doivent être montés loin des bouches d'aération pour atténuer les risques de faux déclenchements. Dans certains cas, les détecteurs montés au-dessus de 40 pieds peuvent ne détecter que de grandes signatures thermiques telles que les chariots élévateurs. Pour plus d'informations, consultez le Guide des meilleures pratiques pour l'entrepôt sur [www.legrand.us](http://www.legrand.us).

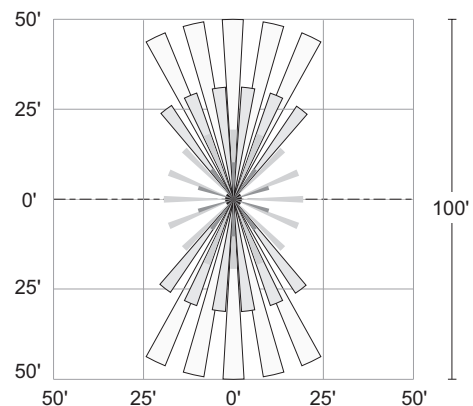
### HBP-L7 : portée à 360°

Le HBP-L7 comporte une lentille qui couvre une zone de 30,5 m (100 pi) de diamètre à une hauteur de 12,2 m (40 pi).

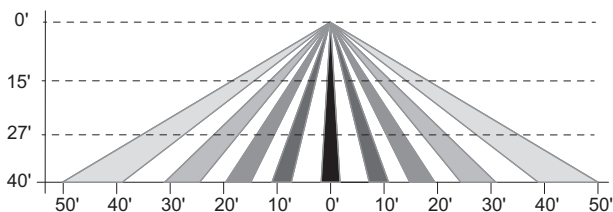
Vue du haut de la portée à 12,2 m (40 pi)



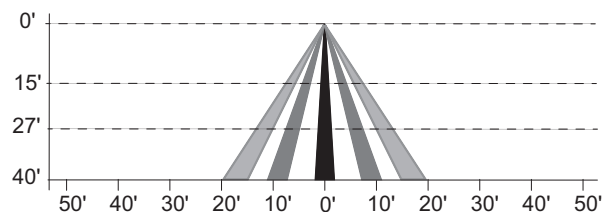
Vue du haut de la portée à 12,2 m (40 pi) avec le masquage



Vue latérale de la portée standard



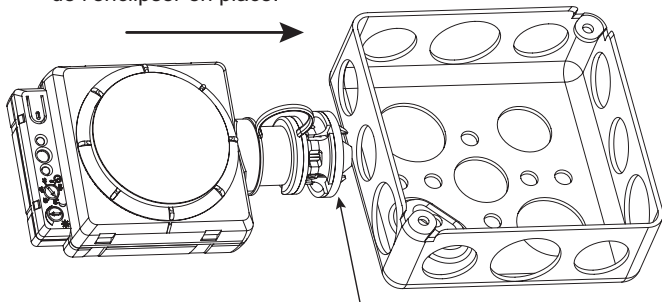
Vue latérale avec le masquage



## OPTIONS DE MONTAGE

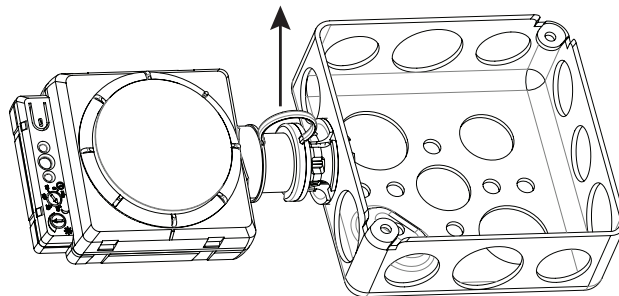
La gamme de détecteurs HBP possède un mamelon du type snap-in ce qui procure un montage rapide et, sécurise bien le détecteur à une boîte de jonction ou luminaire. En outre, les détecteurs peuvent être fixés au fond de l'appareil en utilisant le module de montage en surface optionnel (HBP - SM1). Le module d'extension en option (HBP-EM1) peut être utilisé pour baisser le détecteur de 10,16 cm (4 po) maximum. Le module d'extension offre différentes options de hauteur pour le montage grâce aux entrées défonçables simples. Veuillez vous référer à la notice d'installation du HBP-SM1 et HBP-EM1 pour plus de détails.

- ❶ Pousser le HBP à la boîte de jonction ou luminaire afin de l'enclipser en place.

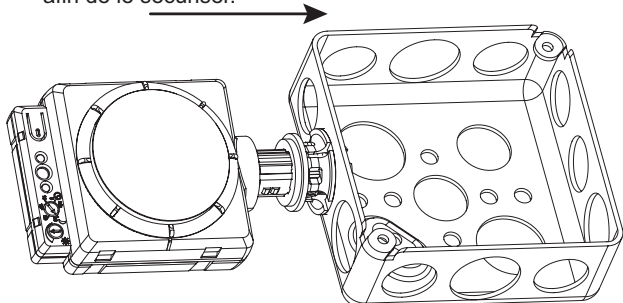


Au besoin les rondelles plates peuvent être retirées afin d'accommoder l'épaisseur du luminaire.

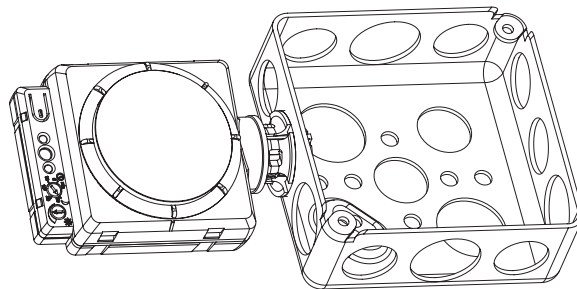
- ❷ Retirer la bague de retient en tirant sur la languette.



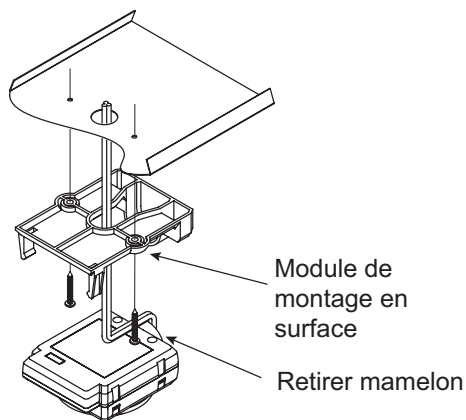
- ❸ Pousser le HBP au luminaire ou boîte de jonction afin de le sécuriser.



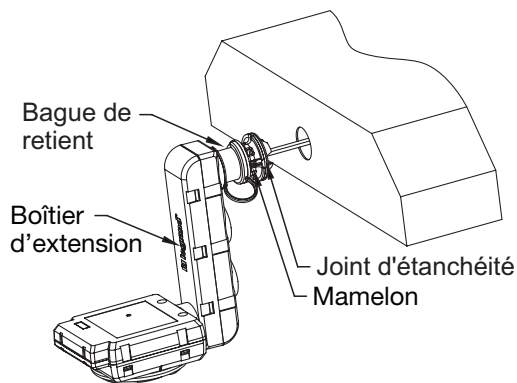
- ❹ HBP sécurisé au luminaire ou boîte de jonction



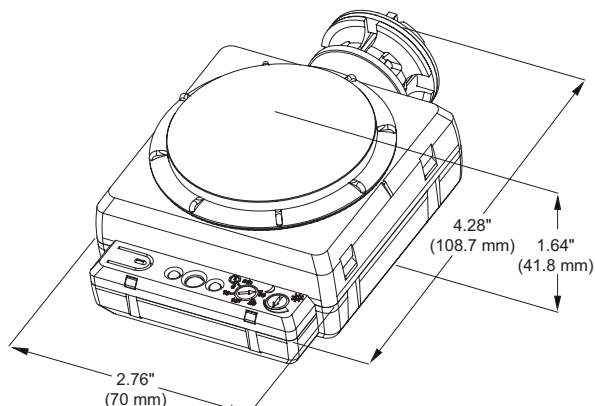
### Utilisation du module de montage en surface HBP-SM1



### Utilisation du module d'extension HBP-EM1



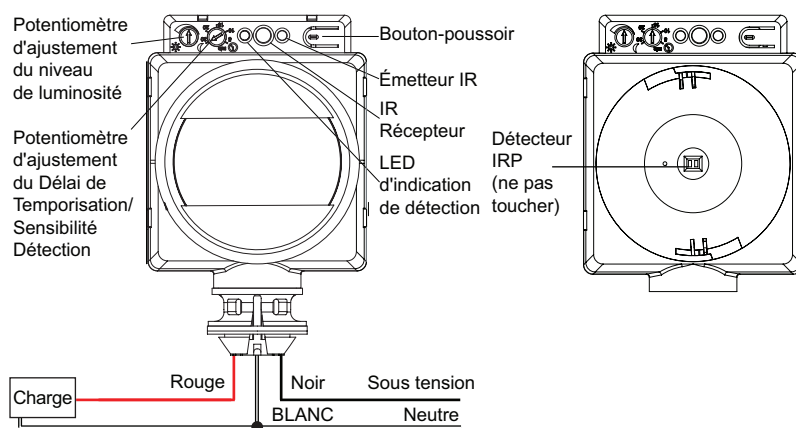
**REMARQUE:** Dimensions  
La longueur est de 125.6mm (4,95 po) avant le clip de retenue est retiré et le mamelon enfichable est effondré.



## INSTALLATION

1. Déterminez l'emplacement de montage approprié aux caractéristiques du détecteur et de la zone de portée. Il est nécessaire de réfléchir soigneusement à l'emplacement du détecteur. Évitez de placer le détecteur près d'un bord de luminaire, d'étagères ou d'autres obstacles qui risquent de bloquer le champ de vision du détecteur. Montez le détecteur sous le niveau du bord du luminaire et loin des lampes fluorescentes afin que la chaleur dégagée par ces lampes ne perturbe pas le fonctionnement du détecteur.
2. Assurez-vous de posséder les accessoires appropriés pour la configuration de montage du détecteur. (Voir Options de montage.)
3. Assemblez les accessoires de montage nécessaires et fixez-les sur le détecteur, tout en vous assurant que les câbles volants provenant du module d'alimentation sont bien accessibles.
4. Raccordez les fils de la charge et ceux de la tension du secteur aux câbles du détecteur comme illustré dans le schéma de câblage correspondant à l'application de l'unité.
  - Ne laissez pas de fils nus visibles.
  - Assurez-vous que tous les raccordements sont bien fixés.
5. Remettez le courant à l'aide du disjoncteur.

## CÂBLAGE



**AVERTISSEMENT : COUPER LE COURANT AU DISJONCTEUR PRINCIPAL AVANT D'INSTALLER LE CÂBLAGE.**

## INFORMATIONS IMPORTANTES CONCERNANT LE DÉMARRAGE

Lors de la première initialisation ou suite à une perte de courant de plus de 5 minutes, une période de réchauffement de 60 secondes est nécessaire. Après l'application du courant le détecteur prendra 60 secondes avant de détecter du mouvement.

- Si le HBP est alimenté et que l'option Fail-On est activée, la charge s'allume immédiatement et elle le restera durant la période d'échauffement. Si le détecteur ne perçoit pas de mouvement après la période d'échauffement, la charge s'éteindra après que le détecteur est terminé son délai programmé.
- Si le HBP est alimenté et que l'option Fail-On est désactivée, la charge restera éteinte durant la période d'échauffement. Si après la période d'échauffement le détecteur perçoit du mouvement la charge s'allumera.

### Réglage du délai de temporisation

#### Utilisant Avec le Potentiomètre (HBP-111/112)

Utilisez un tournevis ou objet mince pour ajuster le délai de temporisation désiré. Déplacer le potentiomètre de façon à ce qu'il "clique" dans la position (5, 10, 15, 20 ou 30 minutes)

#### Utilisant Avec la Télécommande FSIR – HBP-111 Seulement

1. Pointez la télécommande vers le détecteur.
2. Sélectionnez **New Settings** et **Time Delay**.
3. Choisissez une durée entre 1 et 30 min (intervalles d'1 minute).
4. Sélectionnez **Send**.

**REMARQUE:** Tous réglages effectués effacent les réglages précédents, qu'ils aient été faits manuellement sur le détecteur ou à l'aide de la télécommande FSIR-100.

### Sensibilité de Détection de Mouvement

#### Utilisant Avec le Potentiomètre (HBP-111/112)

1. Entrez en Mode Test en tenant enfoncé le bouton pendant approximativement 3 secondes. Durant la période de test, le potentiomètre du délai devient l'ajustement de la sensibilité.
2. Utilisez un tournevis afin d'ajuster le délai désiré en ajustant le potentiomètre au point d'arrêt. Les changements de sensibilité se font ainsi :
  - Sensibilité faible – position 5min ou 10 min
  - Sensibilité moyenne – position 15min ou 20min
  - Sensibilité maximum – position 30min
3. Pour quitter le mode test, appuyez pendant approximativement 3 secondes sur le bouton.
  - **Pour le HBP-111** – Si la programmation du délai a été ajustée manuellement en utilisant le potentiomètre, il faudra repositionner le potentiomètre dans sa position originale (délai choisi originalement) sinon lorsque le détecteur sortira du mode test il prendra la position du potentiomètre comme son nouveau délai. Cependant si le délai avait été ajusté avec le FSIR-100 alors le délai originale demeurera inchangé et ignorera la position du potentiomètre positionné pour l'ajustement de la sensibilité.
  - **Pour le HBP-112** – Vous devez replacer le potentiomètre dans sa position originale sinon lorsque le détecteur sortira du mode test il prendra la position du potentiomètre de l'ajustement de la sensibilité comme son nouveau délai

**REMARQUE:** Lorsque le détecteur quitte le mode test, ajuster le potentiomètre du délai ne changera plus la sensibilité



## Utilisant la télécommande FSIR – HBP-111 seulement

1. Pointez la télécommande vers le détecteur
2. Sélectionnez **New Settings** et **Sensitivity**.
3. Choisissez à partir des options "Min", "Med", ou "Max".
4. Sélectionnez **Send**.

## Maintien de l'état arrêt avec la fonctionnalité du niveau de luminosité

La fonctionnalité du niveau de luminosité maintient les lumières éteintes, même en cas de détection de présence, lorsqu'il y a déjà une lumière ambiante adéquate. Elle ne coupe pas les lumières si elles sont allumées. Si le niveau de luminosité ambiante est inférieur au niveau de luminosité préréglé en usine ou au point de consigne réglé manuellement, les charges s'activeront lors de la détection d'une présence. Le réglage par défaut est le maximum, ce qui signifie que même la lumière ambiante la plus vive ne maintiendra pas les lumières éteintes. Lorsque le niveau de luminosité est réglé, il est enregistré dans la mémoire afin que le réglage ne soit pas perdu en cas de coupure de courant.

- Évitez de monter le dispositif près de luminaires qui contribuent à la mesure de la cellule photoélectrique.
- Effectuez les réglages durant la journée lorsque la lumière ambiante est au niveau souhaité.

## Réglage du maintien de l'état arrêt avec la fonctionnalité de niveau de luminosité

Si vous le souhaitez, réglez le niveau de luminosité en suivant les étapes ci-dessous. Les valeurs de luminosité présentées sont approximatives et se rapportent à 4 000 K CCT. Les variations dans la température de couleur peuvent affecter les niveaux réels captés par le détecteur. Il est recommandé que la fonction de maintien d'arrêt avec la fonctionnalité de niveau de luminosité soit réglée le matin pour de meilleurs résultats.

### Potentiomètre

1. Pour configurer la cellule photoélectrique, utilisez un tournevis ou votre ongle afin de régler le potentiomètre sur le boîtier du détecteur.
2. Utilisez la roue analogique avec les marques de graduation (10,76-3 228 lux/1-300 pieds-bougies)

### Télécommande FSIR

1. Dirigez la télécommande vers la lentille IR du détecteur.
2. Sélectionnez **Adjust Photocell Setting** (ajuster le réglage de la cellule photoélectrique).
3. Choisissez une valeur entre 10,76 et 3 228 lux (1 et 300 pieds-bougies) (intervalles de 10,76 lux (1 pied-bougie)).
4. Sélectionnez **Send**.

**REMARQUE:** Tous réglages effectués effacent les réglages précédents, qu'ils aient été faits manuellement sur le détecteur ou à l'aide de la télécommande FSIR-100.

## Fonctions du bouton-poussoir

Les fonctions suivantes sont disponibles en appuyant sur le bouton-poussoir selon les instructions ci-dessous.

**Mode manuel:** pour que l'unité entre ou sorte du mode manuel, appuyez rapidement sur le bouton-poussoir pour activer et désactiver la charge. Lorsque la charge est activée manuellement, le détecteur reste dans cet état tant qu'il détecte des mouvements et que le délai de temporisation ne s'est pas écoulé. Si la charge est coupée manuellement, le détecteur maintient la charge coupée même s'il détecte des mouvements, puis pendant une période supplémentaire de 5 minutes d'absence s'il ne détecte pas de mouvement. La prochaine fois que le détecteur détectera une présence et que l'éclairage ambiant sera inférieur au niveau préréglé, le détecteur allumera automatiquement la charge.

**Mode test:** pour que l'unité entre en mode test de 10 minutes, appuyez sur le bouton-poussoir pendant 3 secondes environ, ou activez le mode test à l'aide du FSIR-100 pour le HBP-111. La DEL clignote une fois pour confirmer que le dispositif est en mode test. Pour sortir du mode test, maintenez enfoncé le bouton-poussoir pendant 3 secondes. Testez le dispositif en marchant devant afin de vous assurer qu'il détecte correctement les mouvements.

**Mode service:** pour que l'unité entre ou sorte du mode service, maintenez enfoncé le bouton-poussoir pendant environ 6 secondes. La DEL clignote deux fois pour confirmer que vous entrez ou sortez du mode entretien. En mode service, la DEL restera allumée et l'état de la charge ne pourra être changé que par le bouton au détecteur ou la télécommande.

**Mode activation en cas de défaillance:** maintenez enfoncé le bouton-poussoir pendant environ 9 secondes pour choisir l'activation en cas de défaillance. La DEL clignote trois fois pour confirmer que l'activation en cas de défaillance est sélectionnée. Dans ce mode, le détecteur active les charges connectées lors du rétablissement de l'alimentation. Dans le cas d'une défaillance de détection, ce mode garantit que les charges connectées sont toujours alimentées.

**Mode coupure en cas de défaillance:** maintenez enfoncé le bouton-poussoir pendant environ 12 secondes pour choisir la coupure en cas de défaillance. La DEL clignote quatre fois pour confirmer que la coupure en cas de défaillance est sélectionnée. Dans ce mode, le détecteur maintient les charges connectées coupées lors du rétablissement de l'alimentation. Le détecteur est réglé sur ce mode par défaut.

**Réglages par défaut:** pour rétablir manuellement les paramètres par défaut sur l'unité, maintenez enfoncé le bouton-poussoir pendant 15 secondes environ. Tous les réglages reviennent alors aux paramètres par défaut à l'exception de la temporisation et du niveau de luminosité, qui sont paramétrés en fonction des réglages actuels des potentiomètres.

Lorsque vous utilisez la télécommande FSIR-100 pour revenir aux réglages par défaut (HBP-111 uniquement), tous les réglages reviennent aux paramètres par défaut initiaux quelles que soient les positions actuelles des potentiomètres.

La DEL reste allumée en continu pour confirmer le rétablissement des réglages par défaut.

**Annuler:** pour éviter tout changement, maintenez enfoncé le bouton-poussoir pendant 18 secondes environ. Par exemple, si le rétablissement des réglages par défaut (ou tout autre réglage) n'est pas souhaité, maintenez enfoncé le bouton jusqu'à ce que vous

atteignez 18 secondes ou plus. La DEL s'éteint au bout de 18 secondes pour indiquer qu'aucun changement n'a été fait.

### Autres fonctionnalités disponibles sur le HBP-111

Utilisez la télécommande FSIR-100 pour désactiver ou activer les modes suivants:

**Mode rodage:** Lorsque le mode rodage est sélectionné, la sortie s'active pendant 100 heures et ne se coupe pas avant la fin de la période de 100 heures. Il est cependant possible de couper la charge et de sortir du mode rodage à l'aide du bouton-poussoir ou de la télécommande. Le mode est désactivé par défaut.

**Mode passage:** Dans ce mode, la charge se coupe au bout d'une période de 3 minutes après la première détection d'une présence si aucune présence n'est détectée au bout des 30 premières secondes. Si du mouvement est encore détecté au-delà des 30 premières secondes, la temporisation paramétrée est activée. Le mode est désactivé par défaut.

**Alarme visuelle:** Lorsqu'il ne reste qu'une minute de temporisation, la charge connectée au relais se coupe pendant une seconde. L'alarme est désactivée par défaut.

**Mode de service:** Dans ce mode, lorsque le mode de service est désactivé, la DEL est toujours allumée; les fonctionnalités de détection de mouvement et de niveau de luminosité sont désactivées et seul le bouton-poussoir ou la télécommande peut activer ou couper la charge. Le mode de présence est activé par défaut.

## DÉPANNAGE

Pour vérifier le bon fonctionnement du détecteur, consultez les parties relatives au démarrage et au mode test.

### La DEL rouge sur le module détecteur ne clignote pas :

Vérifiez que les raccordements des fils du détecteur sont corrects et bien fixés.

### La DEL rouge clignote mais les lumières ne s'ALLUMENT pas :

1. Assurez-vous que le détecteur a bien été alimenté en courant pendant au moins une minute continue, puis
  - a. Réglez le point de consigne du niveau de luminosité sur le maximum et laissez le détecteur atteindre la fin du délai de temporisation.
  - b. Mettez le détecteur sous tension. La charge doit s'ACTIVER. Si le détecteur n'active pas, poursuivez avec l'étape 2.
2. Vérifiez le raccordement de l'alimentation électrique du luminaire.
3. Vérifiez tous les branchements des fils du détecteur. Vérifiez que le fil de charge est fermement fixé.

### La lumière ne s'éteint pas :

1. Si vous n'observez aucun mouvement de personnes ou équipements dans le champ de vision du détecteur, mais que la DEL rouge clignote, cherchez une source proche d'énergie infrarouge (chaleur) en mouvement, telle que de l'air turbulent projeté par un appareil de chauffage ou de refroidissement, ou d'autres sources comme la chaleur provenant des lampes fluorescentes du luminaire.
  - Montez le détecteur de sorte que la lentille se trouve sous le niveau du bord du luminaire et ne voit pas directement les lampes.
  - Détournez l'arrivée d'air loin du détecteur ou déplacez le détecteur.
2. Vérifiez le délai de temporisation sélectionné avec le réglage du potentiomètre. Le délai de temporisation peut être compris entre 5 et 30 minutes. Assurez-vous que la temporisation définie répond à vos attentes et qu'aucun mouvement n'est effectué dans le champ du détecteur au cours de ce délai.
3. Vérifiez les réglages du potentiomètre de niveau de luminosité et de l'IRP. Si toutes les fonctions de régulation sont neutralisées, la charge reste ACTIVE.
4. Vérifiez les raccordements des fils du détecteur. Vérifiez que les fils neutre et de charge sont bien fixés.

## INFORMATIONS CONCERNANT LES COMMANDES

<b>HBP-111-L7</b>	Détecteur IRP grande/petite hauteur 120/230 (monophasé S-N)/277/347 V c.a., blanc, avec lentille (Inclus la possibilité d'ajustement par télécommande)
<b>HBP-111-L7-OEM</b>	Détecteur IRP grande/petite hauteur 120/230 (monophasé S-N)/277/347 V c.a., blanc, avec lentille, vrac (Inclus la possibilité d'ajustement par télécommande)
<b>HBP-111-L7-EM1-OEM</b>	Détecteur IRP grande/petite hauteur 120/230 (monophasé S-N)/277/347 V c.a., blanc, avec lentille et vrac ext. (Inclus la possibilité d'ajustement par télécommande)
<b>HBP-111-L7-SM1-OEM</b>	Détecteur IRP grande/petite hauteur 120/230 (monophasé S-N)/277/347 V c.a., blanc, avec lentille et montage en surface. (Inclus la possibilité d'ajustement par télécommande)
<b>HBP-112-L7</b>	Détecteur IRP grande/petite hauteur 120/230 (monophasé S-N)/277/347 V c.a., blanc, avec lentille (pas de possibilité d'ajustement par télécommande)
<b>HBP-112-L7-OEM</b>	Détecteur IRP grande/petite hauteur 120/230 (monophasé S-N)/277/347 V c.a., blanc, avec lentille, vrac (pas de possibilité d'ajustement par télécommande)
<b>HBP-112-L7-EM1-OEM</b>	Détecteur IRP grande/petite hauteur 120/230 (monophasé S-N)/277/347 V c.a., blanc, avec lentille et vrac ext. (pas de possibilité d'ajustement par télécommande)
<b>HBP-112-L7-SM1-OEM</b>	Détecteur IRP grande/petite hauteur 120/230 (monophasé S-N)/277/347 V c.a., blanc, avec lentille et montage en surface. (pas de possibilité d'ajustement par télécommande)
<b>HBP-L7</b>	Lentille grande/petite hauteur pour la série HBP-11X, montage 2,4-12,2 m (8-40 pi)
<b>HBP-EM1</b>	Module d'extension grande/petite hauteur pour la série HBP-11X
<b>HBP-SM1</b>	Module de montage sur surface de petite/grande hauteur

## DESCRIPCIÓN Y FUNCIONAMIENTO

Los sensores de ocupación de la serie HBP están diseñados para el control automático de luz en aplicaciones de montaje alto de almacenes. Todos los modelos contienen un sensor infrarrojo pasivo (PIR). El área de cobertura queda determinada por el módulo de la lente seleccionado. Las lentes son intercambiables con cualquier sensor de la serie HBP.

### HBP-111

El modelo HBP-111 puede ser autorizado de manera remota usando el FSIR-100 o con los ajustes del potenciómetro manual.

### HBP-112

El modelo HBP-112 puede ser autorizado manualmente ajustando los potenciómetros designados para los ajustes del tiempo de demora y de nivel de luz.

## ESPECIFICACIONES

Voltaje.....	120/230 (L-N Monofásica)/277/347 V CA, 50/60 Hz
Requerimientos de carga	
@120 VCA .....	0 - 1000 VA, 1/4 HP
@230 VCA .....	0 - 1000 VA
@277 VCA .....	0 - 1200 VA, 1/4 HP
	Tungsteno, Balastos, Balasto electrónico, Fluorescente y LED
@347 VCA .....	0 - 1500 VA, 1/4 HP; Balastos y LED
Nivel de luz.....	1-300 fc (@4000K)
Ajuste de fábrica .....	Inhabilitar
Ajuste del tiempo de demora.....	1-30 minutos (Remoto)
.....	5-30 minutos (Potenciómetro manual)
Ajuste de fábrica .....	15 minutos
Sensibilidad .....	mínimo, medio, máximo
Ajuste de fábrica .....	máximo

## COBERTURA DE LALENTE

Los sensores de ocupación HBP-111/112 son modulares y consisten de dos partes, un módulo de sensor y una lente. Cuando se utilizan con la lente HBP-L7, los sensores son óptimos para alturas de montaje de 20' a 40'. Hay un accesorio de enmascaramiento opcional para aplicaciones de pasillos. Encástrelo y rótelolo en la posición deseada.

La lente y los sensores son calificados para interior y son ideales para almacenes. Evite colocar el sensor en lugares donde la estantería u otras obstrucciones puedan bloquear la línea de visión del sensor.

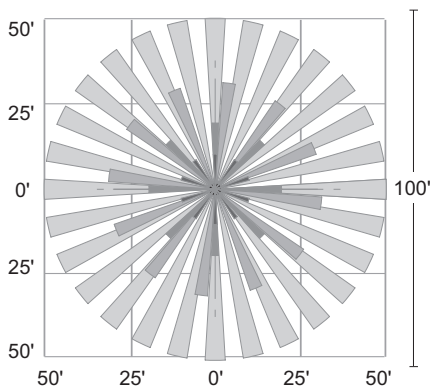
### Detección infrarroja pasiva en aplicaciones industriales

Las aplicaciones industriales pueden tener variaciones de temperatura ambiente que pueden afectar la detección del sensor y las áreas de cobertura. Las altas temperaturas en el área cubierta (por encima de 80° F (27° C) ) reducen la zona de detección del sensor. Las altas temperaturas ambientales pueden provocar falsos disparos por parte del sensor. Los instaladores deben hacer su mejor esfuerzo para alejar el sensor de la fuente de luz LED, lo que también contribuye a falsos disparos. Considere agregar más sensores si se espera que la temperatura ambiente sea alta. Además, la temperatura alta del piso puede requerir un movimiento más grande para su detección. Las luminarias con sensores instalados, deben montarse lejos de las salidas de aire para mitigar los riesgos de falsos disparos. En algunos casos, los sensores montados a más de 40' (12 m) podrían solo detectar firmas de calor grandes, como carretillas elevadoras. Consulte la Guía de mejores prácticas para Almacén en [www.legrand.us](http://www.legrand.us) para obtener más información.

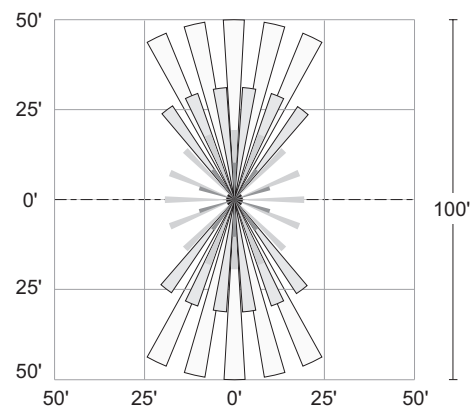
### HBP-L7: Cobertura de 360°

El modelo HBP-L7 tiene una lente que cubre un área de diámetro de 100' a una altura de 40'.

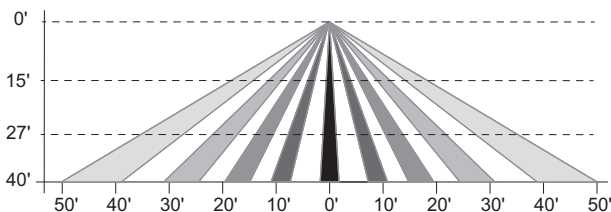
Vista superior de cobertura a 40'



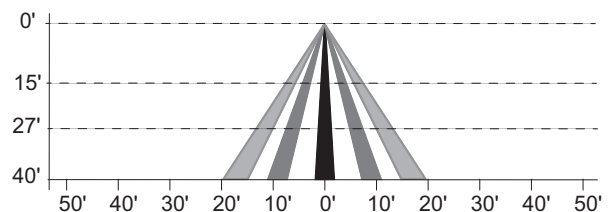
Vista superior con cobertura a 40' con enmascaramiento



Vista lateral de cobertura estándar



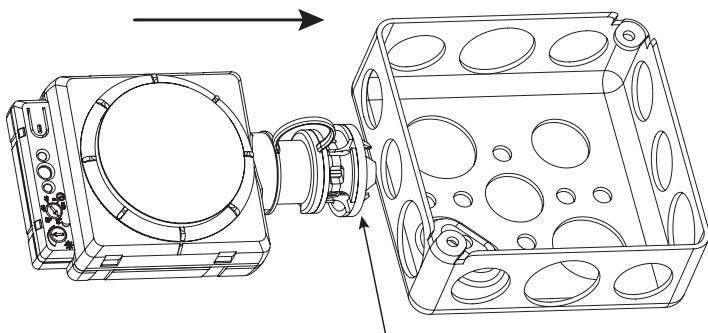
Vista lateral con enmascaramiento



## OPCIONES DE MONTAJE

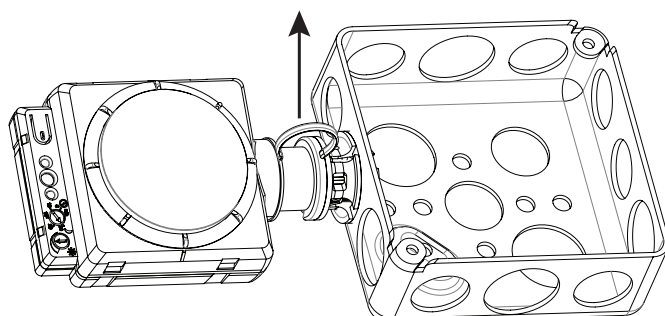
Los sensores de la serie HBP pueden conectarse a una fixtura o caja de conexiones utilizando el empalme adjunto, o a la parte inferior de la fixtura usando el módulo de montaje de superficie opcional (HBP - SM1). El módulo de extensión (HBP-EM1) se puede utilizar para bajar el sensor hasta 4 pulgadas. El módulo de extensión provee varias opciones de altura de montaje mediante el uso de troqueles simples. Remítase a las instrucciones de instalación del HBP-SM1 y del HBP-EM1 para obtener más detalles.

**1** Inserte la unidad HBP, asegurandola en su lugar.

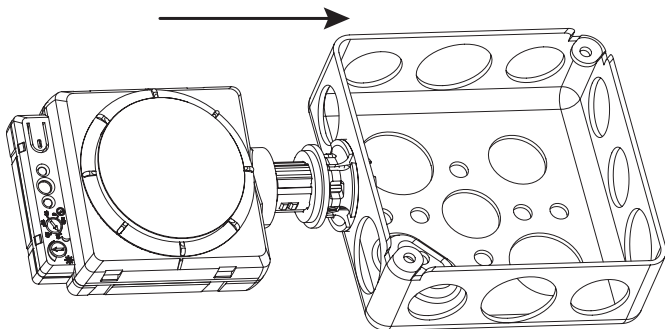


Las arandelas se pueden quitar según sea necesario para dar cabida al grosor de la pared de la fixtura.

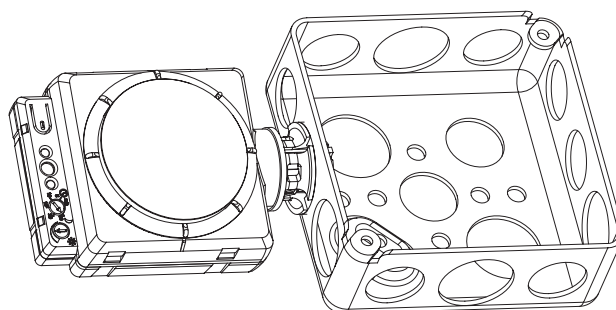
**2** Retire el clip de sujeción.



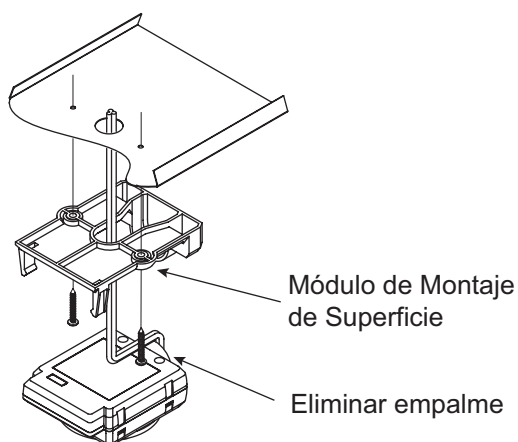
**3** Empuje la unidad para asegurarla.



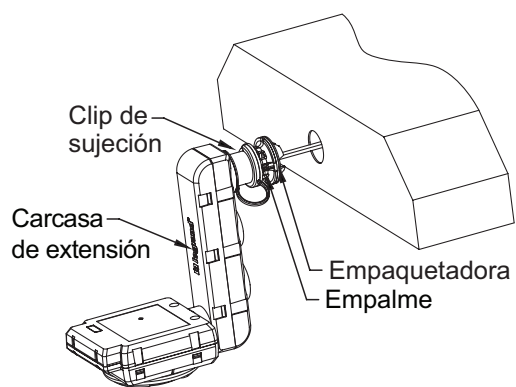
**4** Unidad HBP asegurada

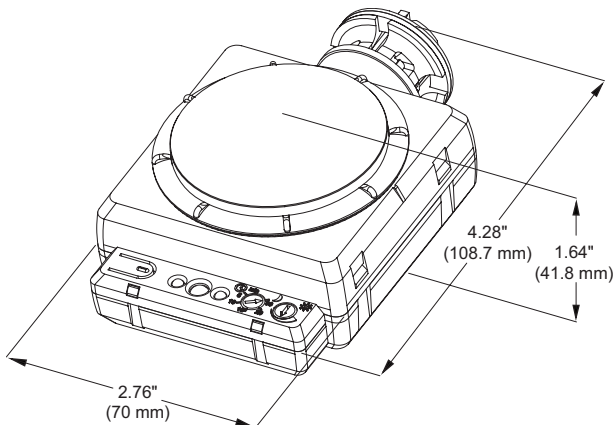


### Cómo utilizar el módulo de montaje de superficie HBP-SM1



### Cómo utilizar el módulo de extensión HBP-EM1

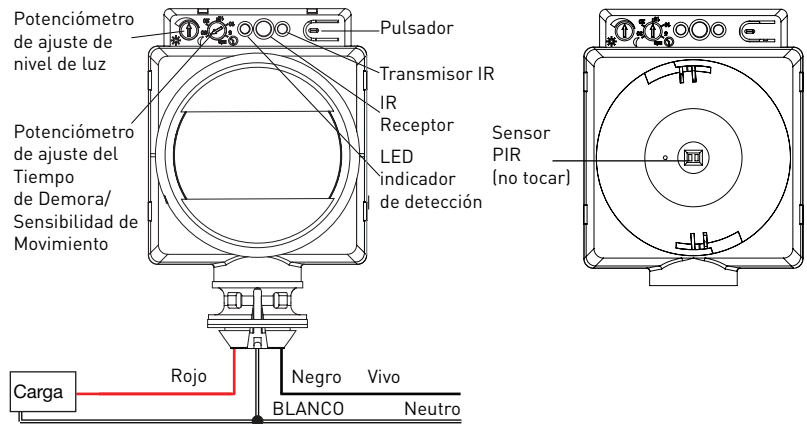




#### Dimensiones

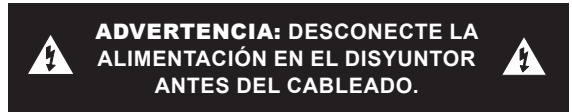
**NOTA:** La longitud es 4,95 " ( 125.6m ) antes de la pinza de sujeción se retira y el pezón complemento está contraído.

## CABLEADO



## INSTALACIÓN

- Determine la ubicación de montaje adecuada según las características del sensor y el área de cobertura. Debe prestarse especial atención a la colocación del sensor. Evite colocar el sensor en lugares donde el borde del aplique, la estantería u otras obstrucciones puedan bloquear la línea de visión del sensor. Monte el sensor debajo del borde del aplique y lejos de las lámparas fluorescentes, de manera que el calor de las lámparas no afecte al sensor.
- Asegúrese de contar con los accesorios adecuados para la configuración del montaje del sensor. (Consulte Opciones de montaje).
- Arme todos los accesorios de montaje necesarios y conéctelos al sensor, asegurándose de que se pueda acceder a los conductores volantes del módulo de alimentación.
- Conecte los cables del voltaje de línea y de carga a los conectores del sensor como se muestra en el Diagrama de cableado de la aplicación de la unidad.
  - No permita que quede exhibido el cable pelado.
  - Asegúrese de que todas las conexiones estén seguras.
- Restablezca la alimentación desde el disyuntor.



## INFORMACIÓN IMPORTANTE PARA EL ARRANQUE

Durante la instalación inicial y luego de una falla de alimentación de 5 minutos o más, se produce un periodo de arranque de 60 segundos. Después de conectar la alimentación, hay un periodo de arranque de 60 segundos para que el sensor comience a detectar movimiento.

- Si el sensor arranca con el Modo de **Falla Encendida**, la carga se enciende inmediatamente. La carga se mantiene encendida durante el arranque. Si no se detecta movimiento cuando termine el arranque, espere hasta que el tiempo de demora termine antes de apagar la carga.
- Si el sensor arranca con el Modo de **Falla Apagada**, la carga permanece apagada durante el arranque hasta la siguiente detección de movimiento. Cuando el arranque se termina, la carga se prende cuando el movimiento sea detectado.

### Ajuste del tiempo de demora

#### Usando el potenciómetro – HBP-11/112

Use un desatornillador o la uña para ajustar el potenciómetro en la carcasa del sensor al tiempo de demora deseado. Mueva el potenciómetro hasta que "suene" en el ajuste (5, 10, 15, 20 o 30 minutos).

#### Usando el Remoto FSIR – Solo HBP-111

- Apunte el control remoto hacia el sensor.
- Seleccione **New Settings** y **Time Delay**.
- Elija desde un rango de 1 a 30 minutos con incrementos de 1 minuto.
- Seleccione **Send**.

**NOTA:** Cualquier ajuste que se haga sobrepasará cualquier ajuste previo, ya sea hecho manualmente en el sensor o mediante la herramienta de comisión FSIR-100.

## Sensibilidad de Detección de Movimiento

### Usando el potenciómetro – HBP-111/112

1. Entrar a Modo de Prueba manteniendo el botón presionado por 3 segundos aproximadamente. Mientras este en el Modo de Prueba, el Potenciómetro de Tiempo de demora funciona como un ajuste de sensibilidad.
2. Use un destornillador o la uña para ajustar el potenciómetro del tiempo de retardo. Cambie la sensibilidad de la siguiente manera:
  - Sensibilidad Baja. Posición de 5min o 10 min
  - Sensibilidad Media. Posición de 15min o 20 min
  - Sensibilidad Máxima. Posición de 30 min
3. Salir de Modo de Prueba manteniendo presionado el botón 3 segundos aproximadamente.
  - **Para el HBP-111** – Si el tiempo de demora fue originalmente puesto manual, usando el potenciómetro, entonces deberá mover el potenciómetro otra vez a su posición original o de otra manera el tiempo de demora cambiará a la actual posición. Pero si el tiempo de demora fue originalmente puesto usando el FSIR-100, entonces el tiempo de demora regresa al valor puesto e ignorará la posición del potenciómetro.
  - **Para el HBP-112** – Usted debe mover el potenciómetro a su posición original o de otra manera el tiempo de demora cambiará a la actual posición.

**NOTA:** Cuando salga del Modo de Prueba, ajustes al potenciómetro no van a cambiar la sensibilidad.

### Usando el Remoto FSIR – Solo HBP-111

1. Apunte el control remoto hacia el sensor.
2. Seleccione **New Settings** y **Sensitivity**.
3. Seleccione la opción de “Min”, “Med”, o “Max”.
4. Envíe **Send**.

**NOTA:** Cualquier ajuste que se haga sobrepasará cualquier ajuste previo, ya sea hecho manualmente en el sensor o mediante la herramienta de comisión FSIR-100.

## Suspensión de nivel de luz

La característica de nivel de luz mantiene la luz apagada durante la ocupación inicial si existe luz ambiente adecuada. No apagará las luces si están encendidas. Si el nivel de luz ambiente es inferior al nivel de luz predeterminado de fábrica o del punto de ajuste manualmente ajustado, las cargas se encenderán una vez que se detecte ocupación. La configuración predeterminada está ajustada al máximo, lo que significa que aun con la luz ambiente más clara no se suspenderán las luces. Cuando se ajusta el nivel de luz, se guarda en la memoria para que en el caso de que haya fallas de alimentación no se pierda el ajuste.

- Evite el montaje en locaciones donde las fijaduras adyacentes contribuyan a la medida de fotocelda.
- Realice los ajustes durante la luz del día cuando la luz ambiente esté en el nivel deseado.

## Ajustes de suspensión de nivel de luz

Si lo desea, ajuste el nivel de luz siguiendo los pasos que se muestran a continuación. Los valores de nivel de luz mencionados son aproximados y hacen referencia a 4000 K CCT. Las variaciones en la temperatura de color pueden afectar los niveles actuales que ve el sensor. Se recomienda que la suspensión del nivel de luz se configure a la mañana para obtener mejores resultados.

### Potenciómetro

1. Utilice un destornillador o la uña para ajustar el potenciómetro en la carcasa del sensor para configurar el valor deseado de la fotocelda.
2. Utilice una manivela analógica marcada (1-300 fc).

### Remoto FSIR

1. Apunte el remoto en la lente IR en el sensor.
2. Seleccione **Adjust Photocell Setting**.
3. Elija desde un rango de 1 a 300 fc con incrementos de 1 fc.
4. Envíe **Send**.

**NOTA:** Cualquier ajuste que se haga sobrepasará cualquier ajuste previo, ya sea hecho manualmente en el sensor o mediante la herramienta de comisión FSIR-100.

## Funciones del pulsador

Las siguientes funciones están disponibles presionando el pulsador de acuerdo con las instrucciones indicadas a continuación.

**Modo manual:** Para poner o quitar la unidad en el modo manual, presione rápidamente el pulsador para activar o desactivar la carga. Cuando la carga se enciende manualmente, el sensor permanecerá en ese estado siempre y cuando se detecte movimiento y el tiempo de demora no haya expirado. Si la carga se apaga manualmente, el sensor mantiene la carga apagada durante la detección de movimiento y, luego, durante otros 5 minutos adicionales si no se detecta movimiento. La próxima vez que el sensor detecte ocupación y la luz ambiente esté por debajo del nivel programado, el sensor encenderá la carga automáticamente.

**Modo de prueba:** Para poner la unidad en modo de prueba de 10 minutos, presione el pulsador durante unos 3 segundos para ingresar al modo de prueba, o habilitar el modo de prueba con el FSIR-100 para el modelo HBP-111. El LED destellará una vez para confirmar que está en modo de prueba. Para salir del modo de prueba, mantenga el pulsador presionado durante 3 segundos. Haga una prueba de recorrido con la unidad para asegurarse de que la detección sea adecuada.

**Modo de servicio:** Para poner la unidad dentro o fuera del modo de servicio, mantenga el pulsador presionado durante unos 6 segundos. El LED destellará dos veces para confirmar que está o que salió del modo de servicio. En el Modo de Servicio, el LED siempre estará ENCENDIDO y el estado de la carga solo puede ser cambiado presionando el botón o por el remoto.

**Modo de falla encendida de fallos:** Al mantener el pulsador presionado durante unos 9 segundos se activará el modo de falla encendida. El LED destellará tres veces para confirmar que el modo a prueba de fallos está activado. En este modo, el sensor mantendrá encendidas las cargas conectadas sobre la restauración de energía. En caso de que haya una falla en el sensor, este modo asegurará que la energía aún está disponible para las cargas conectadas.

**Modo de falla apagada:** Al mantener el pulsador presionado durante unos 12 segundos se activará el modo de falla apagada. El LED destellará cuatro veces para confirmar que el modo de falla apagada está activado. En este modo, el sensor mantendrá apagadas las cargas conectadas sobre la restauración de energía. El sensor está configurado en este modo de manera predeterminada.

**Ajustes de fábrica:** Para regresar la unidad a los valores de fábrica manualmente, mantenga el pulsador presionado durante 15 segundos. Esto regresará todos los ajustes a los valores de fábrica con excepción del tiempo de demora y el nivel de luz, los cuales se configurarán con los ajustes de los potenciómetros actuales.

Cuando se utiliza el remoto FSIR-100 para regresar al valor de fábrica (modelo HBP-111 únicamente), todos los ajustes regresarán a los valores originales de fábrica sin importar las posiciones actuales de los potenciómetros.

El LED permanecerá encendido en estado fijo para confirmar que ha vuelto al valor de fábrica.

**Cancelar:** Para evitar que se produzcan cambios, mantenga presionado el pulsador durante unos 18 segundos. Por ejemplo, si no desea regresar a los valores de fábrica (o cualquier otra configuración), mantenga presionado hasta llegar a los 18 segundos o más. El LED se apagará después de 18 segundos para indicar que no se realizaron cambios.

### Otras características disponibles en el modelo HPB-111

Utilice el remoto FSIR-100 para deshabilitar o habilitar los siguientes modos:

**Modo de quemado de lámparas:** Cuando se presiona el modo de prueba de funcionamiento, la salida se encenderá durante 100 horas y no se apagará hasta que se alcancen las 100 horas. Pero el pulsador o el control remoto pueden apagar la carga y la unidad saldrá del modo de prueba de funcionamiento. El ajuste de fábrica es deshabilitado.

**Walk-Through Mode (Modo de luz breve):** En este modo, la carga se apagará después de un período de 3 minutos siguiendo un evento de ocupación inicial si no hay detección después de los primeros 30 segundos. Si el movimiento continúa por más de 30 segundos, se aplica el tiempo de demora establecido. El ajuste de fábrica es deshabilitado.

**Alerta visual:** Cuando solamente queda un minuto de tiempo de demora, la carga conectada al relé se apaga por un segundo. El ajuste de fábrica es deshabilitado.

**Modo de servicio:** En este modo, cuando se deshabilita el modo de service, el LED permanecerá siempre encendido, tanto la funcionalidad de detección de movimiento como de nivel de luz están deshabilitadas y solo el pulsador o el remoto puede activar y desactivar la carga. El ajuste de fábrica para el modo de ocupación es habilitado.

---

## SOLUCIÓN DE PROBLEMAS

---

Para confirmar el funcionamiento correcto, revise la información de arranque y la información del Modo de prueba.

### El LED rojo del módulo del sensor no parpadea:

Verifique que las conexiones de los cables del sensor sean correctas y asegúrese de que estén ajustadas de manera segura.

### El LED rojo parpadea, pero las luces no se encienden:

1. Asegúrese de que la alimentación al sensor sea continua durante al menos 60 segundos, y, luego,
  - a. Establezca el punto de ajuste de luz del día al máximo y permita que el sensor exceda el tiempo de demora
  - b. Conecte la alimentación al sensor. La carga deberá encenderse. Si el sensor falla al encender, continúe con el paso 2.
2. Verifique las conexiones de alimentación a la fijatura de iluminación.
3. Controle todas las conexiones de cables. Verifique que el cable de la carga esté ajustado de forma segura.

### Las luces no se apagan:

1. Si no existe movimiento de personas o equipos en la vista del sensor, pero el LED rojo parpadea, busque una fuente cercana de energía infrarroja (calor) en movimiento, como turbulencia de aire de un suministro de frío o calor, u otras fuentes como el calor de las lámparas fluorescentes de la fijatura.
  - Monte el sensor de manera que la lente quede debajo del borde de la fijatura y no apuntando directamente a las lámparas.
  - Desvíe el suministro de aire lejos del sensor o mueva el sensor.
2. Verifique el tiempo de demora en los ajustes de los potenciómetros. El tiempo de demora se puede configurar de 5 a 30 minutos. Asegúrese de que el tiempo de demora esté configurado en la demora deseada y que no haya movimiento dentro de la visión del sensor durante ese período de tiempo.
3. Verifique los ajustes del PIR y de los potenciómetros de nivel de luz. Si se anulan todas las funciones de control, la carga permanece encendida.
4. Verifique las conexiones de los cables del sensor. Verifique que los cables de carga y neutro estén seguros.

## INFORMACIÓN PARA HACER PEDIDOS

<b>HBP-111-L7</b>	Sensor PIR de Montaje Alto/Bajo 120/230 (Monofásico L-N)/277/347 VAC, Blanco, con lente (tiene capacidad para Remoto IR)
<b>HBP-111-L7-OEM</b>	Sensor PIR de Montaje Alto/Bajo 120/230 (Monofásico L-N)/277/347 VAC, Blanco, con lente, a granel (tiene capacidad para Remoto IR)
<b>HBP-111-L7-EM1-OEM</b>	Sensor PIR de Montaje Alto/Bajo 120/230 (Monofásico L-N)/277/347 VAC, Blanco, con lente y extensión a granel (tiene capacidad para Remoto IR)
<b>HBP-111-L7-SM1-OEM</b>	Sensor PIR de Montaje Alto/Bajo 120/230 (Monofásico L-N)/277/347 VAC, Blanco, con lente y Montaje de superficie, a granel (tiene capacidad para Remoto IR)
<b>HBP-112-L7</b>	Sensor PIR de Montaje Alto/Bajo 120/230 (Monofásico L-N)/277/347 VAC, Blanco, con lente (no tiene capacidad para Remoto IR)
<b>HBP-112-L7-OEM</b>	Sensor PIR de Montaje Alto/Bajo 120/230 (Monofásico L-N)/277/347 VAC, Blanco, con lente, a granel (no tiene capacidad para Remoto IR)
<b>HBP-112-L7-EM1-OEM</b>	Sensor PIR de Montaje Alto/Bajo 120/230 (Monofásico L-N)/277/347 VAC, Blanco, con lente y extensión a granel (no tiene capacidad para Remoto IR)
<b>HBP-112-L7-SM1-OEM</b>	Sensor PIR de Montaje Alto/Bajo 120/230 (Monofásico L-N)/277/347 VAC, Blanco, con lente y Montaje de superficie, a granel (no tiene capacidad para Remoto IR)
<b>HBP-L7</b>	Lente de Montaje Alto/Bajo para montaje de 8 - 40 pies para serie HBP-11X
<b>HBP-EM1</b>	Módulo de extensión de montaje Alto/Bajo para la serie HBP-11X
<b>HBP-SM1</b>	Módulo de montaje en superficie Alto/Bajo

### WARRANTY INFORMATION

Wattstopper warrants its products to be free of defects in materials and workmanship for a period of five (5) years. There are no obligations or liabilities on the part of Wattstopper for consequential damages arising out of, or in connection with, the use or performance of this product or other indirect damages with respect to loss of property, revenue or profit, or cost of removal, installation or reinstallation.

### INFORMATIONS RELATIVES À LA GARANTIE

Wattstopper garantit que ses produits sont exempts de défauts de matériaux et de fabrication pour une période de cinq (5) ans. Wattstopper ne peut être tenu responsable de tout dommage consécutif causé par ou lié à l'utilisation ou à la performance de ce produit ou tout autre dommage indirect lié à la perte de propriété, de revenus, ou de profits, ou aux coûts d'enlèvement, d'installation ou de réinstallation.

### INFORMACIÓN DE LA GARANTÍA

Wattstopper garantiza que sus productos están libres de defectos en materiales y mano de obra por un período de cinco (5) años. No existen obligaciones ni responsabilidades por parte de Wattstopper por daños consecuentes que se deriven o estén relacionados con el uso o el rendimiento de este producto u otros daños indirectos con respecto a la pérdida de propiedad, renta o ganancias, o al costo de extracción, instalación o reinstalación.