

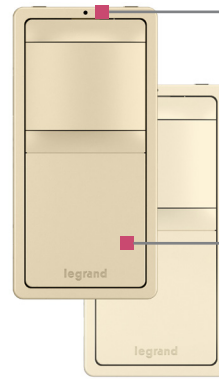
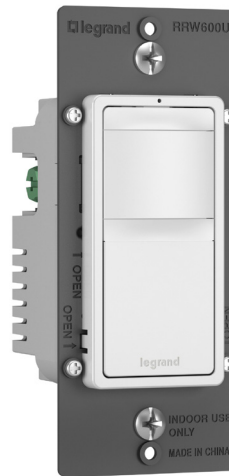
# RADIANT® OCCUPANCY/VACANCY SENSORS

## RRW600

Lighted switch for visibility in darkened rooms.

Decorator styling. Compatible with radiant screwless wall plates

Low-profile styling with uniform color-matched lens and device.



White LED locator light glows when device is off for easy location in the dark.

Interchangeable face plates – Three colors in one box (Ivory, White, Light Almond).

## Description

radiant® Occupancy/Vacancy Sensors offer energy savings by automatically turning lights off when a room has been vacant for a period of time. The RRW600UTC will automatically turn on the light or a fan when someone enters a room and can be optionally configured as a vacancy sensor (Manual-ON), while the RRW600VTC is a vacancy sensor only (Manual-ON) in compliance with Title 24.

## Stylish Occupancy Sensor

Our new radiant occupancy sensors and dimmers are all about style. These sensors come with three interchangeable face plates, and now as part of the radiant collection, offer a better fit, form and finish. Conveniently turns lights off with an adjustable time delay ranging from 30 seconds to 30 minutes. Easily replaces a standard single pole switch, with a sleek, modern design that matches today's style.

## Applications

Ideal for residential spaces like bathrooms, family rooms, laundry rooms or mudrooms, garages and more. Also great in light commercial spaces, like private offices, copy rooms, small storage rooms and closets.

## Features

- Part of the radiant® collection.
- Replaces a standard light or fan single pole switch.
- RRW600UTC features Auto ON/Auto OFF and can be configured to be Manual ON.
- RRW600VTC is Title 24 compliant.
- Compatible with decorator wall plates
- RRW600UTC features adjustable time delay of 30 seconds to 30 minutes – others have fixed 30-minute time delay, no adjustment necessary.
- Coverage: 180°, max. 600 sq. ft. (56 sq. m.).
- Supports multiple sensors (multi-location)
- Compatible with radiant screwless wall plates

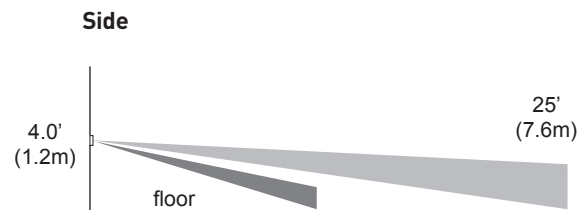
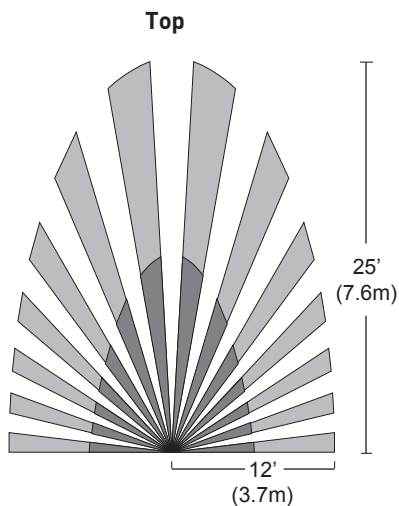
PROJECT

LOCATION/  
TYPE

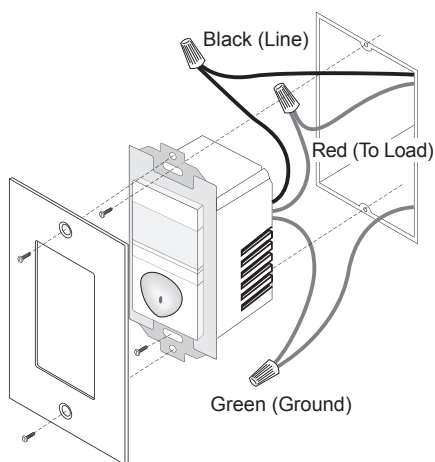
## Specifications

- Input voltage: 120VAC, 60 Hz
- Load: Incandescent 600W
  - LED/CFL 450W
  - MLV 600VA
  - ELV 5A
  - Motor 1/6HP
- Installation: Single Pole/Multi-Location
- Manual-On
- Operating conditions: for indoor use only; 32-104°F (0-40°C); 0-80% RH, non condensing
- UL and cUL listing pending
- Five year warranty
- Terminal Accomodation: #16 AWG wire leads for circuit termination and ground lug
- Application: Indoor Use Only
- Enclosure Material: Polycarbonate

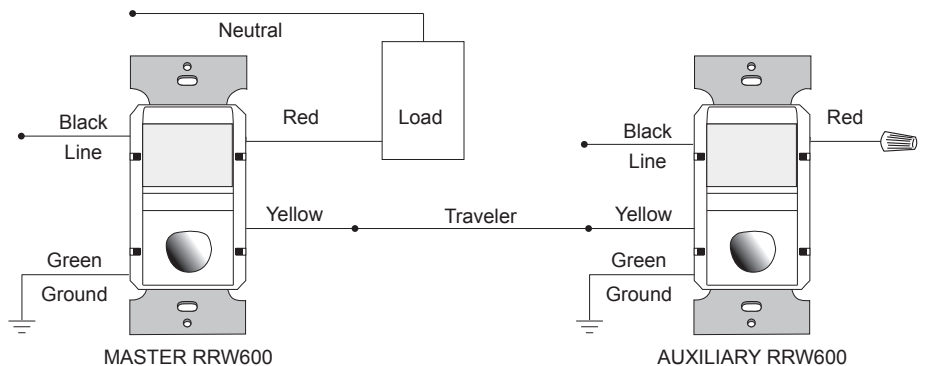
## Coverage



## Installation and Wiring



### 3 Way Wiring



## Ordering Information

Catalog #	Description	Voltage	Color
<input type="checkbox"/> RRW600UTC	Single Pole Occupancy Sensor	120VAC 60Hz	Includes three interchangeable face colors: White, Light Almond, Ivory
<input type="checkbox"/> RRW600VTC	Single Pole Vacancy Sensor	120VAC 60Hz	Includes three interchangeable face colors: White, Light Almond, Ivory

Order Wall Plates and Power Packs separately.

radiant is a registered trademark of Legrand