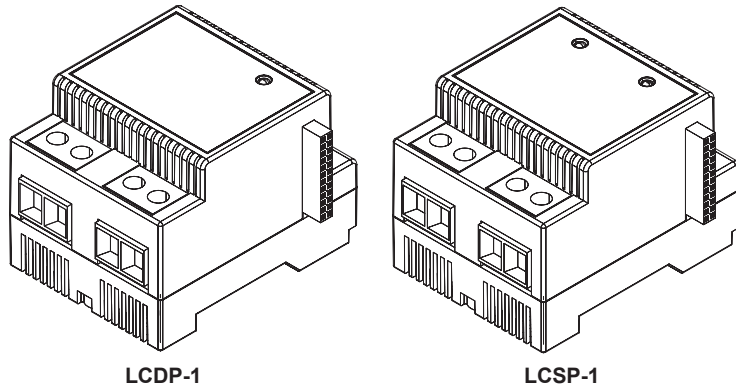


## Catalog Numbers • Les Numéros de Catalogue • Los Números de Catálogo: LCDP1, LCSP2

Country of Origin: Made in China • Pays d'origine: Fabriqué en Chine • País de origen: Hecho en China



## SPECIFICATIONS

<b>LCDP-1</b>	
Ballast/LED Driver.....	20 A @ 208V
Ballast/LED Driver.....	20 A @ 240V (2 Phase)
Ballast/LED Driver.....	20 A @ 480V (2 Phase)
Motor.....	1 HP @ 208V/240V
Short Circuit Current Rating.....	14kA AIC @ 277 VAC
<b>LCSP-2</b>	
Incandescent.....	20 A @ 120V/277V
Ballast/LED Driver.....	20 A @ 120V/277V
Motor.....	1/2 HP @ 120V
Short Circuit Current Rating.....	14kA AIC @ 277 VAC

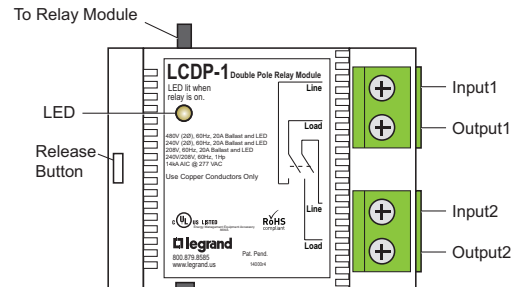
## DESCRIPTION

The LCDP-1 and LCSP-2 are relay modules for use with the LC8-120/277 panel. The LCDP-1 is a double pole/single relay module. The LCSP-2 is a single pole/double relay module. The modules are designed for easy installation within the LC8-120/277 panel.

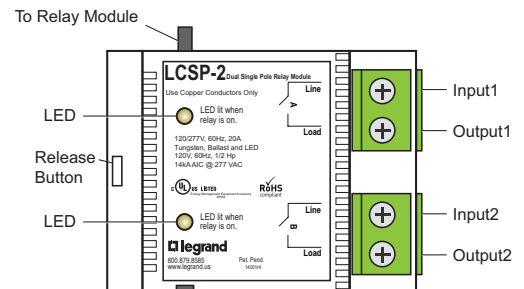
## MOUNTING THE RELAY MODULES

The relays for the LC8 are modular. They are designed for DIN rail mounting. To install the modules:

1. Disconnect all power to the unit.
2. Place the module over the DIN rail with the terminal blocks to the right.
3. Hook the terminal side of the module DIN rail track onto the DIN rail.
4. Lower the module and press down until the opposite side of the module clicks to the DIN rail.
5. After the module is attached to the DIN rail, slide the module down the DIN rail until it makes contact with the power supply module.
6. Carefully push the relay module against the power supply module until the multi-pin connector on the relay module fully mates with the matching connector on the power supply module.
7. Repeat this process for all relay modules that are to be installed in the enclosure. When properly installed, there should be approximately 1/16" space between each module.
8. To remove a module, press release button and reverse the above procedure.



To Relay Module or Power Supply Module



To Relay Module or Power Supply Module

## WARRANTY INFORMATION

Wattstopper warrants its products to be free of defects in materials and workmanship for a period of five (5) years. There are no obligations or liabilities on the part of Wattstopper for consequential damages arising out of, or in connection with, the use or performance of this product or other indirect damages with respect to loss of property, revenue or profit, or cost of removal, installation or reinstallation.

## INFORMATIONS RELATIVES À LA GARANTIE

Wattstopper garantit que ses produits sont exempts de défauts de matériaux et de fabrication pour une période de cinq (5) ans. Wattstopper ne peut être tenu responsable de tout dommage consécutif causé par ou lié à l'utilisation ou à la performance de ce produit ou tout autre dommage indirect lié à la perte de propriété, de revenus, ou de profits, ou aux coûts d'enlèvement, d'installation ou de réinstallation.

## INFORMACIÓN DE LA GARANTÍA

Wattstopper garantiza que sus productos están libres de defectos en materiales y mano de obra por un período de cinco (5) años. No existen obligaciones ni responsabilidades por parte de Wattstopper por daños consecuentes que se deriven o estén relacionados con el uso o el rendimiento de este producto u otros daños indirectos con respecto a la pérdida de propiedad, renta o ganancias, o al costo de extracción, instalación o reinstalación.