



Wattstopper®

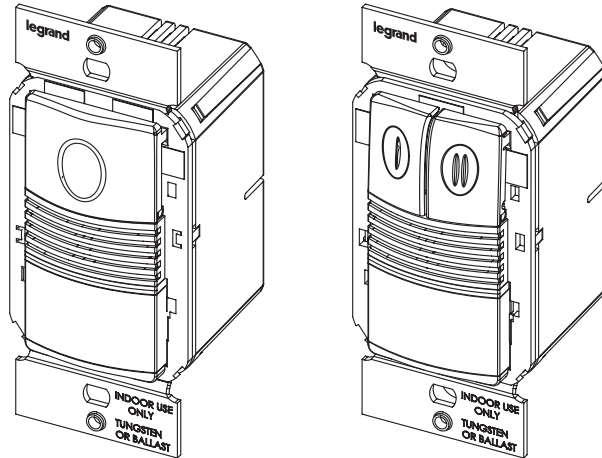
Passive Infrared Multi-Way Switch Occupancy Sensor (version 2)
 Interrupteur mural multiple à infrarouge passif Détecteur de présence (v2)
 Interruptor de pared de múltiples vías con Sensor de ocupación con tecnología infrarrojo pasivo (v2)
 Installation Instructions • Instructions d'Installation • Instrucciones de Instalación

No: 29123 – 11/20 rev. 1

Catalog Numbers • Les Numéros de Catalogue • Números de Catálogo: PW-301/PW-302

Country of Origin: Made in China • Pays d'origine: Fabriqué en Chine • País de origen: Hecho en China
 PW-301 and PW-302 models ending in -U are BAA and TAA compliant (Product produced in the U.S.)

SPECIFICATIONS



PW-301

PW-302

Voltages.....	120/240/277 VAC, 50/60 Hz
Load Limits for relay 1:	
@120 VAC	1000-W tungsten ballast, E-ballast, LED, 1/4 HP
@240/277 VAC	1200-W ballast, E-ballast, LED, 1/4 HP
Load Limits for relay 2:	
@120 VAC	800-W tungsten ballast, E-ballast, LED, 1/6 HP
@240/277 VAC	1200-W ballast, E-ballast, LED, 1/6 HP
Time Delay Adjustment	5 to 30 minutes
Walk-Through Mode.....	3 minutes if no activity after 30 sec.
Test Mode.....	10 min. with 5-sec. time delay
PIR Adjustment.....	High or Low
Light Level Adjustment	8fc to 180+fc
Alerts	Selectable Audible & Visual
Signal Wire.....	Both models
Multi-Way Capability.....	Both models

DESCRIPTION AND OPERATION

The PW Passive Infrared Wall Switch sensors use advanced passive infrared (PIR) technology.

PW sensors have Multi-Way available on all models. A “Walk-Through” mode can turn lights **OFF** after only 3 minutes, if no activity is detected after 30 seconds following an occupancy detection.

The PW-301 has one relay and one **ON/OFF** button. The PW-302 contains two relays and two **ON/OFF** buttons to allow control of one or two loads independently. Pressing a button toggles the state of the corresponding relay.

PW sensors contain a light level sensor. If adequate daylight is present, the sensor holds the load **OFF** until light levels drop, even if the area is occupied. In the PW-302, light level only affects the load on Relay 2. Users can overrule the hold **OFF** function by pressing the **ON/OFF** button. See the **Light Level Adjustment** section.

Turning Load(s) ON (ON Mode)

The relays are programmed independently for either **Auto ON** or **Manual ON**. In either mode, the load can be turned **ON** or **OFF** using the **ON/OFF** button.

Manual ON DIP 8 ON for Relay 1 DIP 9** ON for Relay 2	With an ON Mode DIP switch in the ON position, the occupant must press the ON/OFF button to turn ON the load. The sensor keeps the load ON until no motion is detected for the selected time delay. There is a 30 second re-trigger delay. If occupancy is detected during the delay, the sensor turns the load back ON . After the re-trigger delay elapses the ON/OFF button must be pressed to turn ON the load.
Auto ON DIP 8 OFF for Relay 1 DIP 9** OFF for Relay 2	With an ON Mode DIP switch in the OFF position, the load turns ON and OFF automatically based on occupancy. If the load is turned OFF manually, Presentation Mode operation applies. This prevents the load from turning ON automatically after it was deliberately turned OFF . Pressing the button to turn lights ON returns the sensor to Auto ON Mode .

** PW-301: Switch 9 is not used. PW-302: Switch 9 default is **ON** to comply with CA Energy Commission Title 24 bi-level switching requirements.

Model #	Relay	Default ON Mode	DIP switch #	Setting
PW-301	1	Manual ON	8	ON
PW-302	1	Auto ON	8	OFF
	2	Manual ON	9	ON

Presentation Mode

Presentation Mode is a feature of the **Auto ON** mode. When both relays are manually turned **OFF** the PW holds the lights **OFF** until no motion has been detected for the duration of the Time Delay. With subsequent occupancy, the PW turns the load **ON**. If both relays are **ON** and one relay is manually turned **OFF** this relay remains **OFF** until both the Time Delay and retrigger delay expires for the relay that is **ON**, after that time the **ON** Mode control settings again apply.

Time Delays

The PW sensor holds the load **ON** until no motion is detected for the selected time delay. Select the time delay using DIP switch settings. In the PW-302, both relays use the same delay. See **DIP SWITCH SETTINGS** for more information.

Test/20 min (DIP 1, 2, 3, OFF)	A Test Mode with a short time delay of 5 seconds is set when DIP switches 1, 2, & 3 are OFF . It cancels automatically after ten minutes, or when you set a fixed time delay. When the Test Mode times out, the sensor assumes a 20 minute time delay. To restart Test Mode, change the time delay setting to any fixed amount and then return it to the Test setting.
Fixed Time Delay (20 min. DIP 1 ON , 2 & 3 OFF)	Time delays are 5, 10, 15, 20, 25, or 30 minutes. The default is a 20 minute delay.

Walk-Through

The Walk-Through mode shortens the time delay to reduce the amount of time the load is **ON** after a brief moment of occupancy, such as returning to an office to pick up a forgotten item then immediately exiting.

Walk-Through Mode (DIP #4 ON)	The PW sensor turns the load OFF three minutes after the area is initially occupied, if no motion is detected after the first 30 seconds. If motion continues beyond the first 30 seconds, the set time delay applies.
No Walk-Through (DIP #4 OFF)	Walk-Through mode disabled. This is the default.

PIR Sensitivity Adjustment

The PW sensor constantly monitors the controlled environment and automatically adjusts the PIR to avoid common ambient conditions that can cause false detections, while providing maximum coverage.

High (DIP #5 OFF)	Default setting. Suitable for most applications.
Low, 50% (DIP #5 ON)	Reduces sensitivity by approximately 50%. Useful in cases where the PIR is detecting movement outside of the desired area (also consider masking the lens) and where heat sources cause unnecessary activation.

Alerts

The PW can provide audible and/or visible alerts as a warning before the load turns **OFF**.

Visible Alert (DIP #6 ON)	When only one minute is left in the time delay, the load connected to the relay turns OFF for one second. This provides a one minute warning before the load(s) are turned OFF by the sensor.
No Visible Alerts (DIP #6 OFF)	No visible warnings provided. This is the default.
Audible Alerts (DIP #7 ON)	Unit will beep at one minute*, at 30 seconds and at 10 seconds before turning OFF load. When Walk-Through is active, the unit beeps three times at 10 seconds before the load goes OFF . This is the default. *If Visible Alert is also ON , the one-minute time-out warning beep is replaced by the visible alert.
No Audible Alerts (DIP #7 OFF)	No audible warnings provided.

ADJUSTMENTS

Sensor Adjustment

Remove the wall plate. Remove the button cap by firmly squeezing together the top sides of the button assembly. Gently pull it away from the unit.

When the adjustments are completed, replace the button cap by inserting its hinges into the tabs on the main unit, and then squeeze the top of the button while pressing it into the unit. Reinstall the cover plate.

Light Level Adjustment

The light level can be set with loads **ON** or **OFF**. To enable light level control and set the threshold:

1. Make sure the room is lit appropriately.
2. Put the sensor into TEST Mode (see Time Delay switches). You have 10 minutes to complete the procedure.
3. Press and hold the **ON/OFF** button (Relay 1 button on the PW-302) for 3 seconds, until you hear a beep.
4. Step away from the sensor. After 10 seconds a beep sounds, indicating that the threshold level is set. This threshold is retained, even if power is lost, until it is re-set or disabled. In the PW-302, light level control only affects Relay 2.

To disable light level control, press and hold the Relay 1 button for 7 seconds, until a double beep tone sounds.

Reset to Default

Use the DIP Switch Settings tables to return features to factory settings. To reset the PW, press and hold the Relay 1 button for 10 seconds, until a triple beep sounds. This resets the sensor and disables light level control (the brightest ambient light will not hold the light **OFF**).

COVERAGE PATTERNS

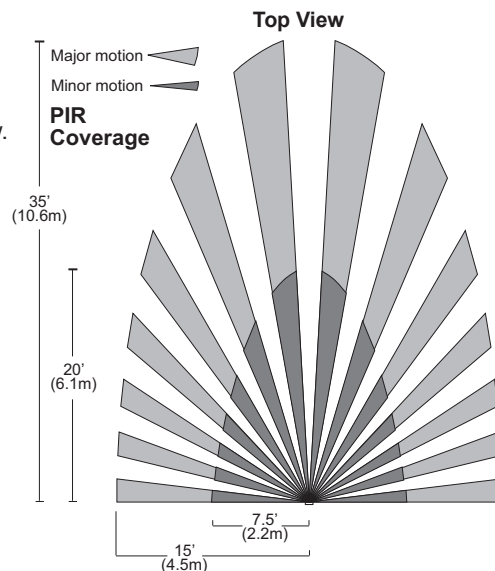
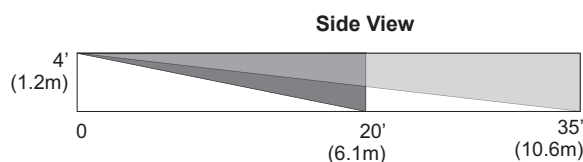
Coverage testing has been performed according to the NEMA WD 7 guideline. For best performance, use in spaces not larger than 15' x 12'.

PIR Sensor

The sensor has a two-tiered, multi-cell viewing Fresnel lens with 180 degree field of view. The red LED on the sensor flashes when the PIR detects motion.

Masking the lens

Opaque adhesive tape is supplied so that sections of the PIR sensor's view can be masked. This allows you to eliminate coverage in unwanted areas. Since masking removes bands of coverage, remember to take this into account when troubleshooting coverage problems.



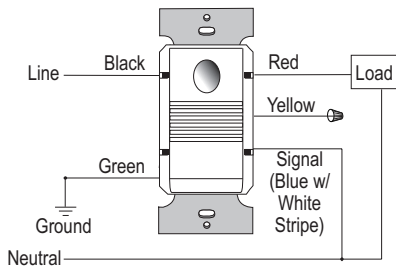
INSTALLATION

1. Make sure that the power has been turned **OFF** at the circuit breaker.
2. Connect wires to the PW flying leads as shown in the wiring diagram that is appropriate to the PW model and electrical supply. **The ground wire (green) must be fastened to ground for the sensor to work properly.**
3. Attach the sensor to the wall box by inserting screws into the two wide holes on the top and bottom of the attached metal bracket. Match them up with the holes in the wall box and tighten.
4. Turn the circuit breaker **ON**. Wait one minute, then push the **Auto ON/OFF** switch for each load and the lights will turn **ON**. There is a delay due to initial power-up of the sensor that only occurs during installation.
5. Test and adjust the sensor if necessary.
6. Install industry standard decorator wall switch cover plate (not included).

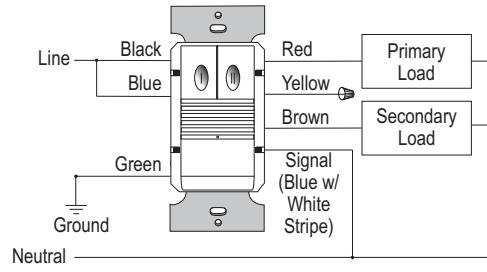


WARNING: TURN THE POWER OFF AT THE CIRCUIT BREAKER BEFORE WIRING.

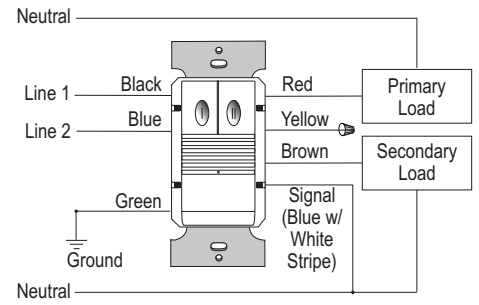




PW-301 Wiring



PW-302 Bi-Level Wiring



PW-302 Dual Circuit Wiring

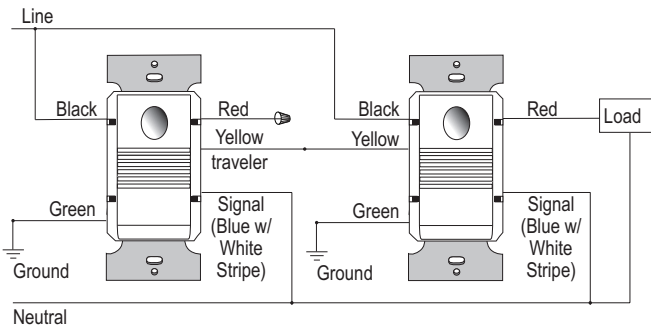
Signal Wire (Blue with White Stripe) connects to Neutral. For a replacement or retrofit application, it can connect to Ground.

MULTI-WAY

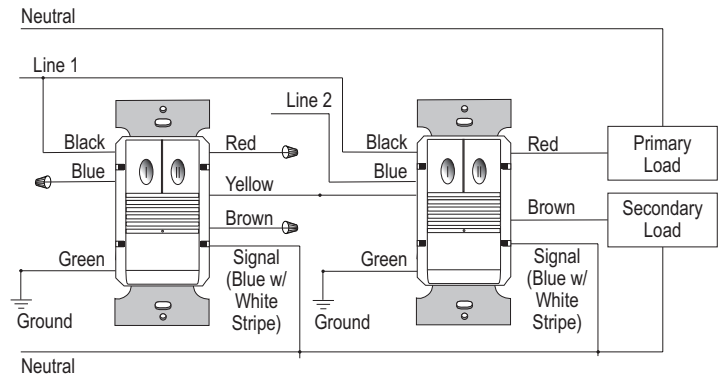
The Multi-Way capability is available on all models. Sensors can easily be wired together for convenient control of a common load. When wiring this way, only use 300 series sensors. Multi-Way in 300 series is not compatible with prior sensor models.

The following principles apply for Multi-Way:

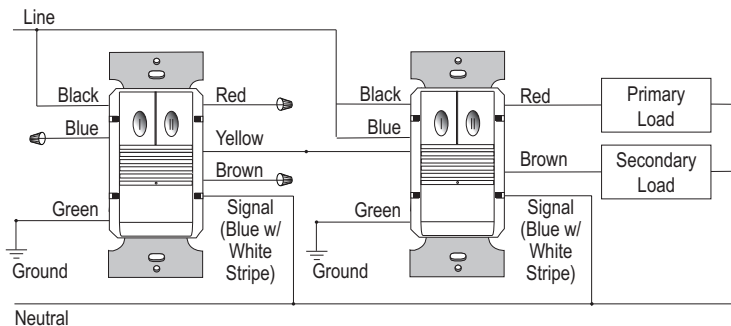
- All units can see each other's push button events and respond accordingly.
- All units in the space must be wired using the same connection to the signal wire.
- All units can see each other's PIR trigger event. The response will be determined by the Light Level setting and/or conditions of the space of the detecting sensor.
- The time delay for all units is defined by the unit with the smallest time delay.



**Typical Wiring
(PW-301 up to 4 sensors)**



Two-phase Wiring



**Bi-level Wiring
(PW-302 up to 4 sensors)**

NOTE: Button 1 on any sensor controls load #1 and button 2 on any sensor controls load #2.

SENSOR OPERATING MODES

Sensor #1	Sensor #2	Light Fixture
Auto-ON	Auto-ON	The load turns ON and OFF automatically based on occupancy detection by either one of the sensors. The sensors keep the load ON until no motion is detected and will use the time delay of the sensor with the lowest value. At any time, the light can be turned ON and OFF using the ON/OFF button of any one of the sensors. If the load is turned OFF manually by pressing either one of the ON/OFF buttons, the unit will enter Presentation mode.
Auto-ON*	Manual ON*	The load can only be turned ON automatically by the sensor set in Auto ON mode. The sensors keep the load ON until no motion is detected and will use the time delay of the sensor with the lowest value. There is either a 30 second re-trigger delay for the sensor set in Manual ON mode or instant re-trigger for the sensor set in Auto ON mode. After the re-trigger delay elapses, the ON/OFF button of the sensor set in Manual ON mode must be pressed to turn the load back on unless the sensor set in Auto ON mode detects motion. If the light is turned ON manually by pressing the ON/OFF button set in Auto ON , it will enter Presentation Mode.
Manual-ON	Manual-ON	The occupant must press the ON/OFF button on either one of the sensors to turn the light ON . The sensors keep the load ON until no motion is detected and will use the time delay of the sensor with the lowest value. There is a 30 second re-trigger delay, meaning the occupant has 30 seconds to be detected for the sensor to turn the load back on automatically. After the re-trigger delay elapses, the ON/OFF button of any one of the sensors must be pressed to turn the load back ON .

* Although this configuration may be selected, it is not recommended.

DIP SWITCH SETTINGS

Time Delay	1	2	3
Test/20 min	↓	↓	↓
5 minutes	↓	↓	↑
10 minutes	↓	↑	↓
15 minutes	↑	↑	↑
20 minutes	↑	↓	↓
25 minutes	↑	↓	↑
30 minutes	↑	↑	↓
Service	↑	↑	↑

Walk-Through	4
Enabled	↑
Disabled	↓

Service bypasses occupancy & light level functions. Control the load manually using **ON/OFF** button.

Time Delay: 1, 2, 3, 4, 5, 6, 7, 8, 9

Visible Alerts: 1, 2, 3, 4, 5, 6, 7, 8, 9

Relay 1 Mode: 1, 2, 3, 4, 5, 6, 7, 8, 9

Relay 2 Mode: 1, 2, 3, 4, 5, 6, 7, 8, 9

Audible Alert	7
Enabled	↑
Disabled	↓

Relay 1 Mode	8
Manual On	↑
Auto On	↓

PW-302 ONLY

Relay 2 Mode	9
Manual On	↑
Auto On	↓

Factory Settings:
 All models
 PW-301 series
 PW-302 series

↑ = ON ↓ = OFF

TROUBLESHOOTING

Lights do not turn ON with motion (LED does flash)

- Press and release each button to make sure that the correct lights come **ON** for each relay. If the lights do **NOT** turn **ON**, check wire connections, especially the Load connection. If the lights turn **ON**, verify that the correct **ON Mode** is selected in DIP Switches 8 and 9.
- Check to see if light level control is enabled: cover the sensor lens with your hand. If the lights come **ON**, adjust the light level setting.
- If lights still do not turn **ON**, call 800.879.8585 for technical support.

Lights do not turn ON with motion (LED does not flash)

- Press and release each button to make sure that the correct lights come **ON** for each relay. If the lights turn **ON**, verify that Sensitivity is on High.
- Check the wire connections, in particular, the Line connection. Verify that connections are tightly secured.
- If lights still do not turn **ON**, call 800.879.8585 for technical support.

Lights do not turn OFF

1. There can be up to a 30 minute time delay after the last motion is detected. To verify proper operation, set DIP Switch 1 to **ON**, then reset switches 1, 2, and 3 to **OFF** to start Test Mode. Move out of view of the sensor. The lights should turn **OFF** in approximately 5 seconds.
2. Verify that the sensor is mounted at least six feet (2 meters) away from any heating/ventilating/air conditioning device that may cause false detection. Verify that there is no significant heat source (such as a high wattage light bulb) mounted near the sensor.
3. If the lights still do not turn **OFF**, call 800.879.8585 for technical support.

Sensing motion outside desired areas

1. Select PIR Sensitivity – Low (DIP switch 5 = **ON**) if necessary.
2. Mask the PIR sensor's lens to eliminate unwanted coverage area.

Red LED is OFF all the time and the sensor features don't work.

1. Check DIP switches 1,2,3. If they are all **ON** the unit is in Service Mode. Set the DIP switches to a valid Time Delay setting.
2. If resetting the Time Delay switches does not set the sensor features, call technical support.

COVER PLATES

Wattstopper PW series wall switches fit behind industry standard decorator-style switch cover plates. Cover plates are not included.

Units come in the following colors, which are indicated by the final suffix of the catalog number (shown here in parentheses):

White (-W), Light Almond (-LA), Ivory (-I), Grey (-G), Black (-B)

DESCRIPTION ET FONCTIONNEMENT DE L'UNITÉ

Les détecteurs interrupteurs muraux à infrarouge passif PW utilisent la technologie de pointe de l'infrarouge passif (IRP). Les détecteurs PW ont fonction multiple disponible sur tous les modèles. Un mode « passage » permet d'ÉTEINDRE la lumière au bout de 3 minutes seulement, si aucun mouvement n'est détecté 30 secondes après la détection d'une présence.

Le PW-301 dispose d'un relais et d'un bouton MARCHE/ARRÊT. Le PW-302 contient deux relais et deux boutons MARCHE/ARRÊT pour permettre le contrôle indépendant d'une ou de deux charges. La pression sur un bouton fait basculer l'état du relais correspondant.

Les détecteurs PW contiennent un détecteur du niveau de luminosité. Si la lumière naturelle est suffisamment forte, le détecteur maintient la charge COUPÉE jusqu'à ce que le niveau de luminosité baisse, même lorsqu'il y a une présence dans la zone. Pour le PW-302, le niveau de luminosité ne concerne que la charge du relais 2. Les utilisateurs peuvent contourner la fonction de maintien de l'état ARRÊT en appuyant sur le bouton MARCHE/ARRÊT. Voir Réglage du niveau de luminosité.

ACTIVATION de la ou des charges (mode MARCHE)

Les relais sont programmés indépendamment soit sur MARCHE automatique, soit sur MARCHE manuelle. Dans chacun de ces modes, la charge peut être ACTIVÉE ou DÉSACTIVÉE à l'aide du bouton MARCHE/ARRÊT.

<p>MARCHE manuelle DIP 8 sur ON pour relais 1 DIP 9** sur ON pour relais 2</p>	<p>Lorsqu'un interrupteur DIP du mode MARCHE est en position MARCHE, la personne présente doit appuyer sur le bouton MARCHE/ARRÊT pour ACTIVER la charge. Le détecteur maintient la charge ACTIVE jusqu'à ce que plus aucun mouvement ne soit détecté pendant la temporisation sélectionnée. Il existe un délai de re-déclenchement de 30 secondes. Si une présence est détectée pendant ce délai, le détecteur ACTIVE de nouveau la charge. À la fin du délai de re-déclenchement, il est nécessaire d'appuyer sur le bouton MARCHE/ARRÊT pour ACTIVER la charge.</p>
<p>MARCHE automatique DIP 8 sur OFF pour relais 1 DIP 9** sur OFF pour relais 2</p>	<p>Lorsqu'un interrupteur DIP du mode MARCHE est en position ARRÊT, la charge s'ACTIVE et se DÉSACTIVE automatiquement en fonction de la présence. Si la charge est COUPÉE manuellement, le fonctionnement en mode présentation est activé. Cette opération empêche la mise en MARCHE automatique de la charge après un ARRÊT volontaire. Si vous appuyez sur le bouton pour ALLUMER les lumières, le détecteur revient en mode MARCHE automatique.</p>

** PW-301: l'interrupteur 9 est inutilisé. PW-302: le réglage par défaut de l'interrupteur 9 est sur MARCHE pour se conformer aux exigences en matière de commutation à deux niveaux du Titre 24 de la CA Energy Commission.

N° de modèle	Relais	Mode MARCHE par défaut	N° d'interrupteur DIP	Réglage
PW-301	1	MARCHE manuelle	8	MARCHE
PW-302	1	MARCHE automatique	8	ARRÊT
	2	MARCHE manuelle	9	MARCHE

Le mode présentation

Le mode présentation est une fonctionnalité du mode MARCHE automatique. Lorsque les deux relais sont manuellement COUPÉS, le PW maintient les lumières ÉTEINTES jusqu'à ce que plus aucun mouvement ne soit détecté pendant la temporisation. Si une présence est ensuite détectée, le PW ACTIVE la charge. Si les deux relais sont ACTIVÉS et un relais est manuellement DÉSACTIVÉ, ce relais reste DÉSACTIVÉ jusqu'à l'expiration de la temporisation et du délai de re-déclenchement pour le relais qui est ACTIF. Une fois ce délai expiré, les réglages de contrôle du mode MARCHE sont de nouveau applicables.

CARACTÉRISTIQUES

Tensions 120/240/277 V c.a., 50/60 Hz

Charges maximales pour le relais 1 :

 @ 120 VCA..... 1000 W, tungstène, ballast, ballast électronique, DEL, 1/4 HP

 @ 240/277 VCA 1200 W, ballast, ballast électronique, DEL, 1/4 HP

Charges maximales pour le relais 2 :

 @ 120 VCA 800 W, tungstène, ballast, ballast électronique, DEL, 1/6 HP

 @ 240/277 VCA 1200 W, ballast, ballast électronique, DEL, 1/6 HP

Réglage de la temporisation..... de 5 à 30 minutes

Mode passage..... 3 minutes si aucune activité détectée après 30 sec.

Mode test..... 10 min. avec temporisation de 5 sec.

Réglage de l'IRP Élevé ou faible

Réglage du niveau de luminosité 86,1 à 1936,8+ lux (8 à 180+ pied-bougies)

Alarmes Sonores et visuelle au choix

Fil de signal Les deux modèles

Capacité multiple` Les deux modèles

Temporisations

Le détecteur PW maintient la charge ACTIVE jusqu'à ce que plus aucun mouvement ne soit détecté pendant la temporisation sélectionnée. Sélectionnez la temporisation à l'aide des paramètres des interrupteurs DIP. Pour le PW-302, les deux relais utilisent la même temporisation.

Test/20 min. (DIP 1, 2, 3, OFF)	Le mode test, avec une temporisation courte de 5 secondes, est lancé lorsque les interrupteurs DIP 1, 2 et 3 sont sur ARRÊT. Il s'annule automatiquement au bout de dix minutes ou lorsque vous paramétrez une temporisation fixe. À la fin du mode test, le détecteur adopte une temporisation de 20 minutes. Pour redémarrer le mode test, modifiez le réglage de la temporisation en choisissant une quantité fixe, puis revenez au réglage du mode test.
Temporisation fixe (DIP 1 sur ON, 2 et 3 sur OFF)	Les temporisations sont de 5, 10, 15, 20 (par défaut), 25 ou 30 minutes.

Mode passage

Le mode passage raccourcit la temporisation pour réduire le délai d'ACTIVATION de la charge après une brève présence, telle que le retour au bureau pour récupérer un objet oublié suivi par une sortie immédiate.

Mode passage (DIP 4 sur ON)	Le détecteur PW COUPE la charge trois minutes après la première détection de présence, si aucun mouvement n'est détecté au bout des 30 premières secondes. Si du mouvement est encore détecté au-delà des 30 premières secondes, la temporisation paramétrée est activée.
Pas de mode passage (DIP 4 sur OFF)	Mode passage désactivé. Réglage par défaut.

Réglage de la sensibilité de l'IRP

Le détecteur PW surveille en permanence l'environnement contrôlé et règle automatiquement l'IRP pour éviter des conditions ambiantes courantes susceptibles de provoquer de fausses détections, tout en fournissant une portée optimale.

Élevée (DIP 5 sur OFF)	Réglage par défaut. Convient à la plupart des applications.
Faible, 50 % (DIP 5 sur ON)	Réduit la sensibilité d'environ 50 %. Utile lorsque l'IRP détecte des mouvements en dehors de la zone souhaitée (pensez également à obstruer la lentille) et lorsque des sources de chaleur peuvent provoquer des activations inutiles.

Alarmes

Le PW est doté d'alarmes sonores et/ou visuelles avertissant de la COUPURE imminente de la charge.

Alarme visuelle (DIP 6 sur ON)	Lorsqu'il ne reste qu'une minute de temporisation, la charge connectée au relais se DÉACTIVE pendant une seconde. Cette action constitue un avertissement une minute avant la COUPURE de la/des charge(s) par le détecteur.
Aucune alarme visuelle (DIP 6 sur OFF)	Aucune alarme visuelle fournie. Réglage par défaut.
Alarmes sonores (DIP 7 sur ON)	L'unité émettra un bip une minute*, 30 secondes et 10 secondes avant la COUPURE de la charge. Lorsque le mode passage est activé, l'unité émet trois bips 10 secondes avant la COUPURE de la charge. Réglage par défaut. *Si l'alarme visuelle est également ACTIVÉE, le bip d'avertissement une minute avant la fin du délai est remplacé par l'alarme visuelle.
Aucune alerte (DIP 7 sur OFF)	Aucun avertissement fourni.

RÉGLAGES

Réglage du détecteur

Retirez la plaque murale. Retirez le cache du bouton en serrant fermement et simultanément les parties supérieures de l'ensemble bouton. Retirez-le doucement de l'unité.

Lorsque les réglages sont terminés, reposez le cache du bouton en insérant ses charnières dans les ergots de l'unité principale, puis serrez les parties supérieures du bouton tout en le poussant dans l'unité. Reposez la plaque murale.

Réglage du niveau de luminosité

Le niveau de luminosité peut être réglé avec les charges ACTIVÉES ou COUPÉES. Pour activer le contrôle du niveau de luminosité et régler le seuil :

1. Assurez-vous que la pièce est correctement éclairée.
2. Mettez le détecteur en mode test (avec les interrupteurs de temporisation). Vous avez 10 minutes pour accomplir la procédure.
3. Maintenez enfoncé le bouton MARCHE/ARRÊT (bouton du relais 1 sur le PW-302) pendant 3 secondes, jusqu'à l'émission d'un bip sonore.

- Éloignez-vous du détecteur. Au bout de 10 secondes, un bip se fait entendre, indiquant que le seuil est réglé. Ce seuil est enregistré, même lors de coupures d'alimentation, jusqu'à ce qu'il soit à nouveau réglé ou désactivé. Pour le PW-302, le contrôle du niveau de luminosité ne concerne que le relais 2.

Pour désactiver le contrôle du niveau de luminosité, maintenez enfoncé le bouton du relais 1 pendant 7 secondes, jusqu'à l'émission d'un double bip sonore.

Rétabir les paramètres par défaut

Utilisez les tableaux des réglages des interrupteurs DIP de la page précédente pour revenir aux réglages d'usine. Pour réinitialiser le PW, maintenez enfoncé le bouton du relais 1 pendant 10 secondes, jusqu'à l'émission d'un triple bip sonore. Cette opération réinitialise le détecteur et désactive le contrôle du niveau de luminosité (la luminosité ambiante la plus intense ne maintiendra pas les lumières ÉTEINTES).

PORTÉES

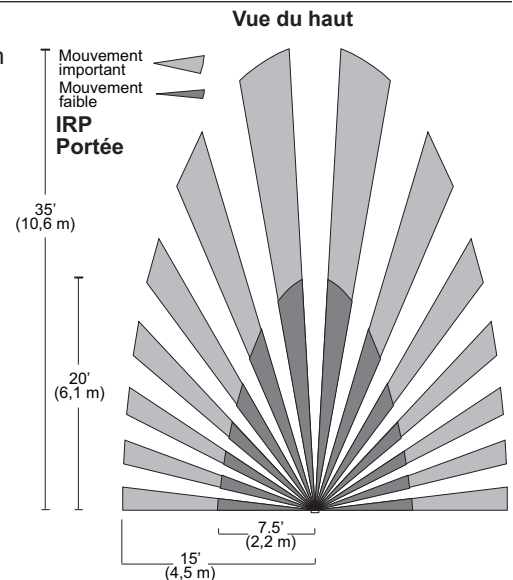
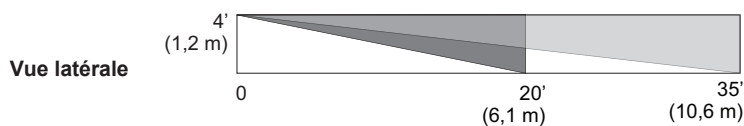
Le test de portée a été réalisé conformément à la norme NEMA WD 7. Pour un fonctionnement optimal, n'utilisez pas le détecteur dans des espaces supérieurs à 4,6 m x 3,6 m (15 pi x 12 pi).

Détecteur IRP

Le détecteur dispose d'une lentille Fresnel de visualisation à multiples cellules et deux niveaux avec un champ de vision à 180 degrés. La DEL rouge du détecteur clignote lorsque l'IRP détecte un mouvement.

Obstruction de la lentille

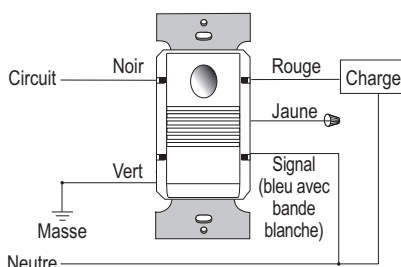
Un ruban adhésif opaque est fourni de manière à permettre l'obstruction de certaines zones du champ de vision du détecteur IRP. Cette opération vous permet d'éliminer la portée dans des zones non souhaitées. Étant donné que cette obstruction diminue la portée, n'oubliez pas d'en tenir compte en cas de dépannage des problèmes de portée.



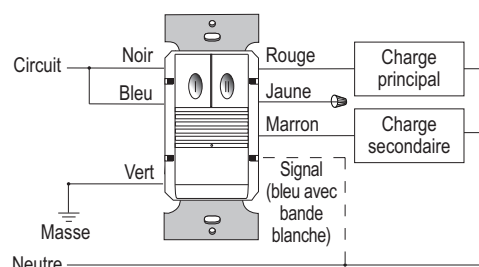
INSTALLATION

- Assurez-vous que le courant a bien été COUPÉ au niveau du disjoncteur du circuit.
- Raccordez les fils aux câbles volants du PW comme illustré dans le schéma de câblage correspondant à votre modèle de PW et à votre alimentation électrique. **Le fil de terre (vert) doit être relié à la terre afin que le détecteur puisse fonctionner correctement.**
- Fixez le détecteur sur le boîtier mural en insérant des vis dans les deux grands orifices en haut et en bas du support métallique attaché. Placez-les en face des orifices du boîtier mural puis serrez.
- ENCLENCHEZ le disjoncteur de circuit. Attendez une minute, puis appuyez sur l'interrupteur MARCHE/ARRÊT automatique de chaque charge et les lumières s'ALLUMERONT. La mise sous tension initiale du détecteur implique un certain délai qui n'apparaît que lors de l'installation.
- Testez et réglez le détecteur si nécessaire.
- Montez le cache d'interrupteur mural Decorator aux normes du secteur (non fourni).

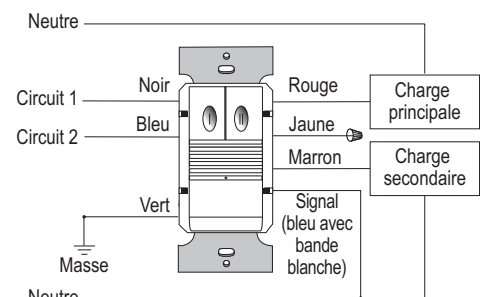
AVERTISSEMENT : COUPER LE COURANT AU DISJONCTEUR PRINCIPAL AVANT D'INSTALLER LE CÂBLAGE.



Câblage des PW-301



Câblage à deux niveaux des PW-302



Câblage à double circuit des PW-302

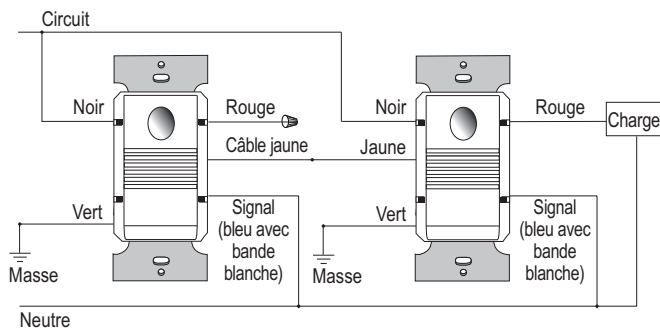
Le fil de signal (bleu avec bande blanche) se connecte au neutre. Pour une application de remplacement ou de mise à niveau, il peut se connecter à la masse.

MULTIPLE

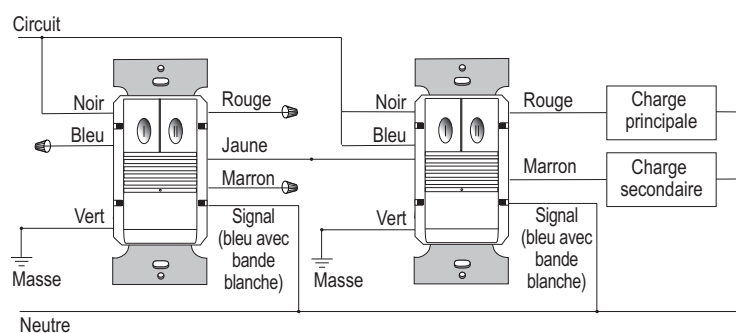
La capacité multiple est disponible sur tous les modèles. Les détecteurs peuvent facilement être connectés les uns aux autres pour le contrôle pratique d'une même charge. Si vous effectuez votre câblage de cette manière, utilisez uniquement des détecteurs de série 300. La capacité multiple de la série 300 est incompatible avec les modèles de détecteurs plus anciens.

Les principes suivants s'appliquent à la capacité multiple :

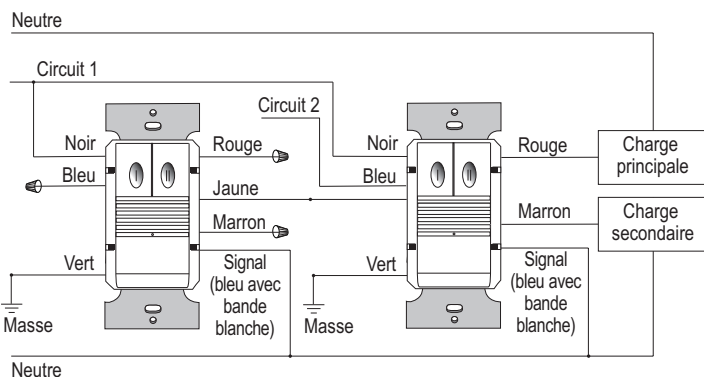
- Toutes les unités peuvent consulter les événements des boutons poussoirs des autres unités et réagir en fonction de ces derniers.
- Toutes les unités de l'espace doivent être câblées en utilisant la même connexion au fil de signal
- Toutes les unités peuvent consulter les événements de déclenchement IRP des autres unités. Elles réagiront en fonction du réglage du niveau de luminosité et/ou des conditions de l'environnement du détecteur.
- La temporisation de toutes ces unités est définie par l'unité ayant la temporisation la plus courte.



**Câblage standard
(PW-301 - jusqu'à 4 détecteurs)**



**Câblage à deux niveaux
(PW-302 - jusqu'à 4 détecteurs)**



Câblage biphase

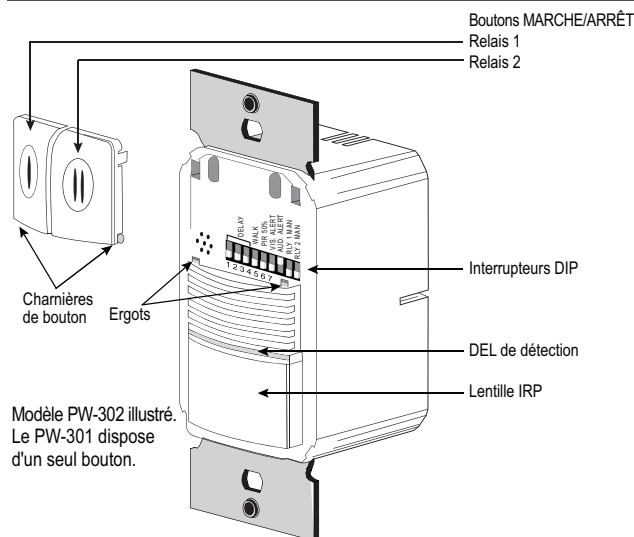
REMARQUE: Le bouton 1 de n'importe quel détecteur contrôle la charge 1 et le bouton 2 de n'importe quel détecteur contrôle la charge 2.

MODES DE FONCTIONNEMENT DU DÉTECTEUR

Détecteur 1	Détecteur 2	Luminaire
MARCHE automatique	MARCHE automatique	La charge est automatiquement ACTIVÉE et DÉSACTIVÉE en fonction de la détection d'une présence par l'un des détecteurs. Les détecteurs garderont la charge allumée jusqu'à ce qu'il n'y ait plus de mouvement et utiliseront le délai du détecteur avec la temporisation la plus courte. À tout moment, la lumière peut être ALLUMÉE et ÉTEINTE à l'aide du bouton MARCHE/ARRÊT de n'importe quel détecteur. Si la charge est COUPÉE manuellement en appuyant sur l'un des boutons MARCHE/ARRÊT, l'unité va afficher le mode Présentation.
MARCHE automatique*	MARCHE manuelle*	La charge ne peut être automatiquement ACTIVÉE que si le détecteur est réglé en mode MARCHE automatique. Les détecteurs garderont la charge allumée jusqu'à ce qu'il n'y ait plus de mouvement et utiliseront le délai du détecteur avec la temporisation la plus courte. Lorsque le détecteur est réglé sur le mode MARCHE manuelle, le délai de re-déclenchement est de 30 secondes, lorsque le détecteur est réglé sur le mode MARCHE automatique, le re-déclenchement est instantané. Une fois le délai de re-déclenchement expiré, vous devez appuyer sur le bouton MARCHE/ARRÊT du détecteur réglé sur le mode MARCHE manuelle afin de réactiver la charge, à moins que le détecteur, réglé sur le mode MARCHE automatique, ne détecte les mouvements. Si la lumière est ÉTEINTE manuellement en appuyant sur le bouton MARCHE/ARRÊT pour le mode MARCHE automatique, l'unité affiche le mode Présentation.
MARCHE manuelle	MARCHE manuelle	La personne présente doit appuyer sur le bouton MARCHE/ARRÊT de l'un des détecteurs afin d'ALLUMER la lumière. Les détecteurs garderont la charge allumée jusqu'à ce qu'il n'y ait plus de mouvement et utiliseront le délai du détecteur avec la temporisation la plus courte. Le délai de re-déclenchement est de 30 secondes, ce qui signifie que la personne présente a 30 secondes pour être détectée et pour que le détecteur réactive automatiquement la charge. Une fois le délai de re-déclenchement expiré, vous devez appuyer sur le bouton MARCHE/ARRÊT de l'un des détecteurs pour RÉACTIVER la charge.

* Bien que cette option soit possible, elle n'est pas recommandée.

RÉGLAGES DES INTERRUPTEURS DIP



Temporisation	1	2	3
Test/20 min	↓	↓	↓
5 minutes	↓	↓	↑
10 minutes	↓	↑	↓
5 minutes	↓	↑	↑
20 minutes	↑	↓	↓
5 minutes	↑	↓	↑
30 minutes	↑	↑	↓
Entretien	↑	↑	↑

Mode passage	4
Activé	↑
Désactivé	↓

ⓘ L'entretien outrepassse les fonctions de niveau de luminosité et de présence. Réglez la charge manuellement à l'aide du bouton MARCHE/ARRÊT.

Alarmes sonores	7
Activé	↑
Désactivé	↓

Mode relais 1	8
Marche manuelle	↑
Marche automatique	↓

Modèle PW-302 UNIQUEMENT

Mode relais 2	9
Marche manuelle	↑
Marche automatique	↓

Sensibilité IRP	5
Faible, 50 %	↑
Élevée	↓

Alarme visuelle	6
Activé	↑
Désactivé	↓

↑ = MARCHE ↓ = ARRÊT

Réglages d'usine :
 ◀ Tous modèles
 ▲ Séries PW-301
 ▲ Séries PW-302

DÉPANNAGE

Les lumières ne s'ALLUMENT pas lorsqu'il y a du mouvement (la DEL clignote)

1. Enfoncez et relâchez chaque bouton pour vous assurer que les bonnes lumières s'ALLUMENT pour chaque relais. Si les lumières ne s'ALLUMENT PAS, vérifiez les raccordements des fils, notamment le raccordement de la charge. Si les lumières s'ALLUMENT, vérifiez que le bon mode marche est sélectionné au niveau des interrupteurs DIP 8 et 9.
2. Assurez-vous que le contrôle du niveau de luminosité est activé : couvrez la lentille du détecteur avec votre main. Si les lumières s'ALLUMENT, réglez le paramétrage du niveau de luminosité.
3. Si les lumières ne s'ALLUMENT toujours pas, appelez le +1.800.879.8585 pour obtenir une assistance technique.

Les lumières ne s'ALLUMENT pas lorsqu'il y a du mouvement (la DEL ne clignote pas)

1. Enfoncez et relâchez chaque bouton pour vous assurer que les bonnes lumières s'ALLUMENT pour chaque relais. Si les lumières s'ALLUMENT, assurez-vous que la sensibilité est réglée sur Élevée.
2. Vérifiez les raccordements des fils, notamment le raccordement de l'alimentation secteur. Vérifiez que les raccordements sont bien connectés.
3. Si les lumières ne s'ALLUMENT toujours pas, appelez le +1.800.879.8585 pour obtenir une assistance technique.

Les lumières ne s'ÉTEignent pas

1. Il peut y avoir une temporisation de 30 minutes maximum après la dernière détection de mouvement. Pour vous assurer d'un fonctionnement correct, réglez l'interrupteur DIP 1 sur MARCHE, puis réinitialisez les interrupteurs 1, 2 et 3 sur ARRÊT pour démarrer le mode test. Placez-vous hors de portée du détecteur. Les lumières doivent s'ÉTEINDRE au bout de 5 secondes environ.
2. Assurez-vous que le détecteur est monté à au moins 2 mètres (six pieds) de tout appareil de climatisation/ventilation/chauffage susceptible d'induire une fausse détection. Assurez-vous qu'aucune source de chaleur notable (ampoule de forte intensité, par exemple) ne se trouve à proximité du détecteur.
3. Si les lumières ne s'ÉTEignent toujours pas, appelez le +1.800.879.8585 pour obtenir une assistance technique.

Détection de mouvements au-delà de la zone souhaitée

1. Sélectionnez le réglage de la sensibilité de l'IRP - Faible (interrupteur DIP 5 = MARCHE) si nécessaire.
2. Masquez la lentille du détecteur IRP pour éliminer les zones de portée non souhaitées.

La DEL rouge est constamment ÉTEINTE et les fonctions du détecteur sont inopérantes.

1. Vérifiez les interrupteurs DIP 1,2,3. S'ils sont tous sur MARCHE, l'unité est en mode entretien. Définissez un réglage de temporisation valide à l'aide des interrupteurs DIP.
2. Si la réinitialisation des interrupteurs de temporisation ne règle pas les fonctions du détecteur, contactez l'assistance technique.

CACHES

Les interrupteurs muraux de la série PW de Wattstopper peuvent être montés derrière des caches d'interrupteur de style Decorator aux normes du secteur. Les caches ne sont pas inclus.

Les unités sont disponibles dans les couleurs suivantes, indiquées par le suffixe final du numéro de référence (montré ici entre parenthèses) : Blanc (-W), Amande légère (-LA), Ivoire (-I), Gris (-G), Noir (-B).

DESCRIPCIÓN Y FUNCIONAMIENTO DE LA UNIDAD

Los sensores del interruptor de pared infrarrojo pasivos PW utilizan tecnología infrarroja pasiva (PIR) avanzada.

Los sensores PW tienen múltiples vías en todos los modelos. El modo de "recorrido" puede apagar las luces después de solo 3 minutos si no se detecta actividad después de 30 segundos de una detección de ocupación.

El modelo PW-301 tiene un relé y un botón de Encendido y Apagado. El PW-302 contiene dos relés y dos botones de Encendido/Apagado para permitir el control de una o dos cargas independientemente. Presionar un botón alterna el estado del relé correspondiente.

Los sensores PW contienen un sensor de nivel de luz. En caso de haber luz de día adecuada, el sensor mantiene la carga apagada hasta que cae el nivel de luz, aun cuando el área está ocupada. En el PW-302, el nivel de luz solamente afecta a la carga en el relé 2. Los usuarios pueden desestimar la función de Mantener apagado presionando el botón de Encendido/Apagado. Consulte el ajuste de nivel de luz.

Activación de cargas (Modo de encendido)

Los relés están programados de manera independiente para Encendido automático o Encendido manual. En cualquiera de los modos, la carga se puede encender o apagar mediante el botón de Encendido/Apagado.

<p>Encendido manual Interruptor DIP 8 Activado para Relé 1 Interruptor DIP 9 Activado para Relé 2</p>	<p>Con un interruptor DIP en la posición de Activado, en el Modo de encendido, el ocupante debe presionar el botón de Encendido y Apagado para activar la carga. El sensor mantiene la carga encendida hasta que no se detecta movimiento durante el tiempo de retardo seleccionado. Hay una demora de 30 segundos de re-reinicio. Si se detecta ocupación durante el retardo, el sensor vuelve a colocar la carga en posición de Encendido. Luego de transcurrida la demora de reinicio, se debe presionar el botón de Encendido/Apagado para encender la carga.</p>
<p>Encendido automático Interruptor DIP 8 Desactivado para Relé 1 Interruptor DIP 9 Desactivado para Relé 2</p>	<p>Con un interruptor DIP en la posición Desactivado, en el Modo de encendido, la carga se enciende y se apaga automáticamente según la ocupación. Si la carga se apaga manualmente, se aplica la operación en modo de Presentación. Esto evita que la carga se encienda automáticamente después de haber sido apagada deliberadamente. Al presionar el botón de Encendido de las luces, el sensor vuelve al modo de activación automática.</p>

** PW-301: El interruptor 9 no está en uso. PW-302: La posición predeterminada del interruptor 9 está en Activado para cumplir con los requisitos para los interruptores de dos niveles de la Comisión de Energía de California, Sección 24.

ESPECIFICACIONES

Voltajes 120/240/277 V CA, 50/60 Hz

Límites de carga para el relé 1:
 @120 V CA.... tungsteno de 1000 W, balasto, balasto electrónico, LED, 1/4 HP
 @240/277 V CAbalasto de 1200 W, balasto electrónico, LED, 1/4 HP

Límites de carga para el relé 2:
 @120 V CA..... tungsteno de 800 W, balasto, balasto electrónico, LED, 1/6 HP
 @240/277 V CAbalasto de 1200 W, balasto electrónico, LED, 1/6 HP

Ajuste del tiempo de retardo De 5 a 30 minutos

Modo de recorrido 3 minutos si no hay actividad después de 30 segundos

Modo de prueba 10 min. con 5 seg. de retardo de tiempo

Ajuste de PIR Alto o Bajo

Ajuste de nivel de luz 8 fc a 180+fc

Alertas Seleccionable audible y visual

Cable de señal Ambos modelos

Capacidad para múltiples vías Ambos modelos

N.º de modelo	Relé	Modo de encendido predeterminado	N.º de interruptor DIP	Configuración
PW-301	1	Manual Encendido	8	Activado
PW-302	1	Automático Encendido	8	Desactivado
	2	Manual Encendido	9	Activado

El modo de presentación

El modo de presentación es una función del modo de activación automática. Cuando ambos relés se apagan manualmente, el sensor PW mantiene las luces apagadas hasta que no se detecta movimiento durante la duración del tiempo de retardo. Con la ocupación subsiguiente, el PW enciende la carga. Si ambos relés están encendidos y uno de los relés se apaga manualmente, este relé permanece apagado hasta que el tiempo de retardo y la demora de reinicio transcurran para el relé que está encendido, luego de ese tiempo, se aplican de nuevo las configuraciones de control en Modo encendido.

Tiempo de retardo

El sensor PW mantiene la carga encendida hasta que no se detecta movimiento durante el tiempo de retardo seleccionado. Seleccione el tiempo de retardo mediante las configuraciones del interruptor DIP. En el PW-302, ambos relés usan el mismo retardo.

Prueba/20 min. (Interruptores DIP 1, 2 y 3 Desactivados)	Se configura un modo de prueba con una demora de tiempo breve de 5 segundos cuando los conmutadores selectores para bascular 1, 2 y 3 están Desactivados . Se cancela automáticamente después de diez minutos o cuando se configura un tiempo de retardo fijo. Cuando termina el modo de Prueba, el sensor asume un retardo de 20 minutos. Para volver a iniciar el modo de Prueba, cambie la configuración del tiempo de retardo a la cantidad fija que desee y, luego, vuélvala a la configuración de prueba.
Tiempo de retardo fijo (Interruptor DIP 1 Activado, 2 y 3 Desactivados)	Los tiempos de retardo son de 5, 10, 15, 20 (predeterminada), 25 o 30 minutos.

Recorrido

El modo de Recorrido acorta el tiempo de retardo para reducir la cantidad de tiempo en que la carga está encendida luego de un breve momento de ocupación como, por ejemplo, volver a la oficina para buscar algo que se olvidó y salir inmediatamente.

Modo de recorrido (Interruptor DIP 4 Activado)	El sensor DSW apaga la carga 3 minutos después que el área esté inicialmente ocupada, si no se detecta movimiento después de 30 segundos. Si el movimiento continúa por más de 30 segundos, se aplica el tiempo de retardo establecido.
Sin recorrido (Interruptor DIP 4 Desactivado)	Modo de recorrido deshabilitado. Configuración predeterminada.

Ajuste de sensibilidad infrarroja pasiva (PIR)

El sensor PW monitorea constantemente el entorno controlado y ajusta automáticamente el PIR para evitar las condiciones ambientales comunes que pueden causar falsas detecciones, al tiempo que proporciona una máxima cobertura.

Alta (Interruptor DIP 5 Desactivado)	Configuración predeterminada. Adecuada para la mayoría de las aplicaciones
Baja, 50% (Interruptor DIP 5 Activado)	Reduce la sensibilidad en aproximadamente un 50%. Útil en casos donde el PIR detecta movimiento fuera del área deseada (también considere enmascarar la lente) y donde las fuentes de calor causan una activación innecesaria.

Alertas

El sensor PW puede proporcionar alertas audibles y/o visibles como advertencias antes de que la carga se **apague**.

Alerta visible (Interruptor DIP 6 Activado)	Cuando solamente queda un minuto de tiempo de demora, la carga conectada al relé se apaga por un segundo. Esto produce una advertencia de un minuto antes de que las cargas se apaguen por el sensor.
Sin alertas visibles (Interruptor DIP 6 Desactivado)	No se proporcionan advertencias visibles. Configuración predeterminada.
Alertas audibles (Interruptor DIP 7 Activado)	La unidad emitirá señales sonoras a 1 minuto, 30 segundos y 10 segundos antes de apagar la carga. Cuando se activa el modo de Recorrido, la unidad emite una señal sonora tres veces a los 10 segundos antes de que la carga se apague . Configuración predeterminada. *Si la alerta visible también está activada, la señal sonora de advertencia que se emite al minuto de terminarse el tiempo es reemplazada por una alerta visible.
Sin alertas audibles (Interruptor DIP 7 Desactivado)	No se proporcionan advertencias audibles.

AJUSTES

Ajuste del sensor

Retire la placa de la pared. Quite la tapa del botón apretando firmemente los laterales superiores del botón de ensamble. Con cuidado, retírela de la unidad.

Cuando se completen los ajustes, vuelva a colocar la tapa del botón insertando sus bisagras en las pestañas de la unidad principal y, luego, apriete la parte superior del botón mientras lo presiona hacia la unidad. Vuelva a instalar la placa de cubierta.

Ajuste de nivel de luz

El nivel de luz se puede configurar con las cargas en posición de Encendido o Apagado. Para activar el control de nivel de luz y configurar el nivel mínimo:

1. Asegúrese de que la habitación esté correctamente iluminada.
2. Coloque el sensor en modo de PRUEBA (consulte los interruptores del tiempo de retardo). Tiene 10 minutos para completar el procedimiento.
3. Presione y mantenga presionado el botón de Encendido/Apagado (botón de relé 1 en el PW-302) durante 3 segundos, hasta que escuche el sonido.

- Aléjese del sensor. Luego de 10 segundos suena otra señal sonora indicando que el nivel mínimo está configurado. Este nivel mínimo se guarda, aun cuando se corta la energía, hasta que se vuelve a configurar o se le desactiva. En el PW-302, el control de nivel de luz solo afecta al relé 2.

Para desactivar el control de nivel de luz, presione y mantenga presionado el botón de relé 1 durante 7 segundos, hasta que escuche un sonido de tono doble.

Volver a la configuración predeterminada

Utilice las tablas de configuraciones del interruptor DIP que se encuentran en la página anterior para volver las funciones a las configuraciones de fábrica. Para restablecer el PW, presione y mantenga presionado el botón de relé 1 durante 10 segundos, hasta que escuche un tono de sonido triple. Esto vuelve a configurar el sensor y deshabilita el control de nivel de luz (la luz ambiente más brillante no mantendrá la luz Apagada).

DIAGRAMAS DE COBERTURA

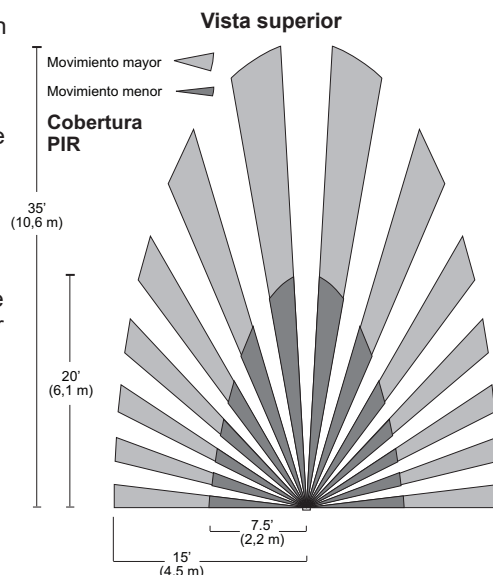
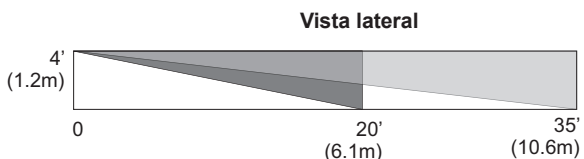
La prueba de cobertura se realizó de acuerdo con los lineamientos NEMA WD 7. Para un mejor desempeño, utilícelo en espacios no superiores a 4,5 x 3,6 m (15' x 12').

Sensor del PIR

El sensor tiene una lente Fresnel de vista multicelular de dos niveles con un campo visual de 180 grados. El LED rojo en el sensor se enciende intermitentemente cuando el PIR detecta movimiento.

Cómo enmascarar una lente

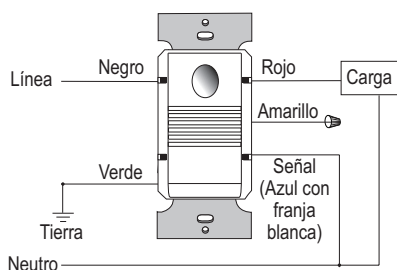
Se proporciona una cinta adhesiva opaca para que se puedan enmascarar secciones de las lentes del PIR. Esto le permite eliminar la cobertura en áreas no deseadas. Dado que el enmascaramiento quita franjas de cobertura, recuerde tener esto en cuenta al resolver problemas de cobertura.



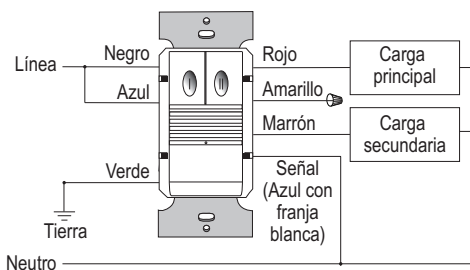
INSTALACIÓN

- Asegúrese de haber apagado la energía en el disyuntor.
- Conecte los cables a los conductores volantes del PW como se muestra en el diagrama de cableado apropiado para el modelo PW y el suministro eléctrico. **El cable a tierra (verde) debe conectarse a tierra para que el sensor funcione correctamente.**
- Adjunte el sensor a la caja de la pared mediante la inserción de tornillos en los dos orificios grandes que se encuentran en la parte superior e inferior del soporte metálico adjunto. Únalos con los orificios en la caja de pared y ajuste.
- Coloque el disyuntor en posición de Encendido. Espere un minuto, luego, presione el interruptor automático de Encendido/ Apagado para cada carga y las luces se encenderán. Hay una demora debido al encendido inicial del sensor que solamente ocurre durante la instalación.
- Pruebe y ajuste el sensor si es necesario.
- Instale la placa de cubierta decoradora del interruptor de pared estándar en la industria (no está incluida).

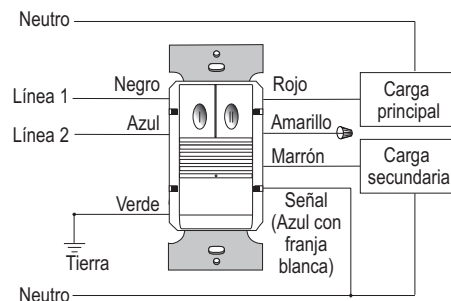
⚡ ADVERTENCIA: DESCONECTE LA ALIMENTACIÓN EN EL DISYUNTOR ANTES DEL CABLEADO. ⚡



Cableado de PW-301



PW-302 Cableado de dos niveles



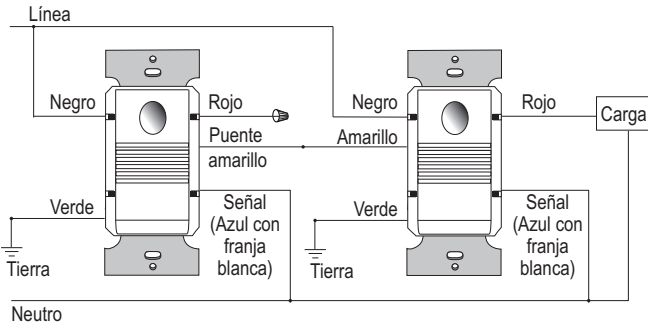
PW-302 Cableado de dos circuitos

El cable de señal (azul con franja blanca) se conecta al Neutro. Para una aplicación de reemplazo o actualización, se puede conectar a Tierra.

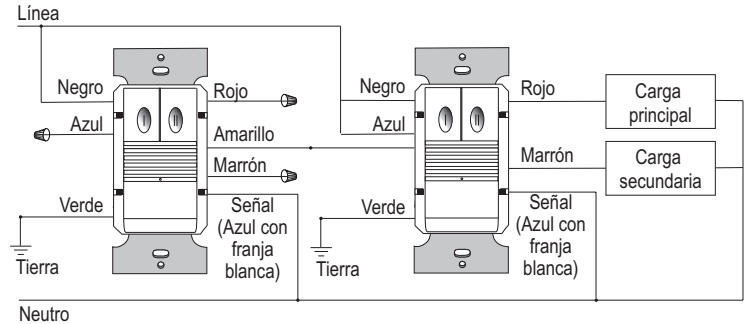
MÚLTIPLES VÍAS

La funcionalidad de múltiples vías está disponible en todos los modelos. Los sensores pueden cablearse fácilmente en conjunto para un control conveniente de una carga común. Cuando cablee de esta manera, solo utilice sensores de la serie 300. La función de múltiples vías en la serie 300 no es compatible con los modelos anteriores del sensor.

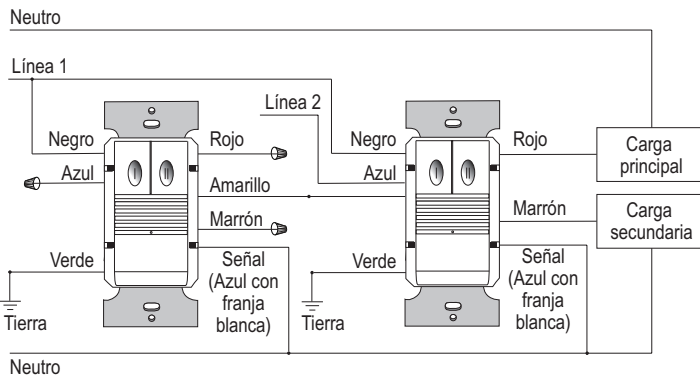
- En el modo de múltiples vías, se aplican los siguientes principios:
- Todas las unidades en el espacio deben estar cableadas utilizando la misma conexión al cable de señal.
- Todas las unidades pueden ver los eventos del botón pulsador de las otras y responder en forma acorde.
- Todas las unidades pueden ver el evento de activación de PIR de las otras. La respuesta quedará determinada por la configuración del nivel de luz y/o las condiciones del espacio del sensor de detección.
- El tiempo de retardo para todas las unidades está definida por la unidad con el menor tiempo de retardo.



**Cableado típico
(PW-301 – hasta 4 sensores)**



**Cableado de dos niveles
(PW-302 – hasta 4 sensores)**



Cableado en dos fases

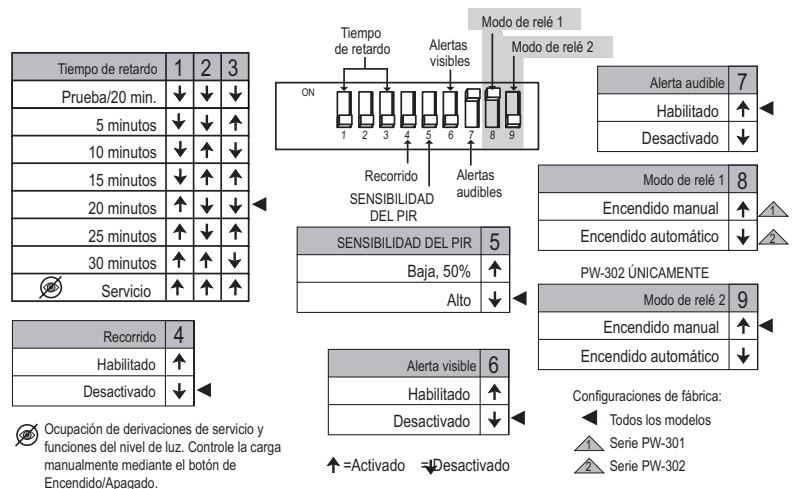
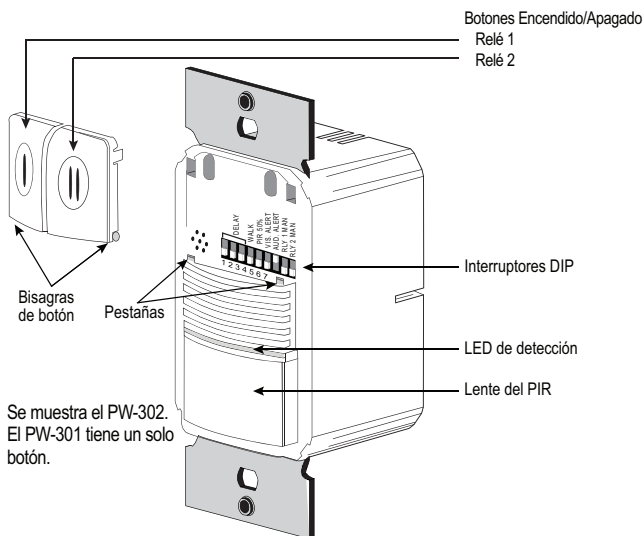
NOTA: El botón 1 de cualquier sensor controla la carga N.º 1 y el botón 2 de cualquier sensor controla la carga N.º 2.

MODOS DE FUNCIONAMIENTO DEL SENSOR

Sensor N.º 1	Sensor N.º 2	Accesorio de iluminación
Encendido automático	Encendido automático	La carga se activa y desactiva automáticamente según la detección de ocupación de cualquiera de los sensores. Los sensores mantienen la carga encendida hasta no detectar movimiento y usarán el tiempo de retardo del sensor con el valor menor. En cualquier momento, pueden encenderse y apagarse la luz mediante el botón de Encendido/Apagado de alguno de los sensores. Si la carga se apaga manualmente presionando uno de los botones de Encendido/Apagado, la unidad ingresará en el modo de presentación.
Encendido automático	Encendido manual*	La carga solo puede activarse automáticamente por el sensor establecido en modo de encendido automático. Los sensores mantienen la carga encendida hasta no detectar movimiento y usarán el tiempo de retardo del sensor con el valor menor. Existe una demora de reinicio de 30 segundos para el sensor establecido en modo de encendido manual o de reinicio instantáneo para el sensor establecido en modo de encendido automático. Una vez que transcurra la demora de reinicio, debe presionarse el botón de Encendido/Apagado del sensor establecido en modo de encendido manual para volver a activar la carga, a menos que el sensor establecido en modo de encendido automático detecte movimiento. Si la luz se apaga manualmente presionando el botón de Encendido/Apagado con el modo de encendido automático, ingresará en modo de presentación.
Encendido manual*	Encendido manual*	El ocupante debe presionar el botón de Encendido/Apagado en cualquiera de los sensores para encender la luz. Los sensores mantienen la carga encendida hasta no detectar movimiento y usarán el tiempo de retardo del sensor con el valor menor. Existe una demora de reinicio de 30 segundos, lo que significa que el ocupante tiene 30 segundos para ser detectado para que el sensor vuelva a encender la carga automáticamente. Una vez que transcurra la demora de reinicio, debe presionarse el botón de Encendido/Apagado de cualquiera de los sensores para volver a encender la carga.

* Si bien puede seleccionar esta configuración, no se recomienda hacerlo.

CONFIGURACIÓN DE LOS INTERRUPTORES DIP



SOLUCIÓN DE PROBLEMAS

Las luces no se encienden con el movimiento (el LED destella)

1. Presione y suelte cada botón para asegurarse de que se encienden las luces correctas para cada relé. Si las luces NO se encienden, verifique las conexiones de los cables, especialmente la conexión de la carga. Si las luces se encienden, verifique que se haya seleccionado el modo de encendido correcto en los interruptores DIP 8 y 9.
2. Verifique que el control de nivel de luz esté habilitado: cubra la lente del sensor con la mano. Si las luces se encienden, ajuste la configuración del nivel de luz.
3. Si las luces todavía no se encienden, llame al 800.879.8585 para obtener soporte técnico.

Las luces no se encienden con el movimiento (el LED no destella)

1. Presione y suelte cada botón para asegurarse de que se encienden las luces correctas para cada relé. Si las luces se encienden, verifique que la sensibilidad esté configurada en Alta.
2. Verifique las conexiones de cables; en especial, la conexión de línea. Verifique que las conexiones estén aseguradas firmemente.
3. Si las luces todavía no se encienden, llame al 800.879.8585 para obtener soporte técnico.

Las luces no se apagan

1. Puede haber un tiempo de retardo de hasta 30 minutos después de haber detectado el último movimiento. Para verificar que la operación sea apropiada, configure el interruptor DIP 1 en la posición de Activado; luego, reestablezca los interruptores 1, 2 y 3 en Desactivado para volver a iniciar el modo de Prueba. Aléjese de la vista del sensor. Las luces deben apagarse en aproximadamente 5 segundos.
2. Verifique que el sensor esté montado al menos a seis pies (2 metros) de distancia de cualquier dispositivo de aire acondicionado/ calefacción/ventilación que pueda causar una falsa detección. Verifique que no haya una fuente de calor importante (por ejemplo, bombilla de luz de alto voltaje) montada cerca del sensor.
3. Si las luces aún no se apagan, llame al 800.879.8585 para obtener soporte técnico.

Detección de movimiento fuera de las áreas deseadas

1. Seleccione la sensibilidad PIR: Baja (Interruptor DIP 5 = Activado) si es necesario.
2. Enmascare la lente del sensor PIR para eliminar el área de cobertura no deseada.

El LED rojo se apaga todo el tiempo y las características del sensor no funcionan.

1. Verifique los interruptores DIP 1, 2 y 3. Si están todos activados la unidad está en modo de servicio. Configure los interruptores DIP con una configuración de tiempo de retardo válida.
2. Si al volver a configurar los interruptores de tiempo de retardo no se activan las características del sensor, llame al soporte técnico.

PLACAS DE LA CUBIERTA

Los interruptores se pared serie PW de encajan detrás de las placas de cubierta de los interruptores con estilo de decoración estándares de la industria. No se incluyen las placas de la cubierta.

Las unidades vienen en los siguientes colores, que se indican con el sufijo final del número de catálogo (aquí se muestra entre paréntesis):

Blanco (-W), almendra claro (-LA), marfil (-I), gris (-G), negro (-B).

WARRANTY INFORMATION

Wattstopper warrants its products to be free of defects in materials and workmanship for a period of five (5) years. There are no obligations or liabilities on the part of Wattstopper for consequential damages arising out of, or in connection with, the use or performance of this product or other indirect damages with respect to loss of property, revenue or profit, or cost of removal, installation or reinstallation.

INFORMATIONS RELATIVES À LA GARANTIE

Wattstopper garantit que ses produits sont exempts de défauts de matériaux et de fabrication pour une période de cinq (5) ans. Wattstopper ne peut être tenu responsable de tout dommage consécutif causé par ou lié à l'utilisation ou à la performance de ce produit ou tout autre dommage indirect lié à la perte de propriété, de revenus, ou de profits, ou aux coûts d'enlèvement, d'installation ou de réinstallation.

INFORMACIÓN DE LA GARANTÍA

Wattstopper garantiza que sus productos están libres de defectos en materiales y mano de obra por un período de cinco (5) años. No existen obligaciones ni responsabilidades por parte de Wattstopper por daños consecuentes que se deriven o estén relacionados con el uso o el rendimiento de este producto u otros daños indirectos con respecto a la pérdida de propiedad, renta o ganancias, o al costo de extracción, instalación o reinstalación.