



Wattstopper®

Dual Technology 0–10 Volt Wall Switch Occupancy Sensor (version 2)

Interrupteur mural 0–10 Volt avec détecteur de mouvement à double technologie (v2)

Sensor de ocupación con interruptor de pared y tecnología doble de voltaje 0 a 10 (V2)

Installation Instructions • Instructions d'Installation • Instrucciones de Instalación

No: 26167 – 05/21 rev. 6

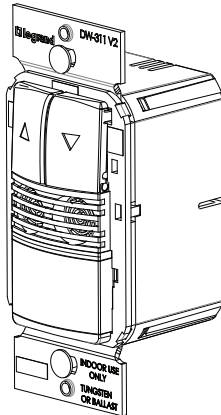
Catalog Numbers • Les Numéros de Catalogue • Números de Catálogo: DW-311/DW-311-347

Country of Origin: Made in China • Pays d'origine: Fabriqué en Chine • País de origen: Hecho en China

Models ending in -U are BAA and TAA compliant (Product produced in the U.S.)

DESCRIPTION AND OPERATION

The DW Dual Technology Multi-Way Wall Switch sensors combine advanced passive infrared (PIR) and ultrasonic technologies into one unit. The combined technologies help to eliminate false triggering even in difficult applications.



- The DW sensor has Multi-Way available on all models.
- A “walk-through” mode can turn lights off after only 3 minutes, if no activity is detected after 30 seconds following an occupancy detection.
- The DW-311 has one relay with dimming control capability and two buttons to allow control of the dimming.
- DW sensors contain a light level sensor. If adequate daylight is present, the sensor holds the load **OFF** until light levels drop, even if the area is occupied. See the **Light Level Adjustment** section.
- On loss of normal power to the DW-311, the 0-10V dimming control will open. Any light fed with a separate circuit but controlled by the unit's 0-10V signal will go to 100%.

SPECIFICATIONS

Voltages:

DW-311	120/277 VAC, 50/60 Hz
DW-311-347	347 VAC, 50/60 Hz

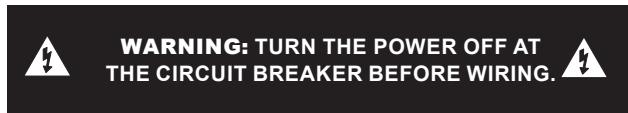
Load Limits:

@120 VAC.....	1000-W tungsten ballast, E-ballast, LED, 1/4 HP
@277 VAC	1200-W ballast, E-ballast, LED, 1/4 HP
@347 VAC	1500W ballast, LED, 1/4 HP

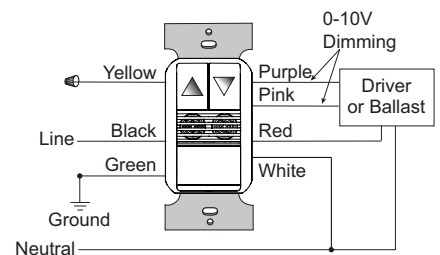
Time Delay Adjustment	3 to 30 minutes
Walk-Through Mode	3 minutes if no activity after 30 sec.
Test Mode	10 min. with 10-sec. time delay
PIR Adjustment.....	High or Low
Ultrasonic Adjustment.....	Minimum to Maximum (trimpot), Off
Alerts	Selectable Audible & Visual
Multi-Way Capability.....	All models
Terminal screw torque	16 lbf-in (18 kgf-cm)
High Trim.....	6 to 10V
Low Trim.....	0 to 4V
Ramp Up	1 to 10 seconds
Fade Down	2.5 to 30 seconds

INSTALLATION

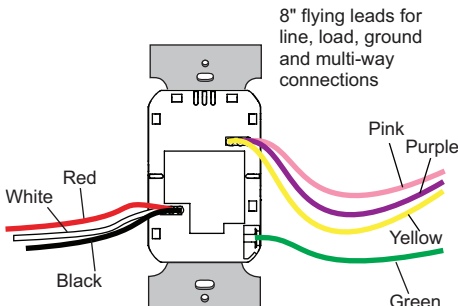
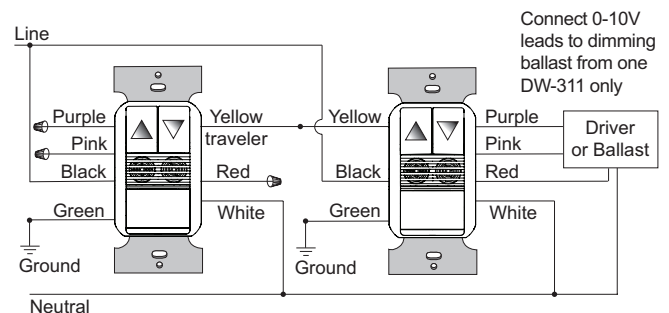
1. Make sure that the power has been turned OFF at the circuit breaker.
2. Connect wires to the DW flying leads as shown in the wiring diagram that is appropriate to the DW model and electrical supply. **The ground wire (green) must be fastened to ground for the sensor to work properly.**
3. Attach the sensor to the wall box by inserting screws into the two wide holes on the top and bottom of the attached metal bracket. Match them up with the holes in the wall box and tighten. **Do not use excessive force when installing the sensor into the wallbox.** Doing so can bend the mounting strap which can affect button operation.
4. Turn the circuit breaker **ON**. Wait one minute, then push the **Auto ON/OFF** switch and the lights will turn **ON**. There is a delay due to initial power-up of the sensor that only occurs during installation.
5. Test and adjust the sensor if necessary.
6. Install industry standard decorator wall switch cover plate (not included).



DW-311 and DW-311-347 Wiring



Typical Multi-Way Wiring (DW-311 or DW-311-347 up to 4 sensors)



#12 – #14 AWG Strip Gauge
1/2" 12.7mm
Cu Wire Only

NOTE: Per UL, the 0-10V negative dimming wire color has been changed from gray to pink.

WARNING: Grounding the purple and pink wires can damage the unit. Do not apply power to the sensor until all wires are connected or capped off if the driver is to be installed at a future time.

COVERAGE PATTERNS

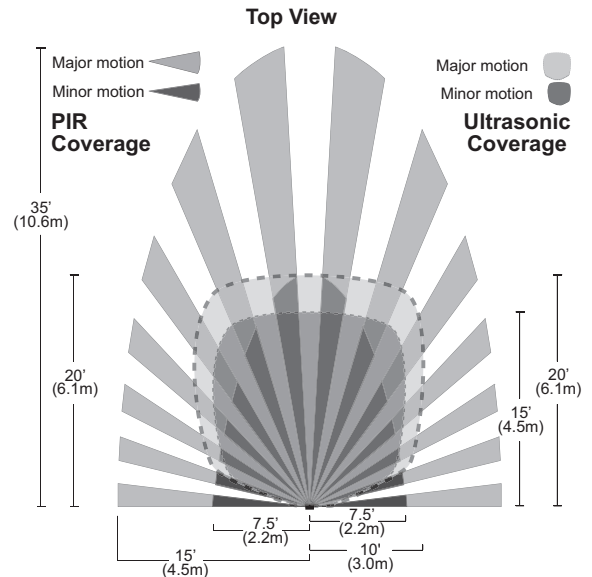
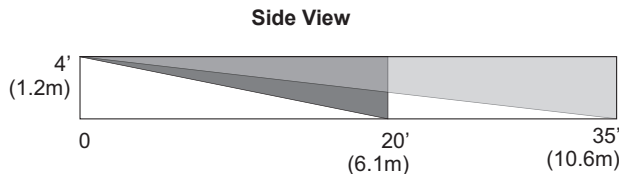
Coverage testing has been performed according to the NEMA WD 7 guideline. For best performance, use in spaces not larger than 15' x 12'.

PIR Sensor

The sensor has a two-tiered, multi-cell viewing Fresnel lens with 180 degree field of view. The red LED on the sensor flashes when the PIR detects motion.

Masking the lens

Opaque adhesive tape is supplied so that sections of the PIR sensor's view can be masked. This allows you to eliminate coverage in unwanted areas. Since masking removes bands of coverage, remember to take this into account when troubleshooting coverage problems.



MULTI-WAY

The Multi-Way capability is available on all models. Sensors can easily be wired together for convenient control of a common load. When wiring this way, only use DW-311 series sensors. Multi-Way in DW-311 series is not compatible with prior sensor models.

The following principles apply for Multi-Way:

- All units should be on the same phase.
- All units can sense each other's push button events and respond accordingly.
- All units can sense each other's PIR trigger event. The response will be determined by the Light Level setting and/or conditions of the space of the detecting sensor.
- The time delay for all units is defined by the unit with the smallest time delay.
- All Units can sense each other's dimming events and respond accordingly.

NOTE: Models with v2 cannot be used with non-v2 models for multi-way applications.

BUTTON FUNCTIONS

Pressing and holding the UP button will ramp the lights up to the maximum value as determined by the High Trim setting. Pressing and holding the DOWN button will dim the lights down to the minimum value as determined by the Low Trim setting. See **Additional Programming Features** for detail on setting the trim.

- Tapping the UP button when the load is OFF sets the load to the last non-zero value.
- Tapping the UP button when the load is ON sets the load to the maximum (high trim) value.
- Tapping the UP button twice when the load is OFF turns the load to its maximum (high trim) value.
- Tapping the DOWN button when the load is ON, turns the load OFF.

ADJUSTING THE SENSOR AND ACCESSING OTHER FEATURES

Remove the wall plate. Remove the button cap by firmly squeezing together the top sides of the button assembly. Gently pull it away from the unit.

When the adjustments are completed, replace the button cap by inserting its hinges into the tabs on the main unit and then squeeze the top of the button while pressing it into the unit. Reinstall the cover plate.

Turning the Load ON (ON Mode)

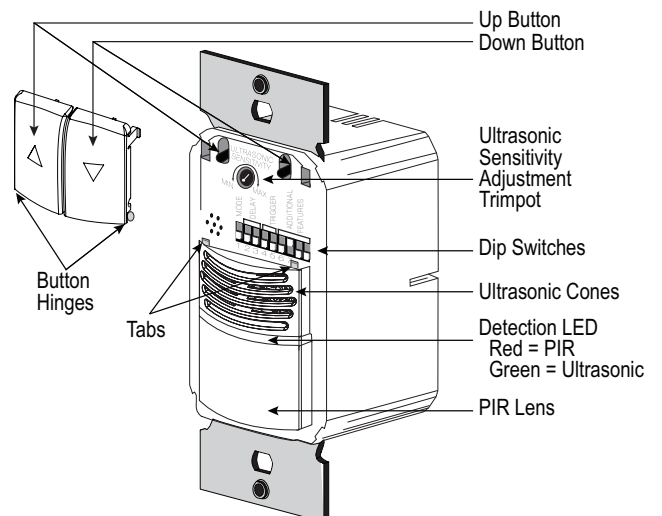
The relay is programmed for either **Auto ON** or **Manual ON**. In either mode, the load can be turned **ON** or **OFF** using the up and down buttons.

Manual ON

With DIP switch 1 in the **ON** position, the occupant must press the **Up** button to turn **ON** the load. The sensor keeps the load **ON** until no motion is detected for the selected time delay. There is a 30 second re-trigger delay. If occupancy is detected during the delay, the sensor turns the load back **ON**. After the re-trigger delay elapses the **Up** button must be pressed to turn **ON** the load.

Auto ON

With DIP switch 1 in the **OFF** position, the load turns **ON** and **OFF** automatically based on occupancy. There is a 5 second re-trigger delay. If the load is turned **OFF** manually, the enable/disable setting for Presentation Mode operation applies. See **Presentation Mode / Disable Presentation Mode** for details.



Time Delays

The DW-311 sensors hold the load **ON** until no motion is detected for the selected time delay. Select the time delay using DIP switches 2 and 3. Available time delays are 3, 5, 15, and 30 minutes.

When you set both DIP switches to the **OFF** position, the DW-311 enters Test Mode, and the delay is set to a short time delay of only 10 seconds. After 10 minutes, Test Mode cancels and the delay reverts to 3 minutes. Or, if you select a different value for either of the two time delay DIP switches, Test Mode cancels immediately and the delay is set to the time specified by the DIP switch values. Moving both switches back to **OFF** re-triggers Test Mode. See **DIP SWITCH SETTINGS** for specific setting values.

Trigger Mode

The DW sensor has four occupancy trigger options, set with DIP switches 4 and 5. Determine the appropriate option using the Trigger matrix. In the Trigger Mode DIP switch setting table, in order to deem the area occupied:

- Both requires motion detection by the PIR and the Ultrasonic.
- Either requires motion detection by only one technology.
- PIR requires motion detection by the PIR.

Initial Occupancy: The method that activates a change from “Standby” (area unoccupied and load off) to “Occupied” (area occupied and load may turn ON).

Maintain Occupancy: The method indicating that the area is still occupied and the lights should remain ON.

Re-trigger: In Auto On Mode, after the load turns off, detection by the selected technology within 5 seconds turns the lights back ON. If the load was configured as Manual ON, the re-trigger time is 30 seconds.

ADDITIONAL PROGRAMMABLE FEATURES

DIP Switches 6 through 9 provide access to a number of additional features. Each feature is selected by choosing a unique combination of the DIP switches. Once you select the specific values, the red LED will blink, indicating you are in Setup Mode. While in Setup Mode, the green LED blinks distinctively—once, twice, three times, or four times—to indicate the current value for that feature.

To change the current setting of the selected feature, **press and release** the **UP** or **DOWN** buttons. The current value for the feature will advance to the next available higher or lower value. For example, if the green LED is blinking once, if you press and release **UP** once, it will blink twice. If you press and release **UP** again, it will blink three times. Press and release the **DOWN** button to select a lower blink value.

NOTE: For the **High and Low Trim** features, **press and hold** the **UP** or **DOWN** buttons till the light is at the desired trim level. The **Light Level Adjustment** feature has its own specific method for changing the value. See that section for details.

Once programming is complete, return all four DIP switches to the **OFF** value. The DW-311 exits Setup Mode, saves the current values for each feature, and resumes normal operation. The saved values are remembered in the event of a power loss.

NOTE: After 10 minutes, the DW-311 will exit Setup Mode even if the four DIP switches are not returned to the OFF value. This prevents the DW-311 from being left in Setup Mode unintentionally. In this case, any changes will not be saved and the unit will revert to its previous settings.

Following is a description of the additional programmable features. See the **DIP SWITCH SETTINGS** section, for a table showing the switch combinations for each feature, as well as the specific values indicated by the blinking green LED.

Alerts

The DW can provide audible and/or visible alerts as a warning before the load turns OFF. By default, visible alert is disabled and audio alert is enabled.

Visible Alert

When only one minute is left in the time delay, the load connected to the relay turns OFF for one second. This provides a one minute warning before the load(s) are turned OFF by the sensor.

Audible Alert

Unit will beep at one minute, at 30 seconds and at 10 seconds before turning OFF load. When Walk-Through is active, the unit beeps three times at 10 seconds before the load goes OFF.

NOTE: If Visible Alert is also ON, the one-minute time-out warning beep is replaced by the visible alert.

Walk-Through

The Walk-Through mode shortens the time delay to reduce the amount of time the load is **ON** after a brief moment of occupancy, such as returning to an office to pick up a forgotten item then immediately exiting. If Walk-Through Mode is turned **ON**, the DW sensor turns the load **OFF** three minutes after the area is initially occupied, if no motion is detected after the first 30 seconds. If motion continues beyond the first 30 seconds, the set time delay applies. Walk-Through Mode is **OFF** by default.

PIR Sensitivity Adjustment

The DW sensor constantly monitors the controlled environment and automatically adjusts the PIR to avoid common ambient conditions that can cause false detections, while providing maximum coverage. You can also manually select a sensitivity value. The default is **High**, which is suitable for most applications. A value of **Low** reduces sensitivity by approximately 50%. This is useful in cases where the PIR is detecting movement outside of the desired area (you may also be able to address this by masking the lens) and where heat sources cause unnecessary activation.

High and Low Trim

You can adjust the maximum and minimum dimming amounts by adjusting the High and Low Trim (each trim value is adjusted separately). By default, the values are set at **100%** (10V) for High Trim and **OFF** (0V) for Low Trim. If set to Manual Adjustment, press the Up or or Down buttons to set the parameters to the desired level.

Ramp Up and Fade Down Time

You can adjust the amount of time it takes to Ramp Up from the Low Trim value to the High Trim value when motion is detected, or Fade Down from High Trim to Low Trim after no motion is detected and the time delay has expired. The available values for ramp up are 1 (default), 2½, 5, and 10 seconds. Available values for fade down are 2½ (default), 5, 15, and 30 seconds.

NOTE: The ramp up time will be scaled if the Preset On Level is anything less than the High Trim amount. For example, if the Low Trim is set to 0V and High Trim is set to 10V (the defaults) and the Ramp Up Time is set to 10 seconds, that is one volt per second. If the Preset On Level is set to Last Non-Zero Value and the on value was previously at 6V, then it will take 6 seconds to ramp up, since it is one volt per second.

NOTE: These parameters do **not** affect the time to ramp up or fade down when pressing the Up or Down buttons to raise or lower the light level. Instead, this is always set to 2 volts per second. So going from 0–10 volts when pressing the Up button will always take 5 seconds.

Light Level Adjustment

This feature allows you to set a light level threshold, which determines how the DW-311 will respond based on the ambient light level. This function is available only when the DW-311 is set for **Auto ON**.

There are two modes of Light Level Adjustment. In the **Standard** mode, you set a fixed threshold. The load will not turn **ON** automatically until the ambient light drops below that threshold.

In the **Smart Light Level** mode, the DW-311 sets an initial threshold. Then, if the occupant turns the load on manually when the current light level is at or above that threshold, that means the occupant requires more lighting and therefore the current threshold is too low. The DW-311 will then automatically raise the threshold by a specific amount (so that the load will now turn on automatically at a higher ambient light level than was originally set). Conversely, if the occupant turns the load **OFF** after it has been turned on automatically, the occupant requires less lighting and therefore the threshold is lowered. Note that the load must be turned completely **OFF** in order for the threshold to change—dimming the load to a lower amount of light will not change the threshold.

To enable light level control and set the threshold:

1. Make sure the room is lit appropriately.
2. Set DIP switches 6–9 to the position needed to access this feature (Up, Down, Down, Up).
3. Press and release the **UP** button, so that the green LED blinks twice, if you are selecting the **Standard** mode. Press and release the **UP** button again, so that the green LED blinks three times, if you are selecting **Smart Light Level** mode.
4. Set the four DIP switches so that they are all in the Down position.
5. Step away from the sensor. After 10 seconds, the unit will beep twice indicating that the threshold level is set. This threshold is retained, even if power is lost, until it is reset or disabled.

To disable light level control, set the DIP switches to access this feature, then press and release the **DOWN** button until the green LED blinks once. Return the DIP switches so that they are all in the Down position.

Power Loss Mode

This mode determines how the load will be set when power is returned after a power loss. There are three possible settings.

- **Keep Last State** – The load returns to the same state as before the power failure (**ON** or **OFF**). If it was previously **ON**, the load will return to the most recent dimming level, and if it was previously **OFF**, it will remain **OFF**. If the load was previously **ON** and the room is now unoccupied, the load will turn **OFF** once vacancy is detected. This is the default.
- **Fail On** – The load will turn **ON** at 100% level after power is restored, no matter whether the load was on or off before power loss. If the room is now unoccupied, the load will turn **OFF** once vacancy is detected.
- **Fail Off** – The load stays off after power is restored.

NOTE: If wiring multiple DW-311s together for Multi-Way control, be sure that all sensors are set to the same Power Loss Mode setting, or inconsistent behavior between the switches can occur.

Presentation Mode / Disable Presentation Mode

Presentation Mode is a feature of the **Auto ON** mode. When the relay is manually turned **OFF**, the DW holds the lights **OFF** until no motion has been detected for the duration of the Time Delay. With subsequent occupancy, the DW turns the load **ON**. By default, Presentation Mode is enabled.

When Presentation Mode is disabled and the relay is manually turned **OFF**, the sensor will not retrigger load **ON** until the room is determined to be vacant for a 15 second period. Following that 15 second time delay, the load will retrigger with Auto-On functionality. This feature is intended for use in transient spaces or rooms such as bathrooms, where you always want the load to turn **ON** as soon as occupancy is detected.

Service Mode

In Service Mode, the occupancy sensor and light level functions are temporarily disabled. The button will still turn the load **ON** and **OFF**.

Preset On Level

If **Auto On** is selected, the value of this feature determines the dimming level that the load will go to when turned **ON** by occupancy detection. Available values are the most recent (non-zero) amount (the default), 50%, 75%, or 100%.

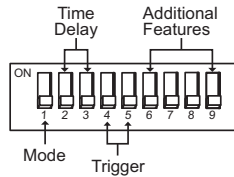
Non-Dim Mode

This feature changes the buttons so that they function as simple on/off switches, with no dimming. The **UP** button turns the load **ON** and the **Down** button turns it **OFF**. This feature is turned off by default.

Reset to Factory Default

Press and hold the Up or Down button for **5 seconds**. The green LED will flash 3 times to indicate the reset is complete. Return the DIP Switches 6–9 to the OFF state. This resets the sensor and disables light level control (the brightest ambient light will not hold the light **OFF**).

DIP SWITCH SETTINGS



Mode	1
Manual - On	↑
Auto - On	↓

↑=ON ↓=OFF

Time Delay	2	3
Test/3 min	↓	↓
5 minutes	↓	↑
15 minutes	↑	↓
30 minutes	↑	↑

Trigger Mode	Initial Occupancy	Maintain Occupancy	Re-trigger	4	5
Standard	Both	Either	Either	↓	↓
Option A	PIR	Either	Either	↓	↑
Option B	PIR	PIR	PIR	↑	↓
Option C	Both	Both	Both	↑	↑

Default Values Shown in **Bold**

Additional Features	6	7	8	9	Green LED # of Blinks
Exit Programming Mode	↓	↓	↓	↓	
Visual Alert	↓	↓	↓	↑	1=OFF, 2=ON
Audio Alert	↓	↓	↑	↓	1=ON, 2=OFF
Walk-Thru	↓	↓	↑	↑	1=OFF, 2=ON
PIR Sensitivity	↓	↑	↓	↓	1=100%, 2=50%
High Trim	↓	↑	↓	↑	1=10V, 2=Manual Adjustment
Low Trim	↓	↑	↑	↓	1=0V, 2=Manual Adjustment
Ramp Up Time	↓	↑	↑	↑	1=1, 2=2.5, 3=5, 4=10s
Fade Down Time	↑	↓	↓	↓	1=2.5, 2=5, 3=15, 4=30s
Light Level Adjust	↑	↓	↓	↑	1=Disable, 2=Enable, 3=Smart Light Level
Power Loss Mode	↑	↓	↑	↓	1=Keep Last State, 2=Default On, 3=Default Off
Presentation Mode	↑	↓	↑	↑	1=ON, 2=OFF
Service Mode	↑	↑	↓	↓	1=OFF, 2=ON
Preset On Level	↑	↑	↓	↑	1=Last Non-Zero Value, 2=50%, 3=75%, 4=100%
Non-Dim Mode	↑	↑	↑	↓	1=OFF, 2=ON
Reset To Default	↑	↑	↑	↑	Press and Hold UP or DOWN for 5 seconds

TROUBLESHOOTING

Lights do not turn ON with motion (LED does flash)

1. Press and hold the **UP** button to make sure that the correct lights come **ON**. If the lights do **NOT** turn **ON**, check wire connections, especially the Load connection. If the lights turn **ON**, verify that the correct **On Mode** is selected with DIP switch 1.
2. Check to see if light level control is enabled: cover the sensor lens with your hand. If the lights come **ON**, adjust the light level setting.
3. If lights still do not turn **ON**, call 800.879.8585 for technical support.

Lights do not turn ON with motion (LED does not flash)

1. Press and hold the **UP** button to make sure that the correct lights come **ON**. If the lights turn **ON**, verify that Sensitivity is on High.
2. Check the wire connections, in particular, the Line connection. Verify that connections are tightly secured.
3. If lights still do not turn **ON**, call 800.879.8585 for technical support.

Lights do not turn OFF

1. There can be up to a 30 minute time delay after the last motion is detected. To verify proper operation, set switches 2 and 3 to **OFF** to start Test Mode. Move out of view of the sensor. The lights should turn **OFF** in approximately 10 seconds.
2. Verify that the sensor is mounted at least six feet (2 meters) away from any heating/ventilating/air conditioning device that may cause false detection. Verify that there is no significant heat source (e.g., high wattage light bulb) mounted near the sensor.
3. If the lights still do not turn **OFF**, call 800.879.8585 for technical support.

Sensing motion outside desired areas

1. Mask the PIR sensor's lens to eliminate unwanted coverage area.
2. Select PIR Sensitivity. See **PIR Sensitivity Adjustment** and **DIP Switch Settings**.

Red LED is OFF all the time and the sensor features don't work.

1. Double check the setting for Service Mode to see if it is turned **ON**. If so, turn it **OFF**. Also check the setting of the Time Delay function. See the section on **DIP Switch Settings**.
2. If the problem still exists, call technical support.

COVER PLATES

WattStopper DW series wall switches fit behind industry standard decorator-style switch cover plates. Cover plates are not included. Units come in the following colors, which are indicated by the final suffix of the catalog number (shown here in parentheses):

- White (-W)
- Gray (-G)
- Ivory (-I)
- Light Almond (-LA)
- Black (-B)
- Red (-R)

DESCRIPTION DE L'APPAREIL

Les détecteurs interrupteurs muraux multiples à double technologie DW allient les technologies de l'infrarouge passif (IRP) et des ultrasons en une seule unité. L'alliance de ces technologies permet d'éviter tout déclenchement intempestif, même pour les applications complexes.

- Le détecteur DW possède également une fonction de multi-voies disponible sur tous les modèles.
- Le mode « passage » permet d'éteindre les lumières après seulement 3 minutes si aucun mouvement n'est détecté dans les 30 secondes suivant la détection d'une présence.
- Le DW-311 possède un relais avec capacité de contrôle de la gradation et deux boutons permettant de contrôler la gradation.
- Les détecteurs DW contiennent un détecteur du niveau de luminosité. Si la lumière naturelle est suffisamment forte, le détecteur maintient la charge **COUPÉE** jusqu'à ce que le niveau de luminosité baisse, même lorsqu'une présence est détectée dans la zone. Consultez la section **Réglage du niveau de luminosité**.
- En cas de perte d'alimentation normale du DW-311, la commande de gradation 0-10 V s'ouvre. Tout éclairage alimenté par un circuit séparé mais contrôlé par le signal 0-10 V de l'unité passera à 100%.

CARACTÉRISTIQUES TECHNIQUES

Tensions :

DW-311	120/277 V c.a., 50/60 Hz
DW-311-347	347 V c.a., 50/60 Hz

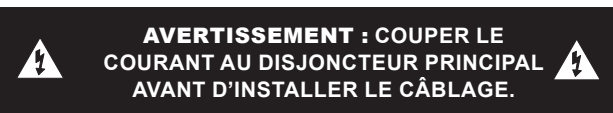
Charge nominale :

à 120 V c.a.	ballast tungstène 1000 W, ballast électronique, DEL, 1/4 HP
à 277 V c.a.	ballast 1 200 W, ballast électronique, DEL, 1/4 HP
à 347 V c.a.	ballast 1500 W, DEL, 1/4 HP

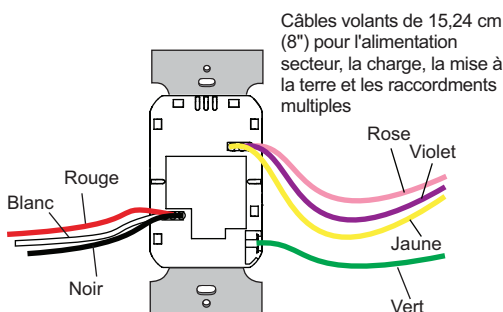
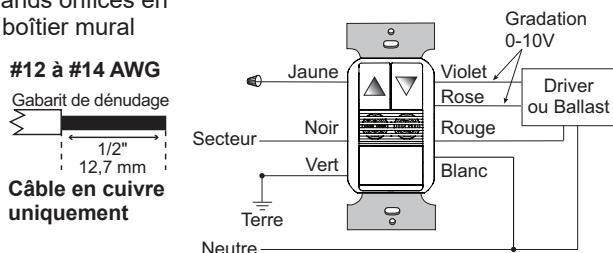
Réglage de la temporisation.....	de 3 à 30 minutes
Mode passage.....	3 minutes si aucune activité après 30 s
Mode test.....	10 min avec 10 s de temporisation
Réglage IRP	Élevé ou faible
Réglage des ultrasons	Minimum à maximum (potentiomètre), coupé
Alarmes	sonore et/ou visuelle, au choix
Funcionnalité de multi-voies.....	Tous modèles
Couple de serrage des bornes.....	1,8 N m (16 lbf.in)
Niveau maximum.....	de 6 à 10 V
Niveau minimum.....	de 0 à 4 V
Augmentation lumineuse.....	de 1 à 10 secondes
Diminution lumineuse.....	de 2,5 à 30 secondes

INSTALLATION

1. Assurez-vous que le courant a bien été **COUPÉ** au niveau du disjoncteur.
2. Raccordez les fils aux câbles volants du DW comme illustré dans le schéma de câblage correspondant à votre modèle de DW et à votre alimentation électrique. **Le fil de terre (vert) doit être relié à la terre pour que le détecteur puisse fonctionner correctement.**
3. Fixez le capteur sur le boîtier mural en insérant des vis dans les deux grands orifices en haut et en bas du support métallique. Placez-les en face des orifices du boîtier mural puis serrez. **N'utilisez pas une force excessive lors de l'installation du détecteur dans la boîte.** Cela risquerait de plier le support de montage, ce qui pourrait affecter le fonctionnement du bouton.
4. **ENCLENCHEZ** le disjoncteur de circuit. Attendez une minute, puis appuyez sur l'interrupteur **MARCHE / ARRÊT automatique** et les lumières **S'ALLUMERONT**. Il existe une latence due à la mise sous tension initiale du capteur qui ne se produit que lors de l'installation.
5. Testez et réglez le capteur si nécessaire.
6. Montez le cache d'interrupteur mural Decorator normalisé (non fourni).



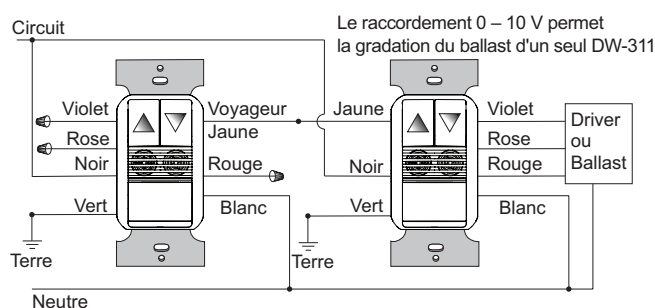
Câblage des DW-311 et DW-311-347



REMARQUE: Selon UL, la couleur du fil de gradation négative 0-10V est passée du gris au rose.

Avvertissement: La mise à la terre des fils Violet et Rose peut endommager l'unité. N'appliquez pas d'alimentation au détecteur tant que TOUS les fils ne sont pas connectés ou obturés si le driver doit être installé ultérieurement.

Multi-voies câblage standard
(DW-311 ou DW-311-347, jusqu'à 4 détecteurs)



MULTI-VOIES

La fonction de multi-voies est disponible sur tous les modèles. Les détecteurs peuvent facilement être connectés les uns aux autres pour le contrôle pratique d'une même charge. Si vous effectuez ce type de câblage, utilisez uniquement des détecteurs de la série DW-311. La fonction de multi-voies des détecteurs de la série DW-311 est incompatible avec les modèles plus anciens.

Les principes suivants s'appliquent aux multi-voies :

- Toutes les unités doivent être sur la même phase.
- Toutes les unités peuvent détecter les événements des boutons poussoirs des autres unités et réagir en conséquence.
- Toutes les unités peuvent détecter entre elles les IRP et les déclenchements ultrasons. Elles réagiront en fonction du réglage du niveau de luminosité et/ou des conditions de l'environnement du détecteur.
- La temporisation de toutes les unités est définie par l'unité possédant la temporisation la plus courte.
- Toutes les unités peuvent détecter les événements de gradation des autres unités et réagir en conséquence.

NOTE: Les modèles avec v2 ne peuvent pas être utilisés avec les modèles non-v2 pour les applications multi-voies.

PORTÉE

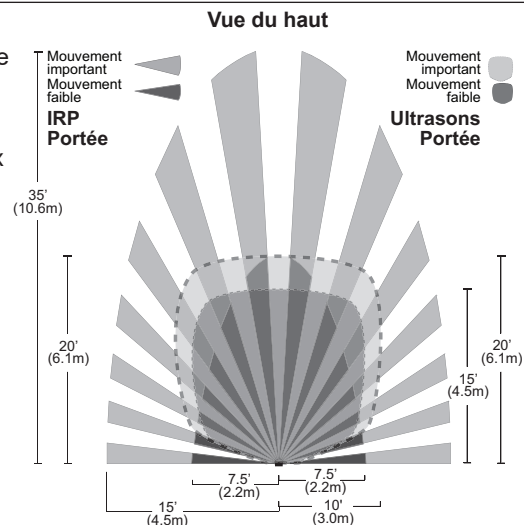
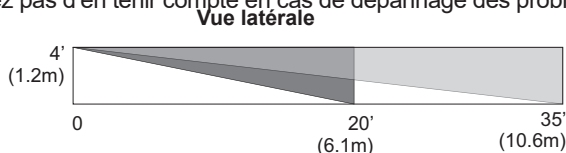
Le test de portée a été réalisé conformément à la norme NEMA WD 7. Pour un fonctionnement optimal, n'utilisez pas le détecteur dans des espaces dont la superficie est supérieure à 4,6 m x 3,6 m (15' x 12').

Détecteur IRP

Le détecteur dispose d'une lentille Fresnel de visualisation à multiples cellules et deux niveaux avec un champ de vision à 180 degrés. La DEL rouge du détecteur clignote lorsque l'IRP détecte un mouvement.

Obstruction de la lentille

Un ruban adhésif opaque est fourni de manière à permettre l'obstruction de certaines zones du champ de vision du capteur IRP. Cette opération vous permet d'éliminer la portée dans des zones non souhaitées. Étant donné que cette obstruction diminue la portée, n'oubliez pas d'en tenir compte en cas de dépannage des problèmes de portée.



FONCTIONS DES BOUTONS

Le fait de maintenir le bouton HAUT enfoncé permet d'augmenter la lumière jusqu'à la valeur maximale définie à l'aide du paramètre Niveau maximum. Le fait de maintenir le bouton BAS enfoncé permet de réduire la lumière jusqu'à la valeur minimale définie à l'aide du paramètre Niveau minimum. Consultez la section **Fonctionnalités programmables supplémentaires** pour plus d'informations sur le paramétrage du niveau.

- Le fait d'appuyer sur le bouton HAUT lorsque la charge est COUPÉE règle la charge sur la dernière valeur différente de zéro.
- Le fait d'appuyer sur le bouton HAUT lorsque la charge est ACTIVÉE règle la charge sur la valeur maximale (niveau maximum).
- Le fait d'appuyer deux fois sur le bouton HAUT lorsque la charge est COUPÉE règle la charge sur la valeur maximale (niveau maximum).
- Le fait d'appuyer sur le bouton BAS lorsque la charge est ACTIVÉE a pour effet de COUPER la charge.

RÉGLAGE DU DÉTECTEUR ET ACCÈS AUX FONCTIONNALITÉS SUPPLÉMENTAIRES

Retirez la plaque murale. Retirez le cache des boutons en serrant fermement et simultanément les parties supérieures de l'assemblage des boutons. Retirez-le doucement de l'appareil.

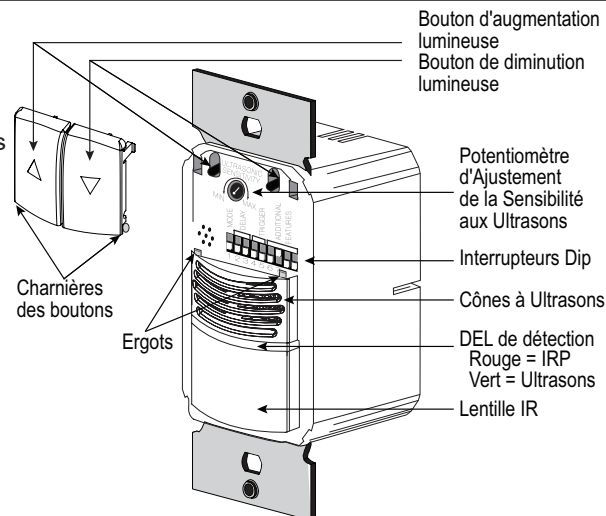
Une fois les réglages terminés, reposez le cache des boutons en insérant ses charnières dans les ergots de l'unité principale, puis serrez les parties supérieures des boutons tout en le poussant dans l'unité. Reposez la plaque murale.

ACTIVATION de la charge (mode MARCHÉ)

Le relais peut être programmé sur **MARCHE automatique** ou **MARCHE manuelle**. Dans chacun de ces modes, la charge peut être **ACTIVÉE** ou **COUPÉE** à l'aide des boutons Haut et Bas.

MARCHE manuelle

Lorsque l'interrupteur DIP 1 est placé sur **ON**, la personne présente doit appuyer sur les boutons **Haut / Bas** pour **ACTIVER** la charge. Le détecteur maintient la charge **ACTIVE** jusqu'à ce que plus aucun mouvement ne soit détecté pendant la temporisation sélectionnée. Il existe un délai de re-déclenchement de 30 secondes. Si une présence est détectée pendant ce délai, le détecteur **ACTIVE** de nouveau la charge. À la fin du délai de re-déclenchement, il est nécessaire d'appuyer sur les boutons **Haut / Bas** pour **ACTIVER** la charge.



MARCHE automatique

Lorsque l'interrupteur DIP 1 est placé sur **OFF**, la charge est **ACTIVÉE** ou **COUPÉE** automatiquement en fonction de la présence. Il existe un délai de re-déclenchement de 5 secondes. Si la charge est **COUPÉE** manuellement, le paramètre activer / désactiver le fonctionnement en mode présentation s'applique. Consultez la section **Mode présentation / Désactiver le mode présentation** pour plus d'informations.

Temporisations

Le détecteur DW maintient la charge **ACTIVE** jusqu'à ce qu'aucun mouvement ne soit détecté pendant la temporisation sélectionnée. Sélectionnez la temporisation à l'aide des interrupteurs DIP 2 et 3. Les durées de temporisation disponibles sont 3, 5, 15 et 30 minutes.

Si vous placez les deux interrupteurs DIP sur **OFF**, le DW-311 passe en mode test et la temporisation est réglée sur seulement 10 secondes. Après 10 minutes, le mode test est annulé et la temporisation est redéfinie sur 3 minutes. Toutefois, si vous avez sélectionné une valeur différente pour l'un des deux interrupteurs DIP de temporisation, le mode test est annulé immédiatement et la temporisation est réglée sur la durée spécifiée grâce aux valeurs des interrupteurs DIP. Lorsque les deux interrupteurs sont replacés sur **OFF**, le mode test est à nouveau déclenché. Consultez la section **RÉGLAGES DES INTERRUPTEURS DIP** pour obtenir les valeurs de paramétrage spécifiques.

Mode déclenchement

Le détecteur DW dispose de quatre options de déclenchement de présence, reliées aux interrupteurs DIP 4 et 5. Choisissez l'option qui vous convient à l'aide de la matrice de déclenchement.

Dans le tableau de réglage du mode déclenchement de l'interrupteur DIP, pour juger de la zone de présence :

- Les deux nécessitent une détection de mouvements par l'IRP et les ultrasons.
- L'un ou l'autre nécessite une détection de mouvements par une seule technologie.
- IRP nécessite une détection de mouvements par l'IRP.

Présence initiale : la méthode qui active un changement de « Veille » (zone non occupée et charges coupées) à « Occupé » (zone occupée et la charge peut s'activer).

Maintien de la présence : méthode qui indique que la zone est toujours occupée et que les lumières doivent rester ALLUMÉES.

Re-déclenchement : En mode MARCHE automatique, une fois que la charge est coupée, la détection par la technologie sélectionnée va permettre de rallumer les lumières dans les 5 secondes. Si la charge a été configurée en marche manuelle, le délai de re-déclenchement est de 30 secondes.

FONCTIONNALITÉS PROGRAMMABLES SUPPLÉMENTAIRES

Les interrupteurs DIP 6 à 9 permettent d'accéder à un certain nombre de fonctionnalités supplémentaires. Chaque fonctionnalité est sélectionnée grâce à une combinaison unique des interrupteurs DIP. Lorsque vous sélectionnez les valeurs spécifiques, la DEL rouge clignote pour indiquer que vous êtes en mode réglage. Dans le mode réglage, la DEL verte clignote de manière distinctive (une, deux, trois ou quatre fois) pour indiquer la valeur actuelle pour la fonctionnalité sélectionnée.

Afin de modifier le paramétrage actuel de la fonctionnalité sélectionnée, **enfoncez puis relâchez** le bouton **HAUT** ou **BAS**. La valeur actuelle de la fonctionnalité passera à la valeur supérieure ou inférieure suivante. Par exemple, si la DEL verte clignote une fois et que vous enfoncez puis relâchez le bouton **HAUT** une fois, la DEL clignotera deux fois. Si vous enfoncez puis relâchez de nouveau le bouton **HAUT**, la DEL clignotera trois fois. Enfoncez puis relâchez le bouton **BAS** pour sélectionner une valeur de clignotement inférieure.

NOTE: Pour paramétrer les fonctionnalités **niveaux maximum et minimum**, **maintenez** le bouton **HAUT** ou **BAS** enfoncé jusqu'à ce que la lumière atteigne le niveau souhaité. La valeur de la fonctionnalité de **réglage du niveau de luminosité** doit être modifiée grâce à une méthode spécifique. Consultez la section correspondante pour plus d'informations.

Une fois la programmation terminée, remplacez les quatre interrupteurs DIP sur **OFF**. Le DW-311 quitte alors le mode réglage, sauvegarde les valeurs actuelles pour chaque fonctionnalité et reprend son fonctionnement normal. Les valeurs sauvegardées sont conservées en cas de coupure de l'alimentation.

NOTE: Le DW-311 quittera le mode réglage après 10 minutes même si les quatre interrupteurs DIP ne sont pas replacés sur OFF. Cela évite que le DW-311 demeure involontairement en mode réglage. Le cas échéant, les éventuels changements ne sont pas sauvegardés et l'unité conservera ses paramètres précédents.

Une description des fonctionnalités programmables supplémentaires est fournie ci-après. Un tableau contenant les combinaisons d'interrupteurs pour chaque fonctionnalité ainsi que les valeurs spécifiques indiquées par la DEL verte clignotante est disponible à la section **RÉGLAGES DES INTERRUPTEURS DIP**.

Alarmes

Le DW est doté d'alarmes sonores et/ou visuelles avertissant de la COUPURE imminente de la charge. Par défaut, l'alarme visuelle est désactivée et l'alarme sonore est activée.

Alarme visuelle

Lorsqu'il ne reste qu'une minute de temporisation, la charge connectée au relais se **DÉSACTIVE** pendant une seconde. Cette action constitue un avertissement une minute avant la COUPURE de la/des charge(s) par le détecteur.

Alarmes sonores

L'unité émettra un bip une minute, 30 secondes et 10 secondes avant la COUPURE de la charge. Lorsque le mode passage est activé, l'unité émet trois bips 10 secondes avant la COUPURE de la charge.

NOTE: Si l'alarme visuelle est également **ACTIVÉE**, le bip d'avertissement une minute avant la fin du délai est remplacé par l'alarme visuelle.

Mode passage

Le mode passage raccourcit la temporisation pour réduire le délai d'**ACTIVATION** de la charge après une brève présence, telle qu'un retour au bureau pour récupérer un objet oublié suivi d'une sortie immédiate. Si le mode passage est **ACTIVÉ**, le capteur DW **COUPE** la charge trois minutes après la première détection de présence si aucun mouvement n'est détecté au bout des 30 premières secondes. Si le mouvement se poursuit au-delà des 30 premières secondes, la temporisation paramétrée s'applique. Le mode passage est **DÉSACTIVÉ** par défaut.

Réglage de la sensibilité de l'IRP

Le détecteur DW surveille en permanence l'environnement contrôlé et règle automatiquement l'IRP pour éviter des conditions ambiantes courantes susceptibles de provoquer de fausses détections, tout en couvrant une portée maximale. Vous pouvez également sélectionner manuellement une valeur de sensibilité. Par défaut, la valeur est définie sur **Élevé**, ce qui est adapté à la plupart des applications. La valeur **Faible** réduit la sensibilité d'environ 50 %. Cela peut s'avérer utile lorsque l'IRP détecte des mouvements en dehors de la zone souhaitée (pensez également à obstruer la lentille) et lorsque des sources de chaleur provoquent des activations inutiles.

Niveaux maximum et minimum

Vous pouvez définir la gradation maximale et minimale en réglant les niveaux maximum et minimum (chaque valeur de niveau est réglée séparément). Par défaut, ces valeurs sont définies sur **100 %** (10 V) pour le niveau maximum et **DÉSACTIVÉ** (0 V) pour le niveau minimum. En cas de réglage manuel, appuyez sur le bouton Haut ou Bas pour régler les paramètres au niveau souhaité.

Délais d'augmentation et de diminution lumineuse

Vous pouvez ajuster le délai d'augmentation lumineuse entre le niveau minimum et le niveau maximum lorsqu'un mouvement est détecté ainsi que le délai de diminution lumineuse entre le niveau maximum et le niveau minimum lorsqu'aucun mouvement n'est détecté ou que le délai de temporisation s'est écoulé. Les valeurs disponibles pour l'augmentation lumineuse sont 1 s (par défaut), 2,5 s, 5 s et 10 s. Les valeurs disponibles pour la diminution lumineuse sont 2,5 s (par défaut), 5 s, 15 s et 30 s.

NOTE: Le délai d'augmentation lumineuse sera adapté proportionnellement si le niveau de marche pré-réglé est inférieur à la valeur du niveau maximum. Par exemple, si le niveau minimum est réglé sur 0 V et le niveau maximum sur 10 V (les valeurs par défaut) et que le délai d'augmentation lumineuse est réglé sur 10 secondes, cela correspond à un volt par seconde. Si le niveau de marche pré-réglé est défini sur Dernière valeur différente de zéro et que la valeur de marche précédente était de 6 V, l'augmentation lumineuse durera alors 6 secondes puisque sa vitesse est d'un volt par seconde.

NOTE: Ces paramètres n'affectent **pas** le délai d'augmentation ou de diminution lumineuse lorsque les boutons Haut ou Bas sont utilisés pour augmenter ou réduire le niveau de luminosité. Celui-ci est toujours réglé sur 2 volts par seconde. Ainsi, le passage de 0 à 10 volts à l'aide du bouton Haut durera toujours 5 secondes.

Réglage du niveau de luminosité

Cette fonctionnalité permet de définir un seuil de luminosité qui détermine la réaction du DW-311 en fonction du niveau de luminosité ambiant. Cette fonctionnalité est uniquement disponible lorsque le DW-311 est réglé sur **MARCHE automatique**.

Il existe deux modes de réglage du niveau de luminosité. Le mode **standard** permet de définir un seuil fixe. Le charge ne seront pas **ACTIVÉES** automatiquement tant que la lumière ambiante ne sera inférieure à ce seuil.

Avec le mode **niveau de luminosité intelligent** le DW-311 définit un seuil initial. Ainsi, si la personne présente active manuellement la charge alors que le niveau de luminosité ambiant est égal ou supérieur au seuil, cela signifie qu'elle a besoin d'un éclairage plus important et, par conséquent, que le seuil est trop bas. Le DW-311 augmente alors automatiquement le seuil d'une certaine valeur afin que la charge soit activée automatiquement à un niveau de luminosité ambiante supérieur à celui défini initialement. À l'inverse, si la personne présente **COUPE** la charge après l'activation automatique, cela signifie qu'elle a besoin d'un éclairage moins important et le seuil est par conséquent réduit. Veuillez noter que la charge doit être complètement **COUPÉE** pour que le seuil soit modifié. La gradation de la charge à une luminosité inférieure ne changera pas le seuil.

Pour activer le contrôle du niveau de luminosité et régler le seuil :

1. Assurez-vous que la pièce est correctement éclairée.
2. Placez les interrupteurs DIP 6 à 9 sur la position requise pour accéder à cette fonctionnalité (↑ ↓ ↓ ↑).
3. Enfoncez puis relâchez le bouton **HAUT** afin que la DEL verte clignote deux fois si vous souhaitez sélectionner le mode **standard**. Enfoncez puis relâchez à nouveau le bouton **HAUT** afin que la DEL verte clignote trois fois si vous souhaitez sélectionner le mode **niveau de luminosité intelligent**.
4. Placez les quatre interrupteurs DIP vers le bas.
5. Éloignez-vous du capteur. Après 10 secondes, l'unité émet deux bips indiquant que le seuil est réglé. Ce seuil est enregistré même en cas de coupures d'alimentation jusqu'à ce qu'il soit à nouveau réglé ou désactivé.

Pour désactiver le contrôle du niveau de luminosité, placez les interrupteurs DIP de façon à accéder à cette fonctionnalité puis enfoncez et relâchez le bouton **BAS** jusqu'à ce que la DEL verte clignote une fois. Remplacez les quatre interrupteurs DIP vers le bas.

Mode coupure d'alimentation

Ce mode détermine le paramétrage de charge lors de la remise sous tension après une coupure d'alimentation. Trois paramètres peuvent être utilisés.

- **Conserver le dernier état** – La charge reprend le même état qu'avant la coupure d'alimentation (**ACTIVE** ou **COUPÉE**). Si la charge était précédemment **ACTIVE**, elle reprendra le niveau de gradation le plus récent. Si la charge était précédemment **COUPÉE**, elle demeurera **COUPÉE**. Si la charge était précédemment **ACTIVE** et que la pièce est désormais inoccupée, la charge sera **COUPÉE** une fois l'absence d'occupant détectée. Il s'agit du paramètre par défaut.
- **Mode échec activé** – La charge sera **ACTIVÉE** à 100 % une fois l'alimentation rétablie, qu'elle ait été active ou non avant la coupure d'alimentation. Si la pièce est désormais inoccupée, la charge sera **COUPÉE** une fois l'absence d'occupant détectée.
- **Mode échec coupé** – La charge demeure coupée après le rétablissement de l'alimentation.

Mode présentation / Désactiver le mode présentation

Le mode présentation est une fonctionnalité du mode **MARCHE automatique**. Lorsque le relais est **COUPÉ** manuellement, le DW maintient les lumières **ÉTEINTES** jusqu'à ce que plus aucun mouvement ne soit détecté pendant la durée de la temporisation. Si une présence est ensuite détectée, le DW **ACTIVE** la charge. Le mode présentation est activé par défaut.

Lorsque le mode présentation est désactivé et que le relais est **COUPÉ** manuellement, le capteur n'**ACTIVE** pas la charge jusqu'à ce qu'aucun mouvement ne soit détecté dans la pièce pendant 15 secondes consécutives. Une fois ce délai de temporisation écoulé, la charge sera à nouveau déclenchée avec la fonctionnalité de marche automatique. Cette fonctionnalité est destinée à être utilisée dans des pièces ou espaces où l'on séjourne temporairement comme les salles de bains et où la charge doit être **ACTIVÉE** dès qu'une présence est détectée.

Mode entretien

En mode entretien, le détecteur de mouvement et les fonctionnalités du niveau de luminosité sont temporairement désactivés. Le bouton permet toujours D'ACTIVER et de COUPER la charge.

Niveau de marche préréglé

Si la **marche automatique** est sélectionnée, la valeur de cette fonctionnalité détermine le niveau de gradation atteint par la charge lorsque celle-ci est **ACTIVÉE** par la détection d'une présence. Les valeurs disponibles sont la valeur (différente de zéro) la plus récente, 50 %, 75 % ou 100 %.

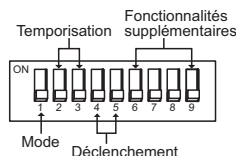
Mode sans gradation

Cette fonctionnalité modifie le fonctionnement des boutons qui deviennent de simples boutons marche / arrêt sans gradation. Le bouton HAUT **ACTIVE** la charge et le bouton BAS la **COUPE**. Cette fonctionnalité est désactivée par défaut.

Rétablir les paramètres d'usine par défaut

Maintenez le bouton Haut ou Bas **enfoncé** pendant **5 secondes**. La DEL verte clignote 3 fois pour indiquer que la réinitialisation est terminée. Remplacez les interrupteurs DIP 6 à 9 sur OFF. Cette opération réinitialise le détecteur et désactive le contrôle du niveau de luminosité (la luminosité ambiante la plus intense ne maintiendra pas les lumières **ÉTEINTES**).

RÉGLAGES DES INTERRUPTEURS DIP



Mode	
Marche manuelle	↑
Marche automatique	↓

↑=ALLUMÉ ↓=ÉTEINT

Temporisation	2	3
Test/3 min	↓	↓
5 minutes	↓	↑
15 minutes	↑	↓
30 minutes	↑	↑

Mode Déclenchement	Présence initiale		Maintien de présence		Re-déclenchement	
	4	5	4	5	4	5
Standard	Les deux	L'un ou l'autre	L'un ou l'autre	L'un ou l'autre	↓	↓
Option A	IRP	L'un ou l'autre	L'un ou l'autre	L'un ou l'autre	↓	↑
Option B	IRP	IRP	IRP	IRP	↑	↓
Option C	Les deux	Les deux	Les deux	Les deux	↑	↑

Les Valeurs Par Défaut Sont Indiquées en **Gras**

Fonctionnalités supplémentaires	6	7	8	9	Nombre de clignotements de la DEL verte
Quitter Le Mode Programmation	↓	↓	↓	↓	
Alarme Visuelle	↓	↓	↓	↑	1=ÉTEINT, 2=ALLUMÉ
Alarme Sonore	↓	↓	↑	↓	1=ALLUMÉ, 2=ÉTEINT
Passage	↓	↓	↑	↑	1=ÉTEINT, 2=ALLUMÉ
Sensibilité IRP	↓	↑	↓	↓	1=100%, 2=50%
Niveau Maximum	↓	↑	↓	↑	1=10V, 2=Réglage Manuel
Niveau Minimum	↓	↑	↑	↑	1=0V, 2=Réglage Manuel
Délai D'Augmentation Lumineuse	↓	↑	↑	↑	1=1, 2=2.5, 3=5, 4=10 secondes
Délai De Diminution Lumineuse	↑	↓	↓	↓	1=2.5, 2=5, 3=15, 4=30 secondes
Réglage Du Niveau De Luminosité	↑	↓	↓	↑	1=Désactiver, 2=Activer, 3=Niveau De Luminosité Intelligent
Mode Coupure D'Alimentation	↑	↓	↑	↓	1=Conserver Le Dernier État, 2=Marche Par Défaut, 3=Coupure Par Défaut
Mode Présentation	↑	↓	↑	↑	1=ALLUMÉ, 2=ÉTEINT
Mode Entretien	↑	↑	↓	↓	1=ÉTEINT, 2=ALLUMÉ
Niveau De Marche Préréglé	↑	↑	↓	↑	1=Dernière Valeur, 2=50%, 3=75%, 4=100%
Mode Sans Gradation	↑	↑	↑	↓	1=ÉTEINT, 2=ALLUMÉ
Rétablir Les Paramètres Par Défaut	↑	↑	↑	↑	Appuyer sur le bouton HAUT ou BAS pendant 5 secondes

DÉPANNAGE

Les lumières ne S'ALLUMENT pas lorsqu'il y a du mouvement (la DEL clignote).

1. Enfoncez puis maintenez le bouton HAUT pour vous assurer que les bonnes lumières **S'ALLUMENT**. Si les lumières ne **S'ALLUMENT PAS**, vérifiez le raccordement des fils, notamment le raccordement de la charge. Si les lumières **S'ALLUMENT**, vérifiez que le bon **mode de marche** est sélectionné à l'aide de l'interrupteur DIP 1.
2. Assurez-vous que le contrôle du niveau de luminosité est activé: couvrez la lentille du détecteur avec votre main. Si les lumières **S'ALLUMENT**, réglez le paramétrage du niveau de luminosité.
3. Si les lumières ne **S'ALLUMENT** toujours pas, appelez le +1 800 879 8585 pour obtenir une assistance technique.

Les lumières ne S'ALLUMENT pas lorsqu'il y a du mouvement (la DEL ne clignote pas).

1. Enfoncez puis maintenez le bouton HAUT pour vous assurer que les bonnes lumières **S'ALLUMENT**. Si les lumières **S'ALLUMENT**, assurez-vous que la sensibilité est réglée sur Élevé.
2. Vérifiez le raccordement des fils, notamment le raccordement de l'alimentation secteur. Vérifiez que les raccordements sont bien connectés.
3. Si les lumières ne **S'ALLUMENT** toujours pas, appelez le +1 800 879 8585 pour obtenir une assistance technique.

Les lumières ne S'ÉTEignent pas.

1. Il peut y avoir une temporisation pouvant durer jusqu'à 30 minutes après la dernière détection de mouvement. Afin de contrôler le bon fonctionnement, placez les interrupteurs 2 et 3 sur **OFF** pour activer le mode test. Placez-vous hors de portée du détecteur. Les lumières devraient **S'ÉTEINDRE** au bout de 10 secondes environ.
2. Assurez-vous que le capteur est monté à au moins 2 mètres (six pieds) de tout appareil de chauffage / ventilation / climatisation susceptible d'induire une fausse détection. Assurez-vous qu'aucune source de chaleur importante (ampoule de forte intensité, par exemple) ne se trouve à proximité du détecteur.
3. Si les lumières ne **S'ÉTEignent** toujours pas, appelez le +1 800 879 8585 pour obtenir une assistance technique.

Détection de mouvements au-delà de la zone souhaitée

1. Masquez la lentille du capteur IRP pour éliminer les zones de portée non souhaitées.
2. Sélectionnez la sensibilité IRP. Consultez les sections **Réglage de la sensibilité IRP** et **Paramétrage des interrupteurs DIP**.

La DEL rouge est constamment ÉTEINTE et les fonctionnalités du détecteur sont inopérantes.

1. Vérifiez le paramétrage du mode entretien pour voir s'il est **ACTIVÉ**. Le cas échéant, **DÉSACTIVEZ-le**. Vérifiez également le paramétrage de la fonctionnalité de temporisation. Consultez la section dédiée au **Paramétrage des interrupteurs DIP**.
2. Si le problème persiste, contactez l'assistance technique.

PLAQUES

Les interrupteurs muraux de la série DW de WattStopper peuvent être montés derrière des plaques d'interrupteur standard de style Decorator. Les plaques ne sont pas inclus.

Les unités sont disponibles dans les couleurs suivantes, indiquées par le suffixe final du numéro de référence (montré ici entre parenthèses):

- Blanc (-W)
- Gris (-G)
- Ivoire (-I)
- Amande claire (-LA)
- Noir (-B)
- Rouge (-R)

INSTRUCCIONES EN ESPAÑOL

DESCRIPCIÓN DE LA UNIDAD

Los sensores del interruptor de pared de múltiples vías con tecnología doble DW combinan las tecnologías infrarroja pasiva (PIR) avanzada y la ultrasónica en una sola unidad. Estas tecnologías combinadas ayudan a eliminar las falsas activaciones, incluso en aplicaciones difíciles.

- El sensor DW dispone de la opción para múltiples vías en todos los modelos.
- El modo de "recorrido" puede apagar las luces después de solo 3 minutos si no se detecta actividad después de 30 segundos de una detección de ocupación.
- El DW-311 tiene un relé con capacidad de control de regulación y dos botones que permiten el control de regulación.
- Los sensores DW contienen un sensor de nivel de luz. En caso de haber luz de día adecuada, el sensor mantiene la carga **Apagada** hasta que cae el nivel de luz, aun cuando el área está ocupada. Consulte la sección de **Ajuste de nivel de luz**.
- En caso de pérdida de energía normal al DW-311, se abrirá el control de atenuación 0-10V. Cualquier luz alimentada con un circuito separado pero controlado por la señal de 0-10 V de la unidad irá al 100%.

ESPECIFICACIONES

Voltajes:

DW-311	120/277 V CA, 50/60 Hz
DW-311-347	347 V CA, 50/60 Hz

Límites de carga:

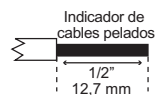
A 120 V CA.....	balasto de tungsteno de 1000 W, balasto electrónico, LED, 1/4 HP
A 277 V CA	balasto de 1200 W, balasto electrónico, LED, 1/4 HP
A 347 V CA.....	balasto de 1500 W, LED, 1/4 HP
Ajuste del tiempo de demora.....	De 3 a 30 minutos
Modo de recorrido	3 minutos si no hay actividad después de 30 segundos
Modo de prueba	10 minutos con 10 segundos de tiempo de demora
Ajuste PIR	Alto o bajo
Ajuste ultrasónico	Mínimo a Máximo (potenciómetro), apagado
Alertas	Seleccionable audible y visual
Capacidad de múltiples vías	Todos los modelos
Par de torsión del terminal	16 lbf-in (18 kgf-cm)
Corte alto.....	.6 a 10 V
Corte bajo.....	0 a 4 V
Aumento	1 a 10 segundos
Atenuación2,5 a 30 segundos

INSTALACIÓN

1. Asegúrese de haber apagado la energía en el disyuntor.
2. Conecte los cables a los conductores volantes del DW como se muestra en el diagrama de cableado apropiado para el modelo DW y el suministro eléctrico. **El cable a tierra (verde) debe ajustarse a tierra para que el sensor funcione correctamente.**
3. Adjunte el sensor a la caja de la pared mediante la inserción de tornillos en los dos orificios grandes que se encuentran en la parte superior e inferior del soporte metálico adjunto. Únalos con los orificios en la caja de pared y ajústelos. **No use fuerza excesiva al instalar el sensor en la caja de pared.** De lo contrario, puede doblar el soporte de montaje, lo que puede afectar el funcionamiento del botón. Únalos con los orificios en la caja de pared y ajústelos.
4. Coloque el disyuntor en posición de **Encendido**. Espere un minuto; luego, presione el interruptor **automático de Encendido/Apagado** y las luces se **encenderán**. Hay una demora debido al encendido inicial del sensor que solamente ocurre durante la instalación.
5. Pruebe y ajuste el sensor si es necesario.
6. Instale la placa de cubierta decoradora del interruptor de pared estándar de la industria (no está incluida).

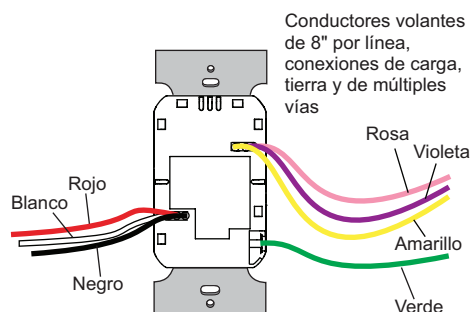
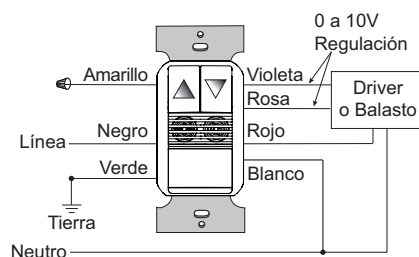
ADVERTENCIA: DESCONECTE LA ALIMENTACIÓN EN EL DISYUNTOR ANTES DEL CABLEADO.

Calibre AWG N.º 12 – 14



Cable de cobre únicamente

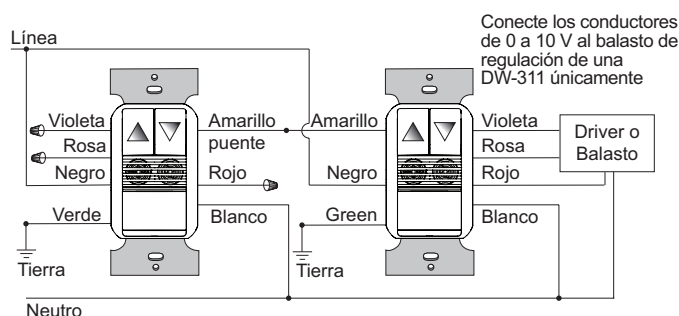
Cableado de DW-311 y DW-311-347



NOTA: Según UL, el color del cable de atenuación negativa de 0-10 V ha cambiado de gris a rosa.

Advertencia: Conectar a tierra los cables Violeta y Rosa puede dañar la unidad. No aplique potencia al sensor hasta que **TODOS** los cables estén conectados o tapados si el controlador va a instalarse en el futuro.

Cableado típico de múltiples vías
(DW-311 o DW-311-347 – hasta 4 sensores)



MÚLTIPLES VÍAS

La funcionalidad de múltiples vías está disponible en todos los modelos. Los sensores pueden cablearse fácilmente en conjunto para un control conveniente de la carga común. Cuando cablee de esta manera, solo utilice sensores de la serie DW-311. La función de múltiples vías en la serie DW-311 no es compatible con los modelos anteriores del sensor.

En el modo de múltiples vías, se aplican los siguientes principios:

- Todas las unidades deben estar en la misma fase.
- Todas las unidades pueden sentir los eventos del botón pulsador de las otras y responder en forma acorde.
- Todas las unidades pueden sentir el evento de activación de PIR de las otras. La respuesta quedará determinada por la configuración del nivel de luz y/o las condiciones del espacio del sensor de detección.
- El tiempo de demora para todas las unidades está definido por la unidad con el menor tiempo de demora.
- Todas las unidades pueden sentir los eventos de regulación de las otras y responder en forma acorde.

DIAGRAMAS DE COBERTURA

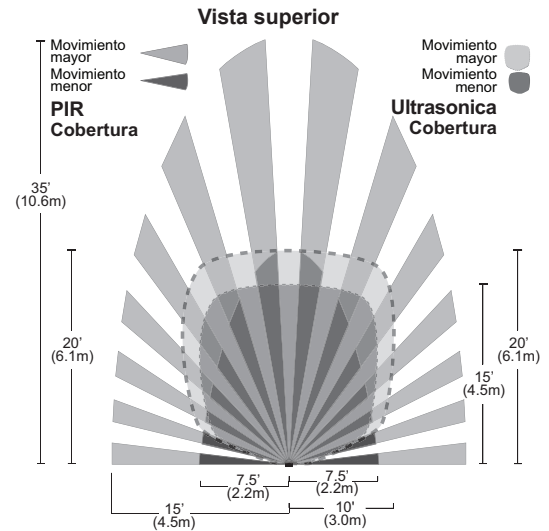
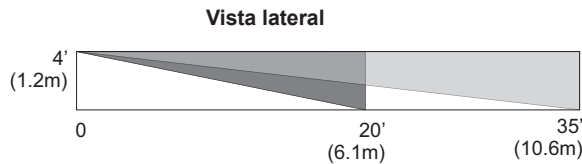
La prueba de cobertura se realizó de acuerdo con los lineamientos NEMA WD 7. Para un mejor desempeño, utilícelo en espacios no superiores a 4,5 x 3,6 m (15' x 12').

Sensor del PIR

El sensor tiene una lente Fresnel de vista multicelular de dos niveles con un campo visual de 180 grados. El LED rojo en el sensor se enciende intermitentemente cuando el PIR detecta movimiento.

Cómo enmascarar una lente

Se proporciona una cinta adhesiva opaca para que se puedan enmascarar secciones de las lentes del PIR. Esto le permite eliminar la cobertura en áreas no deseadas. Dado que el enmascaramiento quita franjas de cobertura, téngalo en cuenta cuando intente resolver problemas de cobertura.



FUNCIONES DE LOS BOTONES

Al presionar y mantener el botón Arriba se aumentarán las luces al máximo nivel según lo determinado por el ajuste de corte alto. Al presionar y mantener el botón Abajo se regularán las luces al mínimo nivel según lo determinado por el ajuste de corte bajo. Consulte **Funciones de programas adicionales** para obtener detalles de ajuste del corte.

Al tocar el botón Arriba cuando la carga se encuentra Apagada se ajusta la carga en el último valor distinto de cero. Al tocar el botón Arriba cuando la carga se encuentra Encendida se ajusta la carga en el valor máximo (corte alto). Al tocar el botón Arriba dos veces cuando la carga se encuentra Apagada se ajusta la carga en su valor máximo (corte alto). Al tocar el botón Abajo cuando la carga está Encendida, la carga se apaga.

Reinicio: En el modo de encendido automático, después de que la carga se apaga, la detección mediante la tecnología seleccionada dentro de 5 segundos enciende las luces nuevamente. Si la carga fue configurada en encendido manual, el tiempo de reinicio es de 30 segundos.

AJUSTE DEL SENSOR Y ACCESO A OTRAS FUNCIONES

Quite la placa de la pared. Quite la tapa del botón apretando firmemente los laterales superiores del conjunto del botón. Con cuidado, retírela de la unidad.

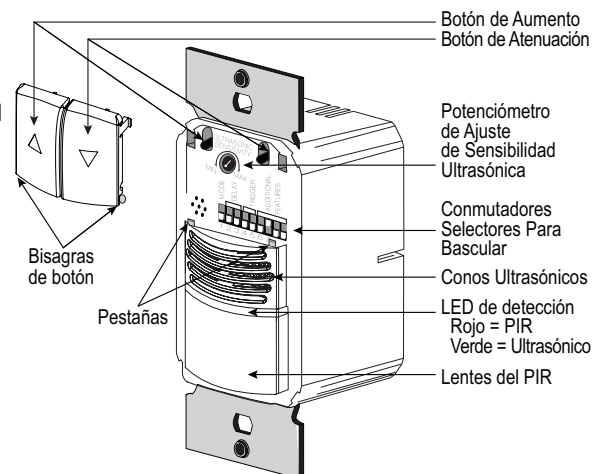
Cuando se completen los ajustes, vuelva a colocar la tapa del botón insertando sus bisagras en las pestañas de la unidad principal y, luego, apriete la parte superior del botón mientras lo presiona hacia la unidad. Vuelva a instalar la placa de cubierta.

Encendido de carga (Modo de encendido)

El relé está programado tanto para **Encendido automático** como para el **Encendido manual**. En cualquiera de los modos, la carga se puede **encender** o **apagar** mediante los botones arriba y abajo.

Encendido manual

Con el conmutador selector para bascular 1 en la posición de **encendido**, el ocupante debe presionar los botones **Arriba** para **Encender** la carga. El sensor mantiene la carga **encendida** hasta que no se detecta movimiento durante la demora de tiempo seleccionada. Hay una demora de 30 segundos de reinicio. Si se detecta ocupación durante la demora, el sensor vuelve a colocar la carga en posición de **Encendido**. Después de transcurrida la demora de reinicio, se debe presionar los botones **Arriba** para **encender** la carga.



Encendido automático

Con el conmutador selector para bascular 1 en la posición de **Apagado**, la carga se **enciende** y se **apaga** automáticamente según la ocupación. Hay una demora de 5 segundos de reinicio. Si la carga se **apaga** manualmente, se aplica la operación del ajuste activar/desactivar en modo de presentación. Consulte **Modo de presentación/Desactivar el modo de presentación** para obtener más detalles.

Demoras de tiempo

El sensor DW mantiene la carga **encendida** hasta que no se detecta movimiento durante la demora de tiempo seleccionada. Selecciona el tiempo de demora mediante las configuraciones de los conmutadores selectores para bascular 2 y 3. Los tiempos de demora disponibles son de 3, 5, 15, y 30 minutos.

Cuando configura ambos conmutadores selectores para bascular en la posición de **Apagado**, el DW-311 entra en modo de prueba, y la demora se ajusta en un tiempo de demora corto de solo 10 segundos. Después de 10 minutos, el modo de prueba se cancela y la demora se revierte a 3 minutos. O, si selecciona un valor diferente tanto para los dos conmutadores selectores para bascular de tiempo de demora, el modo de prueba se cancela de inmediato y la demora se ajusta al tiempo especificado por los valores del conmutador selector para bascular. Al mover ambos conmutadores a la posición de **Apagado** se reinicia el modo de prueba. Consulte **CONFIGURACIÓN DEL CONMUTADOR SELECTOR PARA BASCULAR** para obtener los valores de configuración específicos.

Modo de activación

El sensor DW tiene cuatro opciones para los activadores de ocupación, configuradas con los interruptores DIP 4 y 5. Determine la opción adecuada usando la matriz de activación.

En la tabla de configuración del conmutador selector para bascular en modo de activación, para considerar el área como ocupada:

- Se requiere detección de movimiento tanto en el PIR y el ultrasónico.
- Se requiere detección de movimiento en solo una tecnología.
- PIR requiere detección de movimiento en el PIR.

Ocupación inicial: El método que activa un cambio de “Espera” (área sin ocupar y sin carga) a “Ocupado” (el área está ocupada y pueden encenderse la carga).

Mantener ocupación: El método que indica que el área aún está ocupada, y las luces deberían permanecer encendidas.

Reinicio: En el modo de encendido automático, después de que la carga se apaga, la detección mediante la tecnología seleccionada dentro de 5 segundos enciende las luces nuevamente. Si la carga fue configurada en encendido manual, el tiempo de reinicio es de 30 segundos.

FUNCIONES PROGRAMABLES ADICIONALES

Los conmutadores selectores para bascular 6 a 9 proveen acceso a varias funciones adicionales. Cada función se selecciona eligiendo una combinación única de los conmutadores selectores para bascular. Una vez que seleccione los valores específicos, el LED rojo parpadea para indicar que se encuentra en el modo de configuración. Mientras se encuentre en el modo de configuración, el LED verde parpadeará de manera distintiva —una vez, dos veces, tres veces o cuatro veces— para indicar el valor actual para esa función.

Para cambiar la configuración actual de la función seleccionada, **presione y mantenga presionados los botones de Arriba o Abajo**. El valor actual para la función avanzará al valor más alto o más bajo siguiente disponible. Por ejemplo, si el LED verde parpadea una vez, si presiona y suelta el botón **Arriba** una vez, parpadeará dos veces. Si presiona y suelta el botón **Arriba** otra vez, pardeará tres veces. Presione y suelte el botón **Abajo** para seleccionar un valor de parpadeo más bajo.

NOTE: Para las funciones de **Corte alto y bajo, presione y mantenga presionados los botones Arriba o Abajo** hasta que la luz se encuentre en el nivel de corte deseado. La función de **Ajuste de nivel de luz** tiene su propio método específico para cambiar el valor. Consulte esa sección para obtener más detalles.

Una vez que la programación esté completa, restablezca los cuatro conmutadores selectores para bascular al valor **Apagado**. El DW-311 sale del modo de configuración, guarda los valores actuales para cada función, y vuelve al funcionamiento normal. Los valores guardados se recuerdan en caso de una pérdida de energía.

NOTE: Después de 10 minutos, el DW-311 saldrá del modo de configuración incluso si los cuatro conmutadores selectores para bascular no vuelven al valor de Apagado. Esto previene que el DW-311 quede en modo de configuración accidentalmente. En este caso, no se guardará ningún cambio y la unidad se revertirá a la configuración previa.

A continuación, hay una descripción de las funciones programables adicionales. Consulte la sección **AJUSTES DEL CONMUTADOR SELECTOR PARA BASCULAR**, para obtener una tabla que muestra las combinaciones del interruptor para cada función, además de los valores específicos indicados por el LED verde intermitente.

Alertas

El sensor DW puede proporcionar alertas audibles y/o visibles como advertencias antes de que la carga se apague. De manera predeterminada, el sensor viene configurado con alerta visible desactivada y alerta audio activada.

Alerta visible

Cuando solamente queda un minuto de tiempo de demora, la carga conectada al relé se apaga por un segundo. Esto produce una advertencia de un minuto antes de que las cargas se apaguen por el sensor.

Alerta audible

La unidad emitirá una señal sonora después de 1 minuto, después de 30 segundos y 10 segundos antes de apagar la carga. Cuando se activa el modo de recorrido, la unidad emite una señal sonora tres veces a los 10 segundos antes de que la carga se apague.

NOTE: Si la alerta visible también está activada, la señal sonora de advertencia que se emite al minuto de terminarse el tiempo es reemplazada por una alerta visible.

Recorrido

El modo de recorrido acorta el tiempo de demora para reducir la cantidad de tiempo en que la carga está **encendida** después de un breve momento de ocupación como, por ejemplo, volver a la oficina para buscar algo que se olvidó y salir inmediatamente. Si el modo de recorrido se **enciende**, el sensor DW **apaga** la carga tres minutos después de que el área esté inicialmente ocupada, si no se detecta movimiento después de 30 segundos. Si el movimiento continúa por más de 30 segundos, se aplica el tiempo de demora establecido. De manera predeterminada, el sensor viene configurado con el modo de recorrido **desactivado**.

Ajuste de sensibilidad infrarroja pasiva (PIR)

El sensor DW monitorea constantemente el entorno controlado y ajusta automáticamente el PIR para evitar las condiciones ambientales comunes que pueden causar falsas detecciones, al tiempo que proporciona una máxima cobertura. También puede seleccionar manualmente un valor de sensibilidad. El ajuste predeterminado es **Alto**, que puede ser adecuado para la mayoría de las aplicaciones. Un valor **Bajo** reduce la sensibilidad en aproximadamente un 50 %. Esto es útil en casos donde el PIR detecta movimiento fuera del área deseada (también puede abordar esto enmascarando el lente) y donde las fuentes de calor causan una activación innecesaria.

Corte alto y bajo

Puede ajustar las cantidades máximas y mínimas de regulación ajustando el corte alto y bajo (cada valor de corte se ajusta por separado). De manera predeterminada, los valores están configurados en **100 % (10V)** para corte alto y **desactivado (0V)** para corte bajo. Si se configura en ajuste manual, presione los botones Arriba o Abajo para establecer los parámetros en el nivel deseado.

Tiempo de aumento y de atenuación

Puede ajustar la cantidad de tiempo que toma el Aumento del valor de corte bajo al valor de corte alto cuando se detecta movimiento, o de Atenuación de corte alto a corte bajo después de que no se detecte movimiento y haya expirado el tiempo de demora. Los valores disponibles de aumento son 1 (predeterminado), 2½, 5, y 10 segundos. Los valores disponibles para la atenuación son 2½ (predeterminado), 5, 15, y 30 segundos.

NOTE: El tiempo de aumento tendrá la escala correcta si el nivel de encendido predeterminado es menor a la cantidad de corte alto. Por ejemplo, si el corte bajo está configurado en 0V y el corte alto está configurado en 10V (los valores predeterminados) y el tiempo de aumento está configurado en 10 segundos, es decir, un voltio por segundo. Si el nivel de encendido predeterminado está configurado en un valor distinto de cero y el valor de encendido fue previamente configurado en 6V, tomará 6 segundos para aumentar, debido a que es de un voltio por segundo.

NOTE: Estos parámetros **no** afectan el tiempo de aumento o de atenuación al presionar los botones Arriba o Abajo para incrementar o disminuir el nivel de luz. En cambio, este se encuentra siempre configurado en 2 voltios por segundo. Por lo que ir de 0 a 10 voltios al presionar el botón Arriba tomará siempre 5 segundos.

Ajuste de nivel de luz

Esta función siempre le permite configurar un nivel de luz mínimo, que determina cómo responderá el DW-311 basándose en el nivel de luz ambiente. Esta función está disponible únicamente cuando el DW-311 se configura en **Encendido automático**.

Hay dos modos de ajuste de nivel de luz. En el modo **Estándar**, se establece un nivel mínimo fijo. La carga no volverán a **encenderse** automáticamente hasta que la luz ambiente disminuya por debajo del nivel mínimo.

En el modo **Nivel de luz inteligente**, el DW-311 establece un nivel mínimo inicial. Luego, si el ocupante vuelve a encender la carga manualmente cuando el nivel de luz actual se encuentra en el nivel mínimo o por encima de este, significa que el ocupante requiere más iluminación y, por lo tanto, el nivel mínimo de corriente es demasiado bajo. El DW-311 incrementará automáticamente el nivel mínimo a la cantidad específica (para que la carga vuelva a encenderse automáticamente a un nivel de luz ambiente más alto que el original). Al contrario, si el ocupante **apaga** la carga después de que se haya encendido automáticamente, el ocupante requiere menos iluminación y, por lo tanto, el nivel mínimo es más bajo. Tenga en cuenta que la carga debe estar completamente **desactivada** para que el nivel mínimo cambie; regular la carga a una cantidad más baja de luz no cambiará el nivel mínimo.

Para activar el control de nivel de luz y configurar el nivel mínimo:

1. Asegúrese de que la habitación esté correctamente iluminada.
2. Configure los conmutadores selectores para bascular 6 a 9 en la posición necesaria para acceder a esta función (Arriba, Abajo, Arriba).
3. Presione y suelte el botón **Arriba**, para que el LED verde parpadee dos veces, si selecciona el modo **Estándar**. Presione y suelte el botón **Arriba**, para que el LED verde parpadee tres veces, si selecciona el modo **Nivel de luz inteligente**.
4. Configure los cuatro conmutadores selectores para bascular para que se encuentren en la posición baja.
5. Aléjese del sensor. Después de 10 segundos, la unidad hará una señal sonora indicando que el nivel mínimo está configurado. Este nivel mínimo se guarda, aun cuando se corta la energía, hasta que se vuelve a configurar o se lo desactiva.

Para desactivar el control de nivel de luz, configure los conmutadores selectores para bascular para acceder a esta función; luego, presione y suelte el botón **Abajo** hasta que el LED verde parpadee una vez. Vuelva a colocar los conmutadores selectores para bascular para que se encuentren en la posición baja.

Modo de pérdida de energía

Este modo determina cómo se configurarán la carga cuando se reanude la alimentación después de una pérdida de energía. Hay tres configuraciones posibles.

- **Mantener el último estado:** la carga vuelve al mismo estado en el que se encontraba antes de la falla de energía (**Encendido** o **Apagado**). Si estaba previamente **Encendida**, la carga regresará al nivel de regulación más reciente, y si estaba previamente **Apagada**, permanecerá **Apagada**. Si la carga estaba previamente **Encendida** y la habitación ahora no se encuentra ocupada, la carga volverá a estar **Apagada** una vez que se detecte el vacío. Este es el valor predeterminado.
- **Falló el encendido:** la carga se **encenderá** en un nivel de 100 % después de que se restaure la alimentación, sin importar si la carga estaba encendida o apagada antes de la pérdida de energía. Si la habitación ahora no está ocupada, la carga se **apagará** una vez que se detecte el vacío.
- **Falló el apagado:** la carga permanece apagada después de que se restaura la alimentación.

Modo de presentación/Desactivar el modo de presentación

El modo de presentación es una función del modo de **Encendido automático**. Cuando el relé se **apaga** manualmente, el DW mantiene las luces **apagadas** hasta que no se detecta ningún movimiento durante el tiempo de demora. Con la ocupación subsiguiente, el DW **enciende** la carga. El modo de presentación está activado de manera predeterminada.

Cuando se desactiva el modo de presentación y el relé se **apaga** manualmente, el sensor no volverá a **encender** la carga hasta que la habitación esté vacía durante un período de 15 segundos. Siguiendo un tiempo de demora de 15 segundos, la carga volverá a la funcionalidad del encendido automático. Esta función está destinada a un uso en espacios transitorios o habitaciones como baños, en donde siempre desea que la carga se **enciendan** apenas se detecta ocupación.

Modo de servicio

En el modo de servicio, el sensor de ocupación y las funciones de nivel de luz se desactivan de manera temporal. El botón seguirá encendiendo y apagando la carga.

Nivel preestablecido activado

Si se selecciona el **Encendido automático**, el valor de esta función determina el nivel de regulación que la carga tendrá cuando se **active** por detección de ocupación. Los valores disponibles son la cantidad (predeterminada) más reciente (diferente de cero), 50 %, 75 % o 100 %.

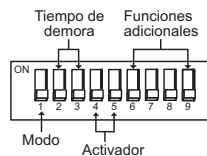
Modo de regulación apagada

Esta función cambia los botones para que funcionen como simples conmutadores de encendido o apagado, sin regulación. El botón Arriba **enciende** la carga y el botón Abajo la **apaga**. Esta función está activada de manera predeterminada.

Restablecer el valor predeterminado de fábrica

Presione y mantenga presionado el botón Arriba o Abajo durante **5 segundos**. El LED verde titilará 3 veces para indicar que el restablecimiento está completo. Vuelva los conmutadores selectores para bascular 6 a 9 al estado de apagado. Esto vuelve a configurar el sensor y deshabilita el control de nivel de luz (la luz ambiente más brillante no mantendrá la luz **Apagada**).

CONFIGURACIÓN DEL CONMUTADOR SELECTOR PARA BASCULAR



Mode	
Encendido manual	↑
Encendido automático	↓

↑=ENCENDIDO ↓=APAGADO

Tiempo de demora	2	3
Prueba/3 min	↓	↓
5 minutos	↓	↑
15 minutos	↑	↓
30 minutos	↑	↑

Modo de Activación	Funciones adicionales			4	5
	Ocupación inicial	Mantener ocupación	Reinicio		
Estándar	Ambas	Cualquiera	Cualquiera	↓	↓
Opción A	PIR	Cualquiera	Cualquiera	↓	↑
Opción B	PIR	PIR	PIR	↑	↓
Opción C	Ambas	Ambas	Ambas	↑	↑

Los Valores Predeterminados se Muestran en **Negrita**

Funciones adicionales	6	7	8	9	LED verde – Número de parpadeos
Salir del Modo de Programación	↓	↓	↓	↓	
Alerta visual	↓	↓	↓	↑	1=APAGADO , 2=ENCENDIDO
Alerta de Audio	↓	↓	↑	↓	1=ENCENDIDO , 2=APAGADO
Recorrido	↓	↓	↑	↑	
Sensibilidad de PIR	↓	↑	↓	↓	1=100% , 2=50%
Corte alto	↓	↑	↑	↑	1=10V , 2=Ajuste manual
Corte bajo	↑	↑	↓	↓	1=0V , 2=Ajuste manual
Tiempo de aumento	↓	↑	↑	↑	1=1 , 2=2.5, 3=5, 4=10 segundos
Tiempo de atenuación	↑	↓	↓	↓	1=2.5 , 2=5, 3=15, 4=30 segundos
Ajuste de nivel de luz	↑	↓	↓	↑	1=Desactivar , 2=Activar 3=Nivel de luz inteligente
Modo de pérdida de energía	↑	↓	↑	↓	1=Mantener último estado , 2=Falló el encendido, 3=Falló el apagado
Modo de presentación	↑	↓	↑	↑	1=ENCENDIDO , 2=APAGADO
Modo de servicio	↑	↑	↓	↓	1=APAGADO , 2=ENCENDIDO
Nivel preestablecido activado	↑	↑	↓	↑	1= Último valor diferente de cero , 2=50%, 3=75%, 4=100%
Modo de regulación apagada	↑	↑	↓	↓	1=APAGADO , 2=ENCENDIDO
Volver a la configuración predeterminada	↑	↑	↑	↑	Presionar y mantener los botones ARRIBA o ABAJO durante 5 segundos

SOLUCIÓN DE PROBLEMAS

Las luces no se encienden con el movimiento (el LED no destella)

1. Presione y mantenga el botón para asegurarse de que se enciendan las luces adecuadas. Si las luces **NO se encienden**, verifique las conexiones de los cables, especialmente la conexión de la carga. Si las luces se **encienden**, verifique que se haya seleccionado el **modo de encendido** correcto en el conmutador selector para bascular 1.
2. Verifique que el control de nivel de luz esté habilitado: cubra la lente del sensor con la mano. Si las luces se **encienden**, ajuste la configuración del nivel de luz.
3. Si las luces todavía no se **encienden**, llame al 800.879.8585 para obtener soporte técnico.

Las luces no se encienden con el movimiento (el LED destella)

1. Presione y mantenga el botón para asegurarse de que se enciendan las luces adecuadas. Si las luces se **encienden**, verifique que la sensibilidad esté configurada en Alta.
2. Verifique las conexiones de cables; en especial, la conexión de línea. Verifique que las conexiones estén aseguradas firmemente.
3. Si las luces todavía no se **encienden**, llame al 800.879.8585 para obtener soporte técnico.

Las luces no se apagan

1. Puede haber un tiempo de demora de hasta 30 minutos después de haber detectado el último movimiento. Para verificar el funcionamiento adecuado, configure los conmutadores 2 y 3 en **Apagado** para iniciar el modo de prueba. Aléjese de la vista del sensor. Las luces deben **apagarse** en aproximadamente 10 segundos.
2. Verifique que el sensor esté montado al menos a seis pies (2 metros) de distancia de cualquier dispositivo de aire acondicionado/ calefacción/ventilación que pueda causar una falsa detección. Verifique que no haya una fuente de calor importante (por ejemplo, bombilla de luz de alto voltaje) montada cerca del sensor.
3. Si las luces aún no se **apagan**, llame al 800.879.8585 para obtener soporte técnico.

Detección de movimiento fuera de las áreas deseadas

1. Enmascare la lente del sensor PIR para eliminar el área de cobertura no deseada.
2. Seleccione la sensibilidad PIR. Consulte el **Ajuste de sensibilidad PIR** y los **Ajustes del conmutador selector para bascular**.

El LED rojo se apaga todo el tiempo y las características del sensor no funcionan.

1. Controle dos veces la configuración del modo de servicio para ver si volvió a **encenderse**. Si esto ocurre, **desactívelo**. Verifique también la configuración de la función del tiempo de demora. Consulte la sección en **Ajuste del conmutador selector para bascular**.
2. Si el problema persiste, llame al soporte técnico.

PLACAS DE LA CUBIERTA

Los interruptores de pared serie DW de WattStopper se encajan detrás de las placas de cubierta de los interruptores con estilo de decoración estándares de la industria. No se incluyen las placas de la cubierta.

Las unidades vienen en los siguientes colores, que se indican mediante el sufijo final del número de catálogo (se muestra entre paréntesis):

Blanco (-W), Marfil (-I), Negro (-B), Almendra Clara (-LA), Gris (-G), Rojo (-R)

WARRANTY INFORMATION

Wattstopper warrants its products to be free of defects in materials and workmanship for a period of five (5) years. There are no obligations or liabilities on the part of Wattstopper for consequential damages arising out of, or in connection with, the use or performance of this product or other indirect damages with respect to loss of property, revenue or profit, or cost of removal, installation or reinstallation.

INFORMATIONS RELATIVES À LA GARANTIE

Wattstopper garantit que ses produits sont exempts de défauts de matériaux et de fabrication pour une période de cinq (5) ans. Wattstopper ne peut être tenu responsable de tout dommage consécutif causé par ou lié à l'utilisation ou à la performance de ce produit ou tout autre dommage indirect lié à la perte de propriété, de revenus, ou de profits, ou aux coûts d'enlèvement, d'installation ou de réinstallation.

INFORMACIÓN DE LA GARANTÍA

Wattstopper garantiza que sus productos están libres de defectos en materiales y mano de obra por un período de cinco (5) años. No existen obligaciones ni responsabilidades por parte de Wattstopper por daños consecuentes que se deriven o estén relacionados con el uso o el rendimiento de este producto u otros daños indirectos con respecto a la pérdida de propiedad, renta o ganancias, o al costo de extracción, instalación o reinstalación.