

## 120/277 VOLT MODULAR CONTRACTOR PANEL

| LC8

Versatile panel for simple control of indoor and outdoor lighting

Easy-to-use touchscreen interface with onscreen help

Accommodates single-pole and two-pole relay modules



Astronomic system clock with 16 schedules for flexibility

Compatible with low voltage switches, occupancy sensors and photocells

## Description

The LC8 panel provides zone-based control of up to eight channels, or zones, of interior and exterior lighting. Zones respond to control signals from the system clock, or an accessory photocell, to automatically turn lighting on and off. The LC8 panel uses interchangeable relay modules, available separately, that can be selected to suit project needs. Relay options include the LCSP-2 dual single-pole module and LCDP-1 double-pole module.

## Operation

The LC8 features a touchscreen interface for all programming and status feedback, and unique pre-programmed scenarios simplify setup. Exterior lighting can be controlled based on sunrise and sunset via the astronomic clock, or based on ambient light with an optional EM24-D2 photocell. Interior lighting can be configured for manual-on/auto-off to maximize energy savings. Accessory switches provide manual control or after-hours override in conjunction with a blink warn feature.

## Features

- Nonvolatile program memory retains all programming during power outages
- Interchangeable single-pole and double-pole relay modules
- Manual override of relays and channels via touchscreen interface
- Eight universal switch inputs for low voltage switches, occupancy sensors or other devices to directly control each relay
- Pilot light output for each switch input
- Accepts most types of switch inputs
- Compatible with LVSW-100 Series Low Voltage Switches and AS-100 Automatic Wall Switch

## System Clock

Users can setup and program the LC8 for up to 16 unique seven-day schedules, plus a holiday schedule, via the backlit touchscreen interface that offers context-sensitive on-screen help. Pre-programmed control scenarios include: schedule-and/or astronomic-on/off, or manual-on/schedule-off. Manual-on/sweep-off is available using the optional AS-100 automatic wall switch. Photocell- and/or schedule-on/off are also available with the optional EM24-D2 photocell.

## Applications

LC8 lighting control panels save energy by turning lighting off when it is not required, yet providing secure illumination when people are present. The LC8 is ideal for smaller applications with eight circuits of lighting, or less, such as small free-standing retail, library or bank buildings, or lobbies, corridors, public spaces or exteriors of larger buildings. LC8 panels integrate with a range of accessory control devices including low voltage switches, occupancy sensors or photocells to create a flexible lighting shutoff strategy.

PROJECT

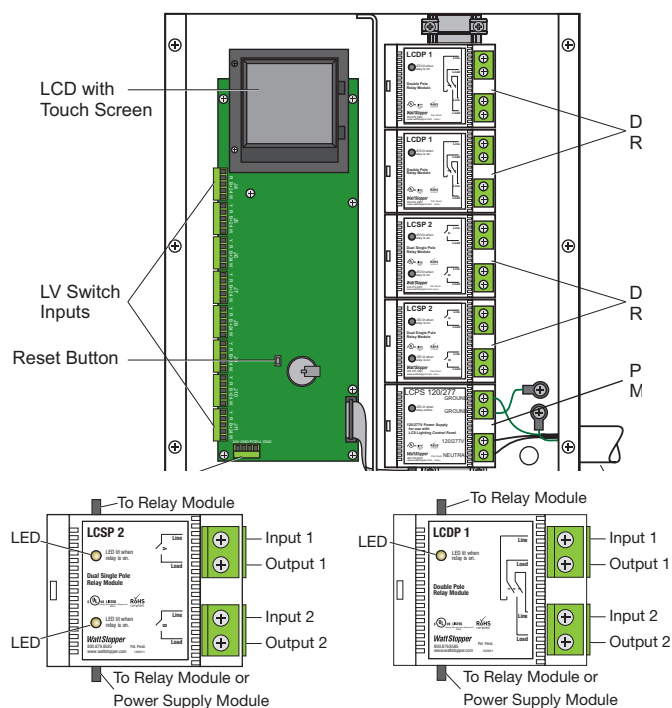
LOCATION/  
TYPE

## Specifications

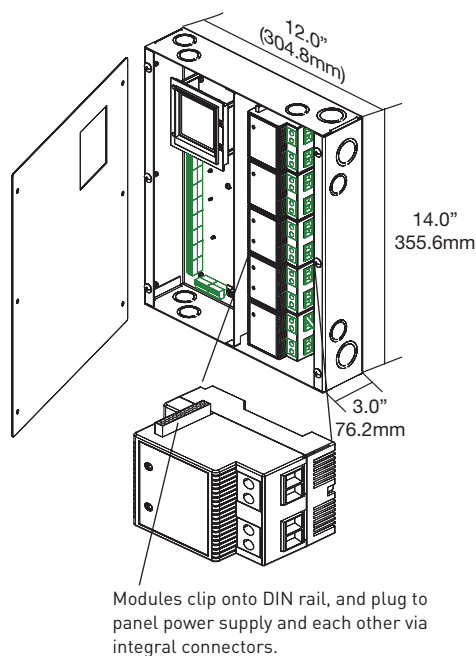
- Power input: 120/277 VAC; 50/60 Hz
- Accessory power: 500 mA at 24 VDC
- Switch inputs with screw terminals; compatible with 3-wire momentary, 2-wire momentary or maintained with pilot light output
- Relay grouping: configurable to switches through touchscreen user interface
- Panel weight: 8.1 lbs. (without relays)
- Relays: modular; dual 1-pole or single 2-pole
- Relay weight (module):
  - LCDP-1: 0.49 lbs.
  - LCSP-2: 0.37 lbs.
- LCSP-2 module relay ratings:
  - 20 amp tungsten @ 120 VAC
  - 20 amp ballast @ 120 or 277 VAC
  - 0.5 hp @ 120 VAC
- LCDP-1 module relay ratings:
  - 20 amp ballast @ 208, 240 or 480 VAC
  - 1 hp @ 208, 240 or 480 VAC
- SCCR (short circuit current rating): 14,000 amps
- Operating conditions: for indoor use only; 32–139°F (0–60°C); 5–95% RH noncondensing
- UL and CUL listed
- One year warranty

## Panel Layout & Wiring

LC8 Panel and Relay Modules



LC8 Dimensions



Modules clip onto DIN rail, and plug to panel power supply and each other via integral connectors.

Relay modules can be mixed and matched to configure the LC8 for a variety of single-pole and double-pole lighting control applications.

## Ordering Information

Catalog #	Description	Voltage
<input type="checkbox"/> LC8-120/277	LC8 panel with LCPS-120/277 volt power supply, space for 4 relay modules	120/277 VAC
<input type="checkbox"/> LCSP-2	Dual single-pole relay module, two 20 amp relays	120/277 VAC
<input type="checkbox"/> LCDP-1	Double-pole relay module, one 20 amp relay	208, 240 or 480 VAC

### Optional system enhancements:

<input type="checkbox"/> EM-24D2	Exterior photocell with integral lens shade light adjustment	24 VDC
----------------------------------	--	--------