

LED Luminaires

ProLED Lamp Ready Fixture Strip Series

- Pre-wired for 'LineConnect' Type B Double Ended LED T8 Tubes
- 4 x LED ready non-shunted sockets
- 2ft and 4ft Form Factors



Specifications

Description

The ProLED Lamp Ready Fixture Strip Series provides a cost effective solution for all general lighting upgrade projects. This fixture is pre-wired for 'LineConnect' Type B Double Ended LED T8 Tubes which allows the end user added flexibility to choose the perfect Halco T8 Linear Lamp to fit their application requirements. The ProLED Lamp Ready Fixture Strip Series is a low cost, low maintenance, easily installed fixture which will give an upgraded look and feel to your space.

Construction

- Heavy Duty Steel Housing
- Pre-wired non-shunted sockets
- White Enamel finish
- 120-277VAC

Certifications

- UL Listed
- UL Listed for Damp and Dry Locations

Ordering Information

Product SKU	Product Code	Product Description
90510	LRS2-2L-T8DE	Lamp Ready Fixture Strip 2ft 2 Lamp T8 Double End Bypass Lamp
90511	LRS4-2L-T8DE	Lamp Ready Fixture Strip 4ft 2 Lamp T8 Double End Bypass Lamp
Accessories		
90514	LRS/JB	Lamp Ready Fixture Strip Joiner Bracket

ProLED Lamp Ready Fixture Strip Series

Specifications Table

	LRS2-2L-T8DE	LRS4-2L-T8DE
Number of Lamps	2	2
Voltage	120-277VAC	
Operation	Double Ended	
Housing	Heavy Duty Steel Housing	
Weight	0.85lb	1.41lb
Dimensions	24.2" x 2.79" x 1.8"	48.3" x 2.79" x 1.8"
Operating Temperature	-20°C - '40°C	
Listings	UL for Double Ended Lamps	
Environment	UL Damp/Dry Location	
Warranty	5 years Standard	

Lamp Compatibility

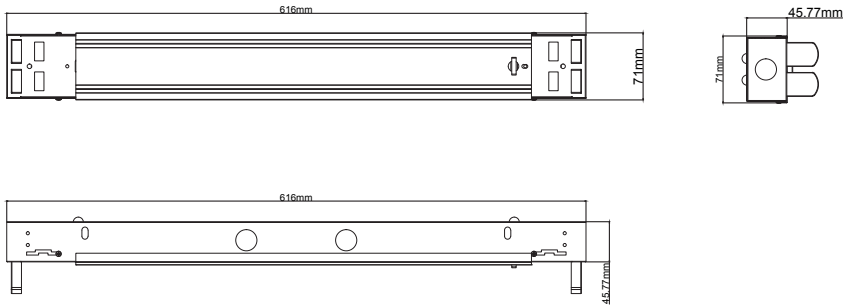
Halco Compatible T8 Lamps		
Product SKU	Product Code	Product Description
84871	T824FR7/835/BYP4/DSE/LED	T8 7W 24 Inch 3500K Double-Single Ended Bypass Type B
84872	T824FR7/840/BYP4/DSE/LED	T8 7W 24 Inch 4000K Double-Single Ended Bypass Type B
84873	T824FR7/850/BYP4/DSE/LED	T8 7W 24 Inch 5000K Double-Single Ended Bypass Type B
84874	T824FR7/865/BYP4/DSE/LED	T8 7W 24 Inch 6500K Double-Single Ended Bypass Type B
84886	T848FR12/835/BYP4/DSE/LED	T8 12W 48 Inch 3500K Double-Single Ended Bypass Type B
84887	T848FR12/840/BYP4/DSE/LED	T8 12W 48 Inch 4000K Double-Single Ended Bypass Type B
84888	T848FR12/850/BYP4/DSE/LED	T8 12W 48 Inch 5000K Double-Single Ended Bypass Type B
84889	T848FR12/865/BYP4/DSE/LED	T8 12W 48 Inch 6500K Double-Single Ended Bypass Type B

LED Luminaires

ProLED Lamp Ready Fixture Strip Series

Dimensions

2'



4'

