

## DESCRIPTION

Quickly set up temporary lighting in work or construction areas with this LED work light.

## FEATURES

- 5 LED lamp heads spaced 10' apart; each lamp is the equivalent of a 100W incandescent bulb
- Up to 8 sets can be connected together
- 18 AWG power cord with 120V plug
- Frosted lens diffuses the light for reduced glare
- Includes cover for plug
- Each fixture includes a carabineer for suspension

## LISTINGS

- ETL Listed for wet locations
- IP65
- FCC
- RoHS

## PERFORMANCE

- CRI: >80
- CCT: 5000K
- Rated Lifetime L70: >50,000 hours

## ELECTRICAL

- THD: <17%
- Power Factor: ≥ 0.9
- Surge Protection: 1kV
- Input Voltage: 120-277V

## THERMAL

- -31°F to 122°F (-35°C to 50°C) operating temperature

## CONSTRUCTION

- Polycarbonate housing with yellow finish
- Polycarbonate lens
- Built-in metal hook with spring for easy installation

## WARRANTY

- 5 year limited warranty; see [pltsolutions.com](http://pltsolutions.com) for warranty details

project name	type
catalog number	
comments	voltage
approved by	date



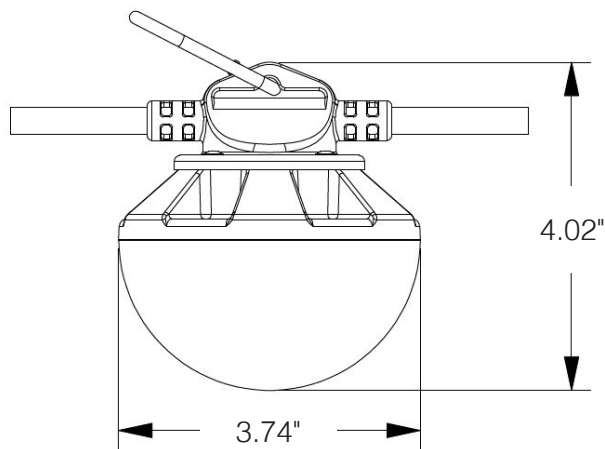
## APPLICATIONS

- New Construction or Renovation
- Maintenance or Storage Spaces
- Short-term Maintenance Projects
- Warehouses and Workshops
- Highway Toll Stations

# PERFORMANCE SUMMARY

Item #	Watts	Lumens	LPW	CRI	CCT	Beam Angle	Lens	Voltage	Replaces
PLTS-12182	10w (x5)	6000	120	>80	5000K	270°	Polycarbonate	120V	100W Incan. (x5)

## DIMENSIONS



## DIMENSIONS

### Individual Lights

Height: 4.02"

Width: 3.74"

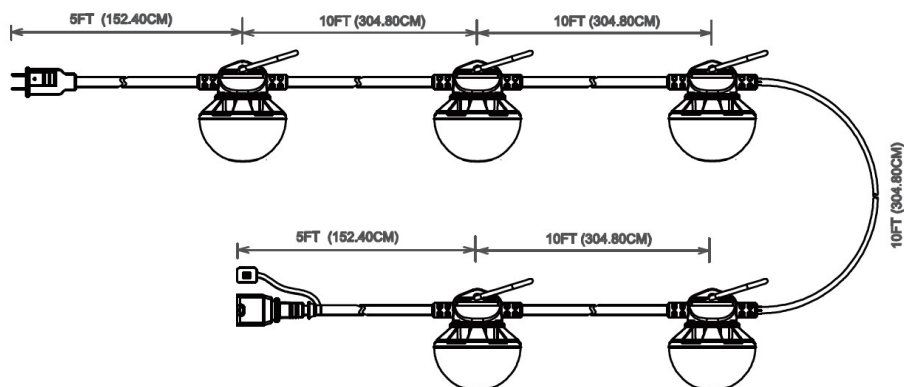
Weight: 4.10 lbs

Cord Length: 50'

Lead Length: 5'

Length Between Bulbs: 10'

Tail Length: 5'



## PHOTOMETRICS

