

## WARNING

- To reduce the risk of death, personal injury or property damage from fire, electric shock, falling parts, cuts/abrasions, and other hazards read all warnings and instructions included with and on the fixture box and all fixture labels.
- Before installing, servicing, or performing routine maintenance upon this equipment, follow these general precautions.
- Commercial installation, service and maintenance of luminaires should be performed by a qualified licensed electrician.
- For the installation: If you are unsure about the installation or maintenance of the luminaires, consult a qualified licensed electrician and check your local electrical code.
- To prevent wiring damage or abrasion, do not expose wiring to edges of sheet metal or other sharp objects.
- Do not make or alter any open holes in an enclosure of wiring or electrical components during kit installation.

## WARNING

- Turn off electrical power at fuse or circuit breaker box before wiring fixture to the power supply.
- Turn off the power when you perform any maintenance.
- Verify that supply voltage is correct by comparing it with the luminaire label information.
- All wiring connections should be capped with UL approved wire connectors.

## CAUTION

- Avoid direct eye exposure to the light source while it is on.
- Account for small parts and destroy packing material, as these may be hazardous to children.
- Risk of burn. Disconnect power and allow fixture to cool before handing fixture.

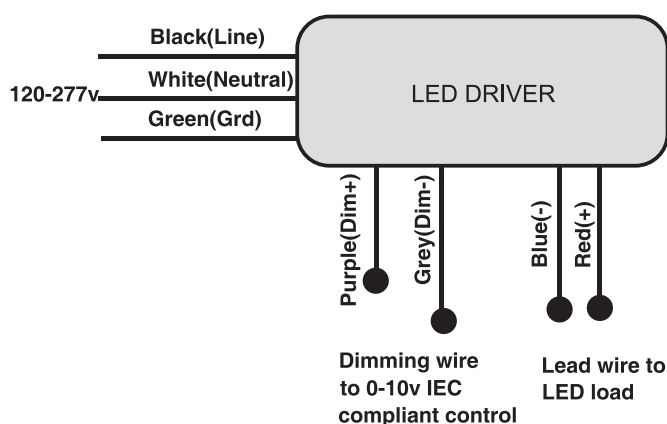
**NOTICE:** Green ground screw provided in proper location. Do not relocate.

**NOTICE:** Minimum 90°C supply conductors.

**NOTICE:** Specifications and dimensions subject to change without notice.

**NOTICE:** Suitable for Dry or Damp location.

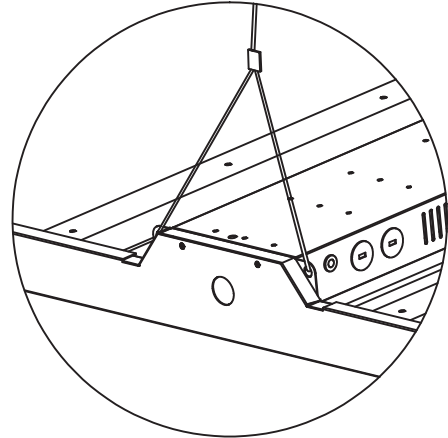
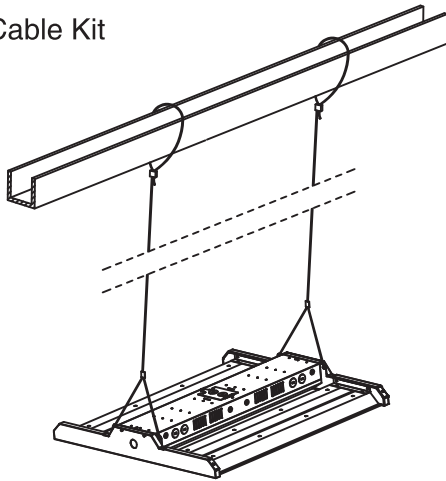
## General Wiring Diagram



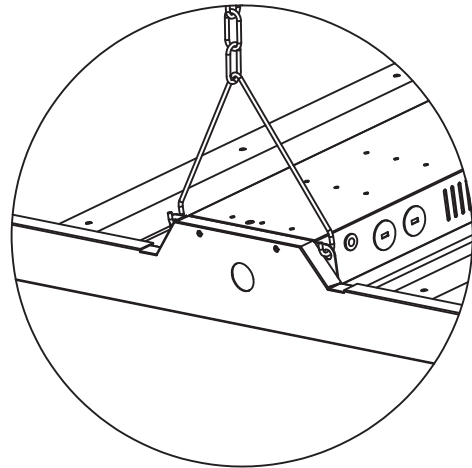
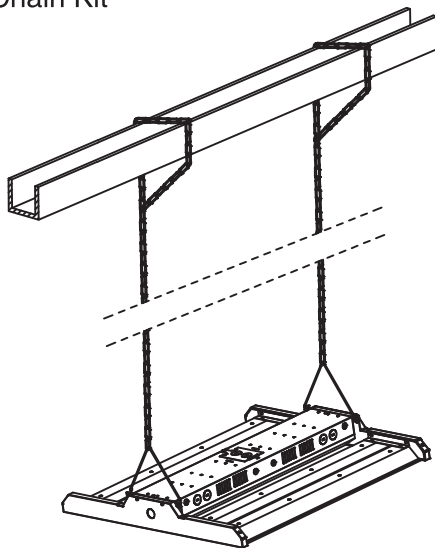
Any further questions or interests, please visit



A: Cable Kit



B: Chain Kit



## Installation Step:

**Always turn off the power supply from main circuit breaker first!**

- ◆ Remove the new LED fixture from packaging and inspect for any damages. Handle new LED fixture with care.
- ◆ CHAIN MOUNT EXAMPLE; Install the chain into the provided wire hanger. Secure the other end of the chain to a structure using hardware rated for the load. Install the wire hanger onto the side of the top high bay LED channel. Make sure the wiring hangers are fully engaged into the side holes on the top channel.
- ◆ Connect the LED high bay wiring to line wire, black to black, white to white and green to green. Use only UL listed wiring. **\*\*NOTE: Purple and grey lead inside the driver compartment are 0-10V (low voltage) dimming leads. Connect to dimming low voltage wiring only.**
- ◆ Clean all residues/fingerprints from the new LED high bay and lens. Double check all hanging hardware before moving onto the next installation.

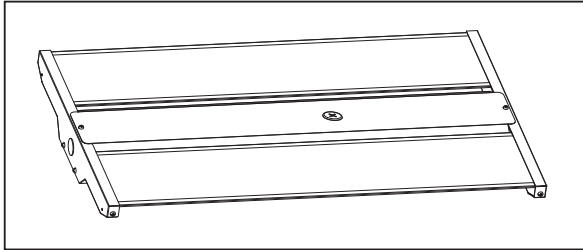


Any further questions or interests, please visit

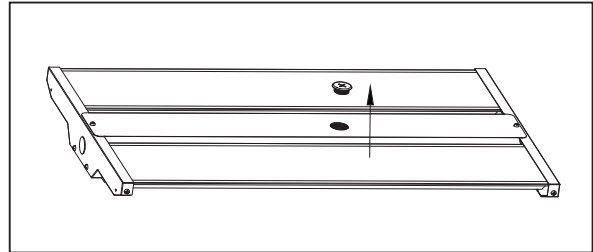
[www.pltsolutions.com](http://www.pltsolutions.com)

## Install sensor

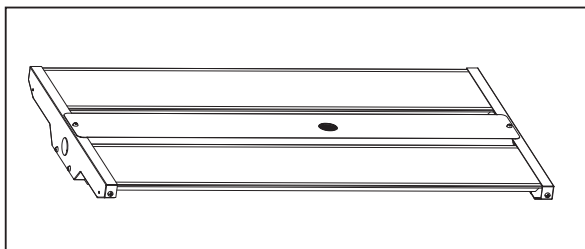
1.The installation effect of the whole lamp.



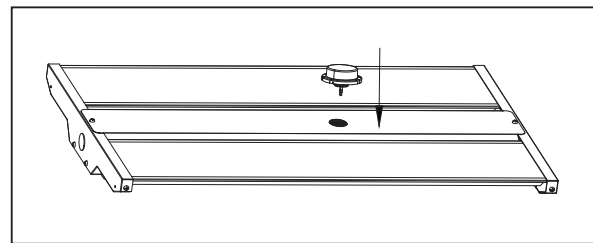
2.Remove base cover.



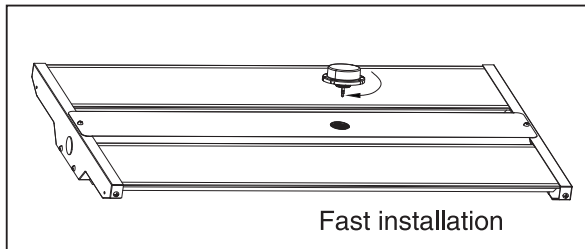
3.Exposed sensor base.



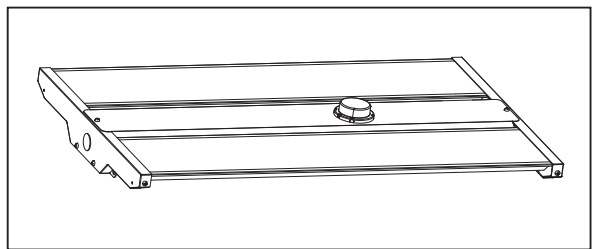
4.Install the sensor.



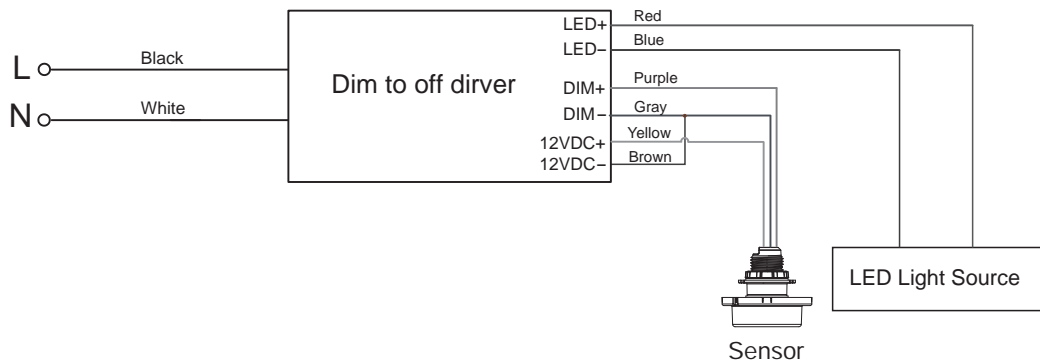
5.Turn the sensor clockwise.



6.The installation is completed.



## General Wiring Diagram



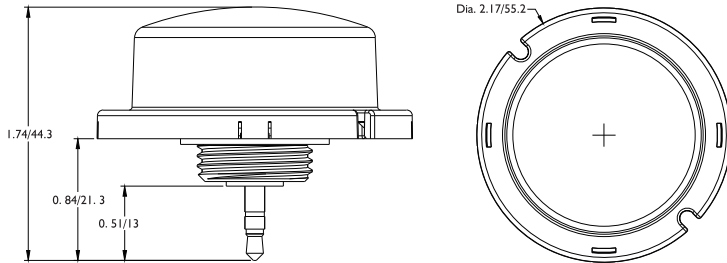
Any further questions or interests, please visit

[www.pltsolutions.com](http://www.pltsolutions.com)

**WARNING** TURN THE POWER OFF AT THE CIRCUIT BREAKER BEFORE INSTALLING THE SENSOR.  
MAXIMUM CURRENT IS 10mA WHEN OPERATE AT 32V DC.

## DIMENSION

Unit:inch/mm



## CONTROL MODES

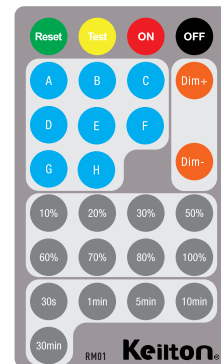
**TIME:** 30s / 1min / 5min / 10min / 30min

**DIM:** 10%-100%

**MODE:** A, B, C, D, E

**FACTORY SETTING:** TIME-10 min, DIM-50%, MODE-C

This sensor is operated and programed by a remote control. When setting the Mode, Dimming level and Delay time, the light will blink twice each time the button is pushed to indicate the setup was successful. Note: The sensor will not respond while the light is blinking. The sensor has 5 selectable modes(A-E), each of which has preset parameter settings(see below). Once desired mode is selected, you have the ability to further customize the Dim level and Delay time settings by pressing one or more of the desired gray buttons.



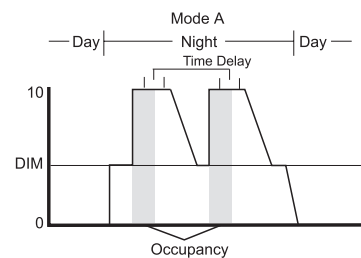
### TESTING

To verify sensor is working properly proceed with the steps below to conduct test:

1. Push "Test" button on remote controller.
2. The light will turn to full-ON while occupancy detected.
3. The light will dim to DIM level after 5s.
4. The light will turn OFF if no occupancy detected within another 3s.

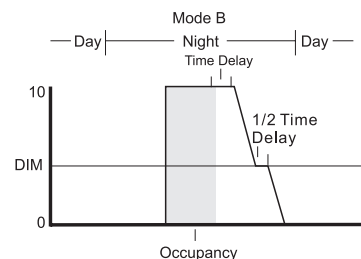
### MODE A

1. Turn OFF the light while ambient light >100 LUX.
2. Turn the light to DIM level while ambient light <100 LUX.
3. Dim the light to full-ON while occupancy detected.
4. Dim the light to DIM level after the delay time elapsed.



### MODE B

1. Turn OFF the light while ambient light >100 LUX.
2. Turn the light to full-ON while ambient light <100 LUX AND occupancy detected.
3. Dim the light to DIM level after delay time elapsed.
4. Turn OFF the light if no occupancy detected within another 1/2 TIME.

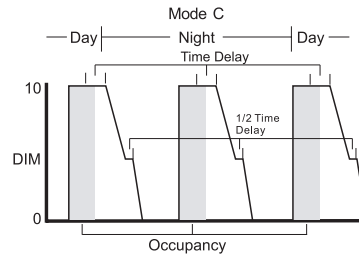


Any further questions or interests, please visit

[www.pltsolutions.com](http://www.pltsolutions.com)

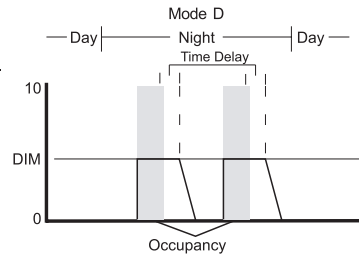
## MODE C

1. Ambient light sensor is disabled
2. Turn the light to full-ON while occupancy detected.
3. Dim the light to DIM level after delay time elapsed.
4. Turn OFF the light if no occupancy detected within another 1.5\*delay TIME.



## MODE D

1. Turn OFF the light while ambient light >100 LUX.
2. Turn the light to DIM level while ambient light <100 LUX AND occupancy detected.
3. Turn OFF the light after delay time elapsed.



## MODE E

### NOTE:

Use this mode to determine your desired dimming percentage for use in the other modes A,B,C,or D. Specifically,

1. Press the red "ON" button to turn on the remote control.
2. Press the blue "E" button for Mode E
3. Press the "30 min" button to turn the light on.
4. Press any button from "10%" to "100%" to evaluate corresponding dimming level.
5. Press the "30s" button to turn off the light during Step 4 and Step 3 evaluations.

For example,if during Mode E testing you determine that the "80%" dimming level is desired,press any button A-D for your desired mode,and then press"80%" to select your desired dimming level.

### REMINDER:

One remote control (sold separately) can only control one fixture at one time:

Aim the remote at the fixture you wish to adjust, then target another fixture when you want to adjust or control another fixture.

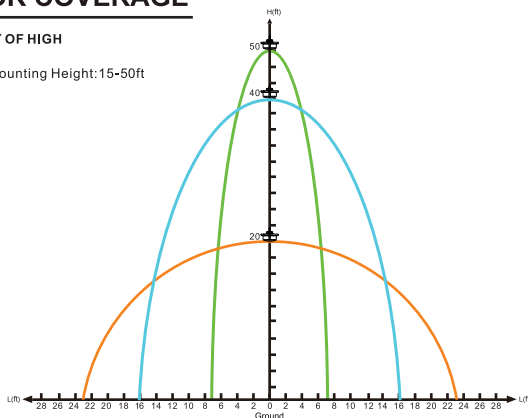
One remote control can control many fixtures,no limit.

The remote needs to be less than 10 meters (or 33 feet) from the sensor / fixture to be adjusted or controlled,ultraviolet rays will affect the distance of remote control.

## SENSOR COVERAGE

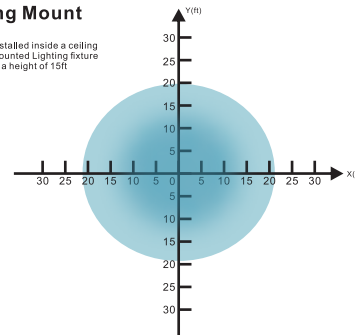
### SENSITIVITY OF HIGH

Suggested Mounting Height:15-50ft



### Ceiling Mount

Installed inside a ceiling mounted Lighting fixture at a height of 15ft



Any further questions or interests, please visit

[www.pltsolutions.com](http://www.pltsolutions.com)